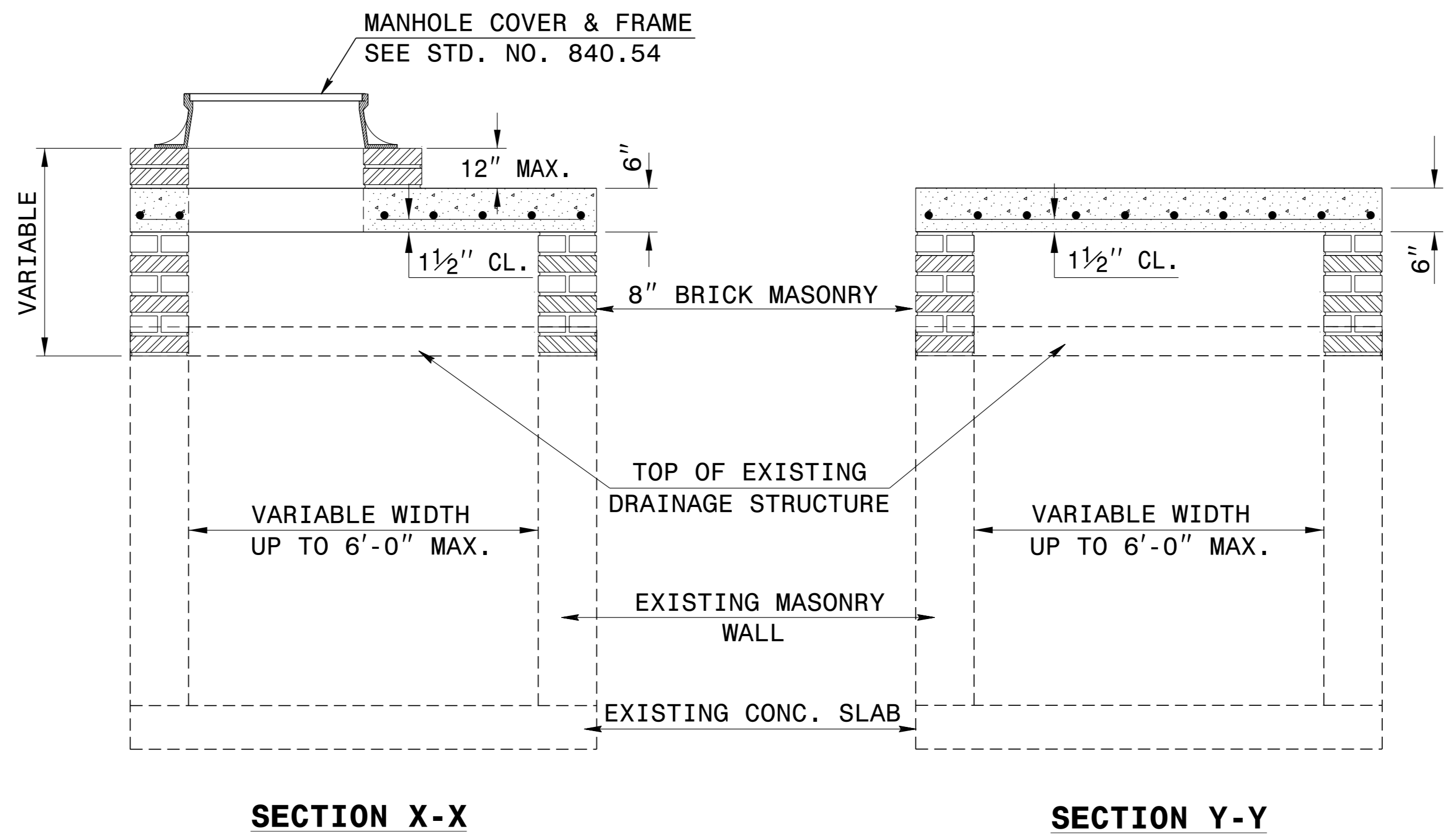
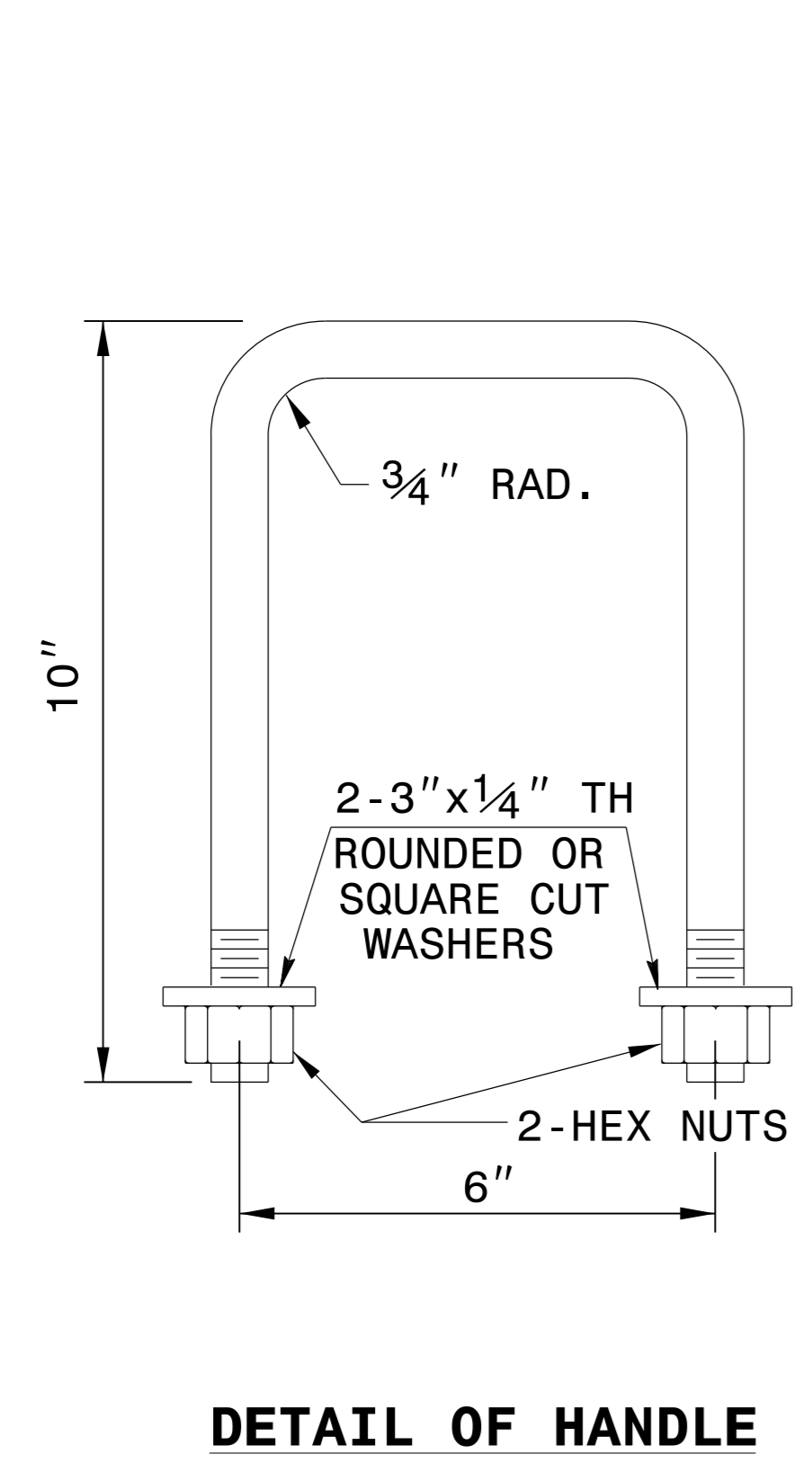


GENERAL NOTES:

CONSTRUCT IN ACCORDANCE WITH SECTION 859 OF THE STANDARD SPECIFICATIONS.

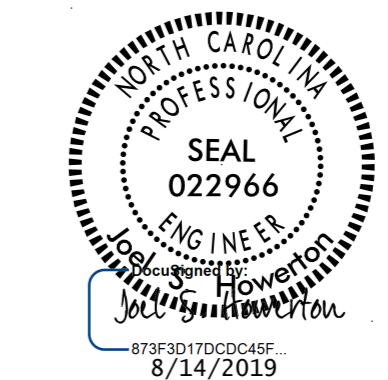
THE DIMENSIONS FOR THE EXISTING BOXES ARE APPROXIMATE AND MAY VARY SLIGHTLY.

DETAIL INTENDED FOR NON-TRAFFIC BEARING DRAINAGE STRUCTURES.



BILL OF MATERIALS				
REINFORCING STEEL				
CODE	SIZE	QTY.	LENGTH	REINF. STEEL LBS.
A	#4	20	4'-6"	60.12
B	#4	8	1'-1"	5.79
TOTAL				65.91 *
MASONRY				CU YDS
TOP SLAB CONCRETE CLASS "B"				.4326 *
BRICK MASONRY PER FT HT (MIN)				.4111

*** NOTE:**
 QUANTITIES BASED ON 3'-6" X 3'-6" DRAINAGE STRUCTURE. ADJUST QUANTITIES FOR LARGER STRUCTURES AND MANHOLE CONSTRUCTION.



DOCUMENT NOT CONSIDERED FINAL
UNLESS ALL SIGNATURES COMPLETED

**CONTRACT STANDARDS
AND DEVELOPMENT UNIT**
 Office 919-707-6950 FAX 919-250-4119

**DETAIL TO CONVERT EXISTING
DI, CB, OTCB or GI
TO JUNCTION BOX
(MANHOLE OPTIONAL)**

ORIGINAL BY: T.S.S.	DATE: NOV. 1997
MODIFIED BY: T.S.S.	DATE: FEB. 2000
CHECKED BY:	DATE:
FILE SPEC.: ds174:/usr/details/stand/boxtojbe.dgn	

11/14/2019 10:58:11 AM
 T.S.S.
 873F3D17DCD45F
 8/14/2019