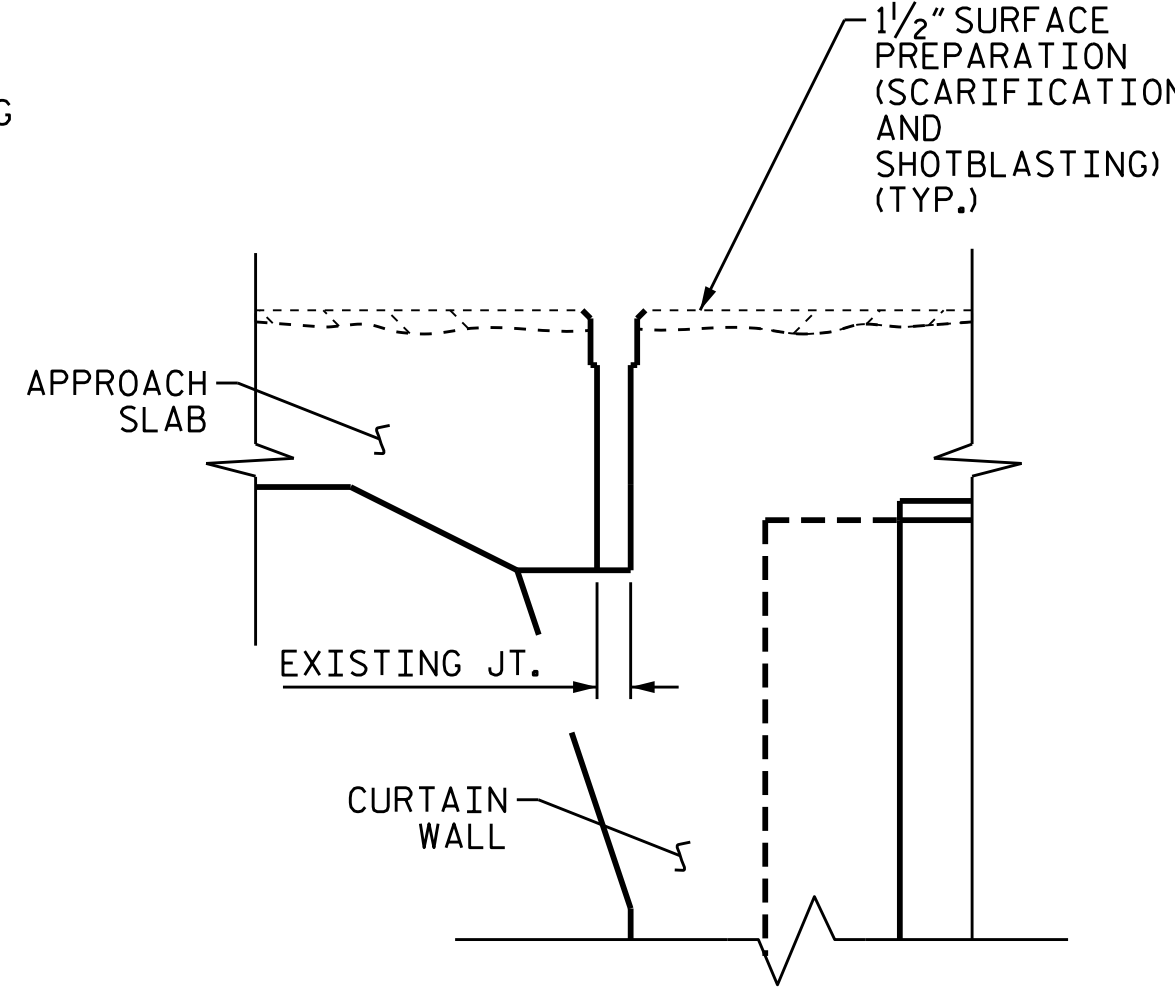
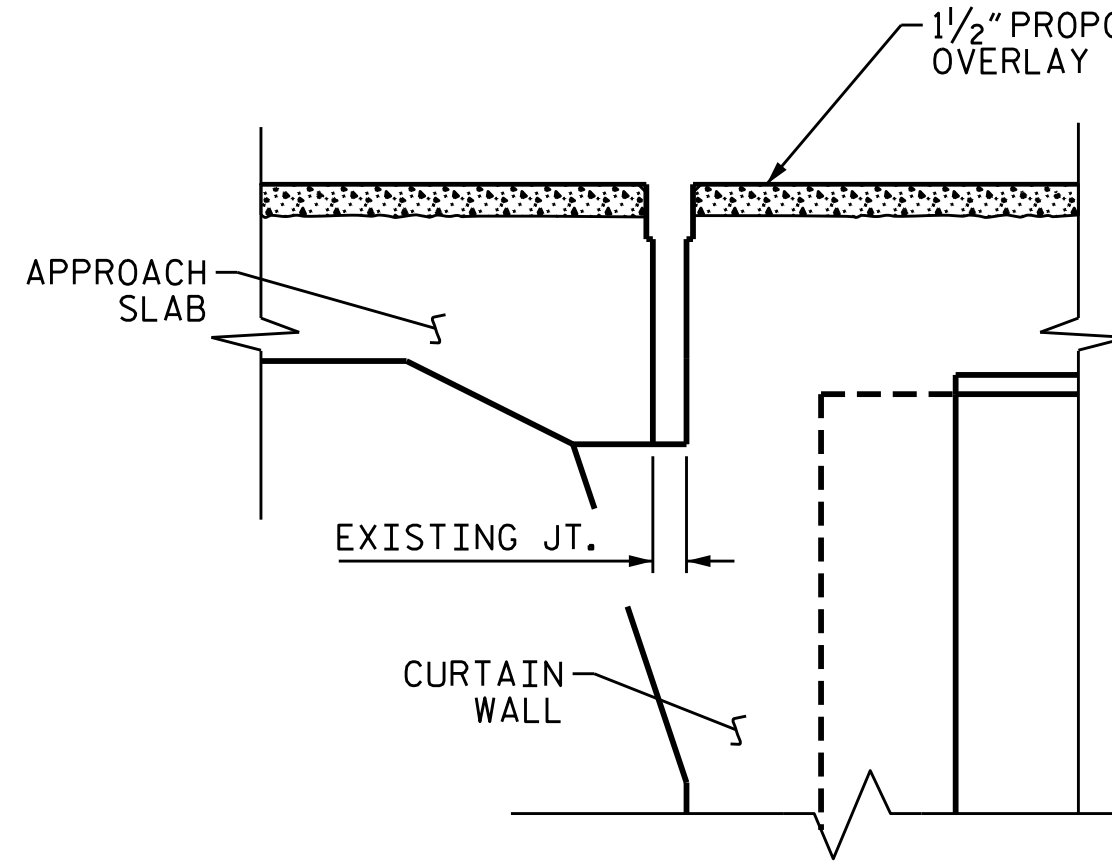


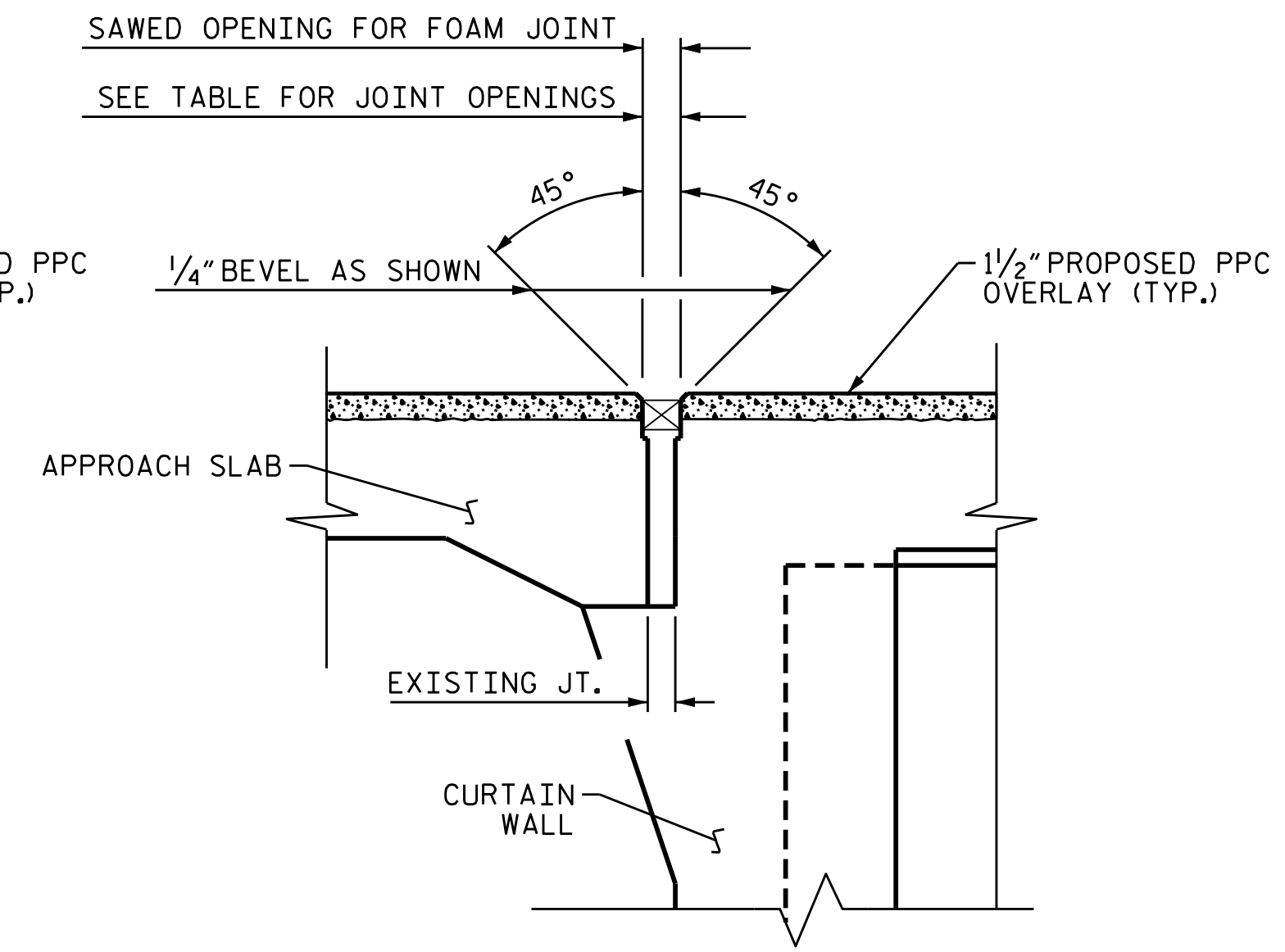
EXISTING COMPRESSION JOINT SEAL



EXISTING JOINT AFTER DECK SCARIFICATION

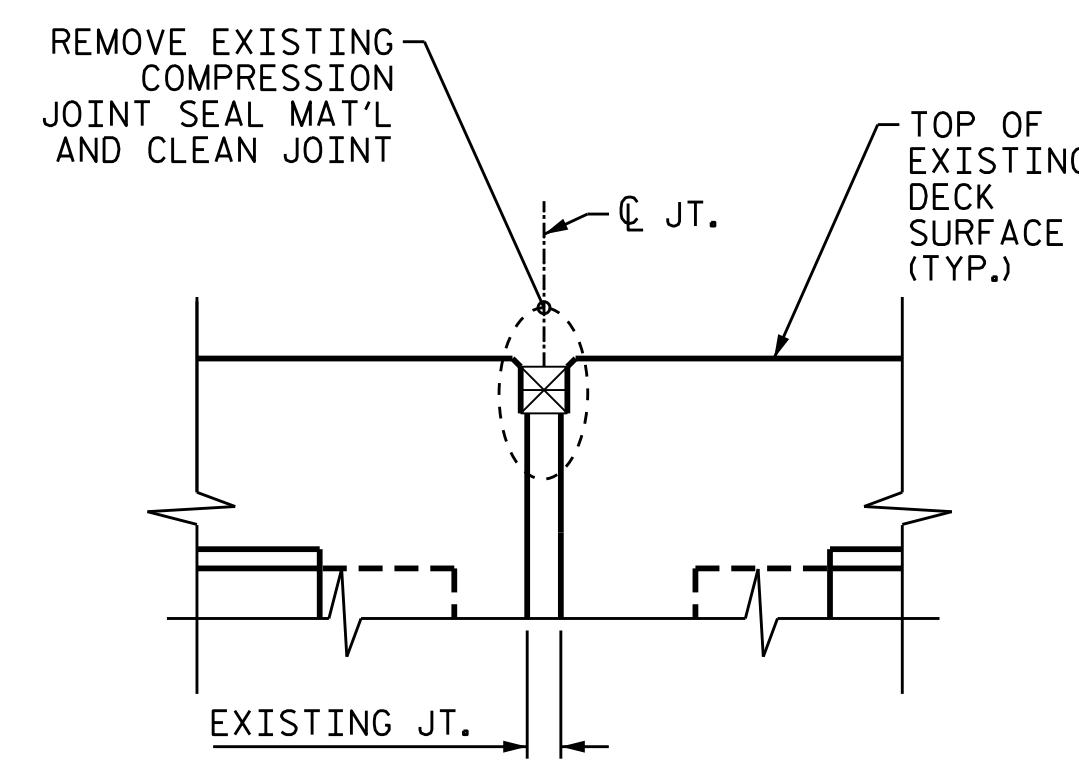


PROPOSED JOINT PRE-SAWED

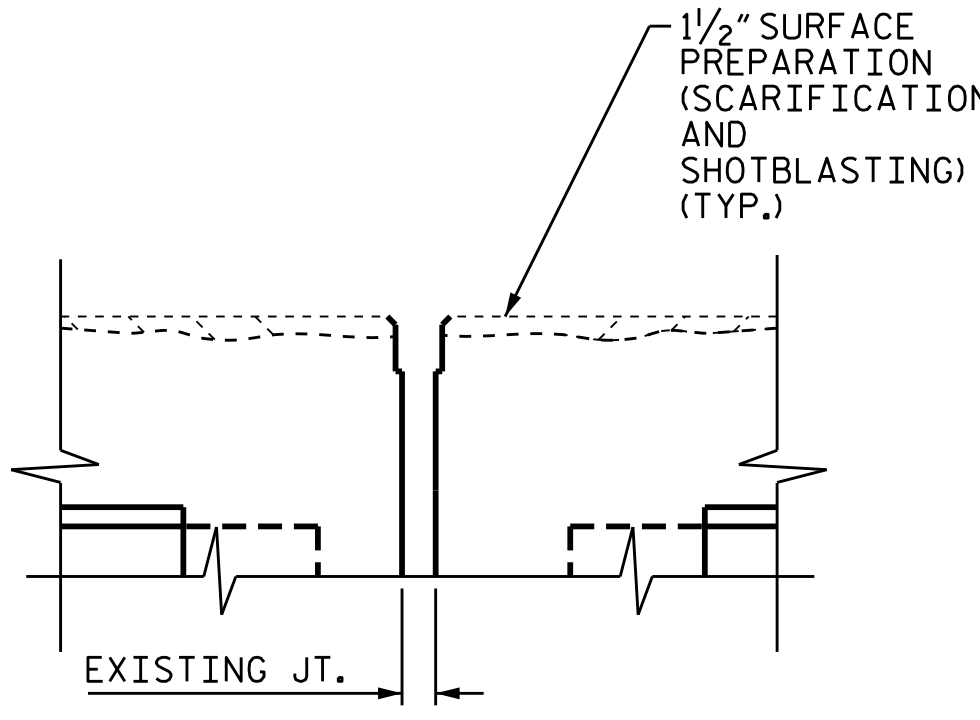


PROPOSED FOAM JOINT SEAL

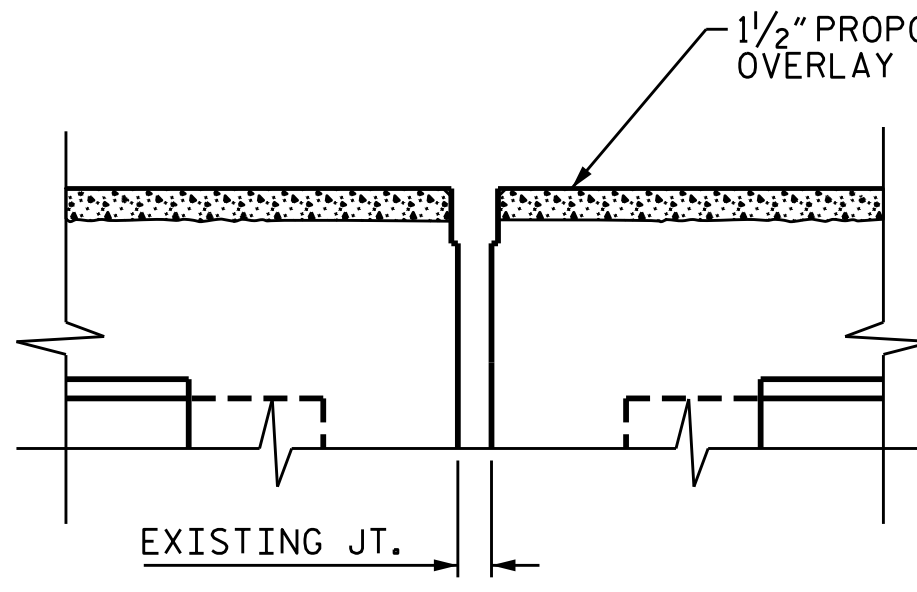
SECTION A-A
(TYP. AT END BENTS)



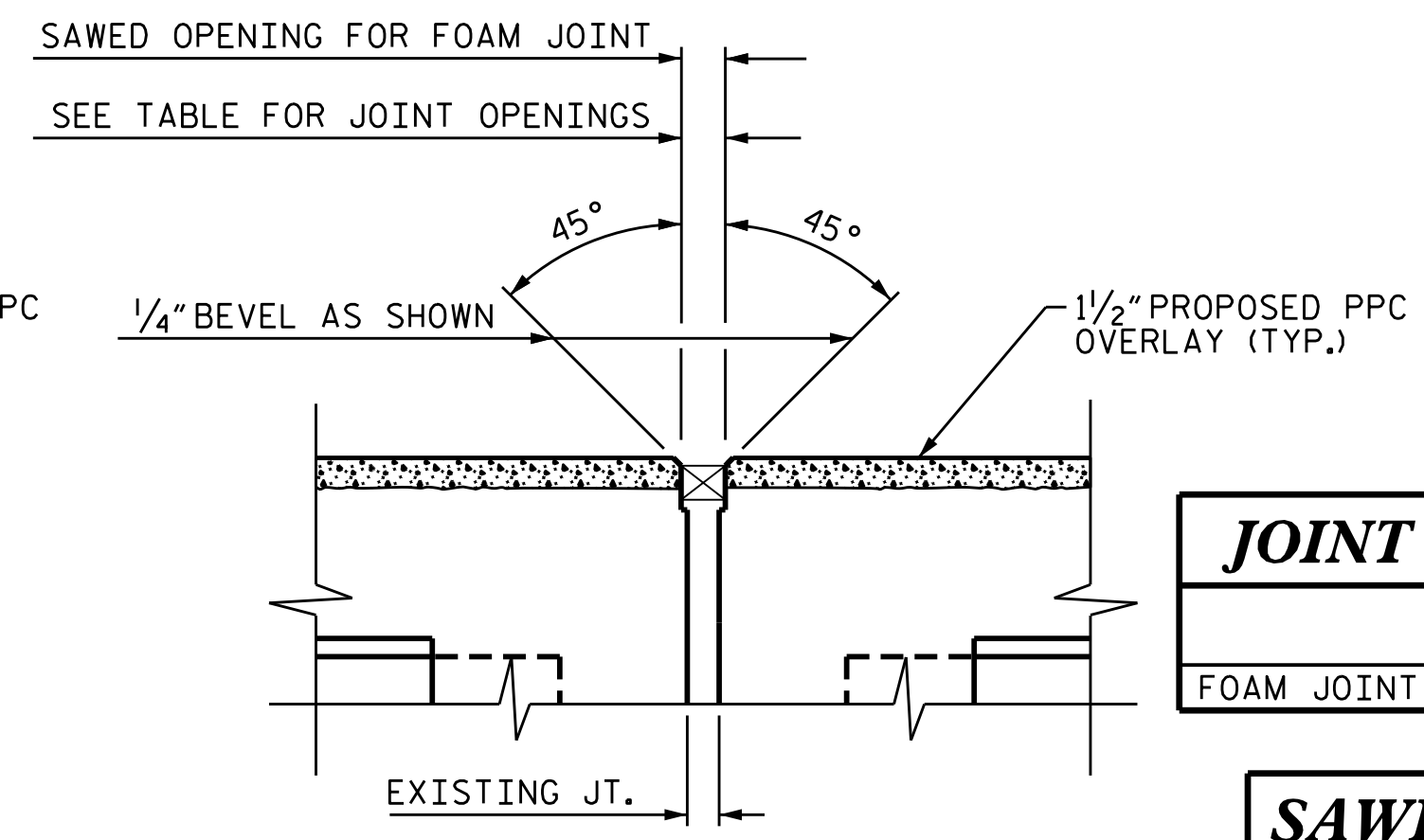
EXISTING COMPRESSION JOINT SEAL



EXISTING JOINT AFTER DECK SCARIFICATION

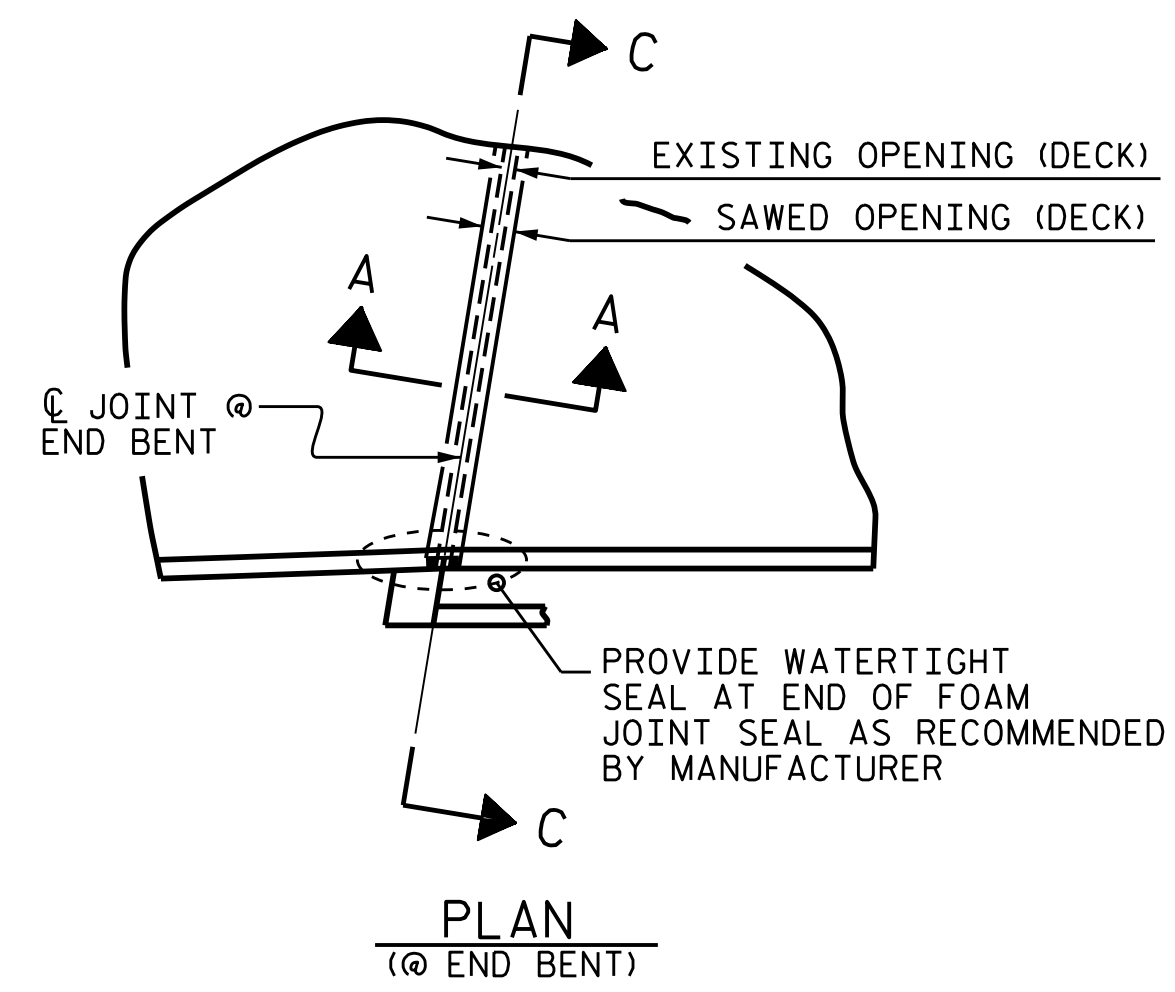


PROPOSED JOINT PRE-SAWED

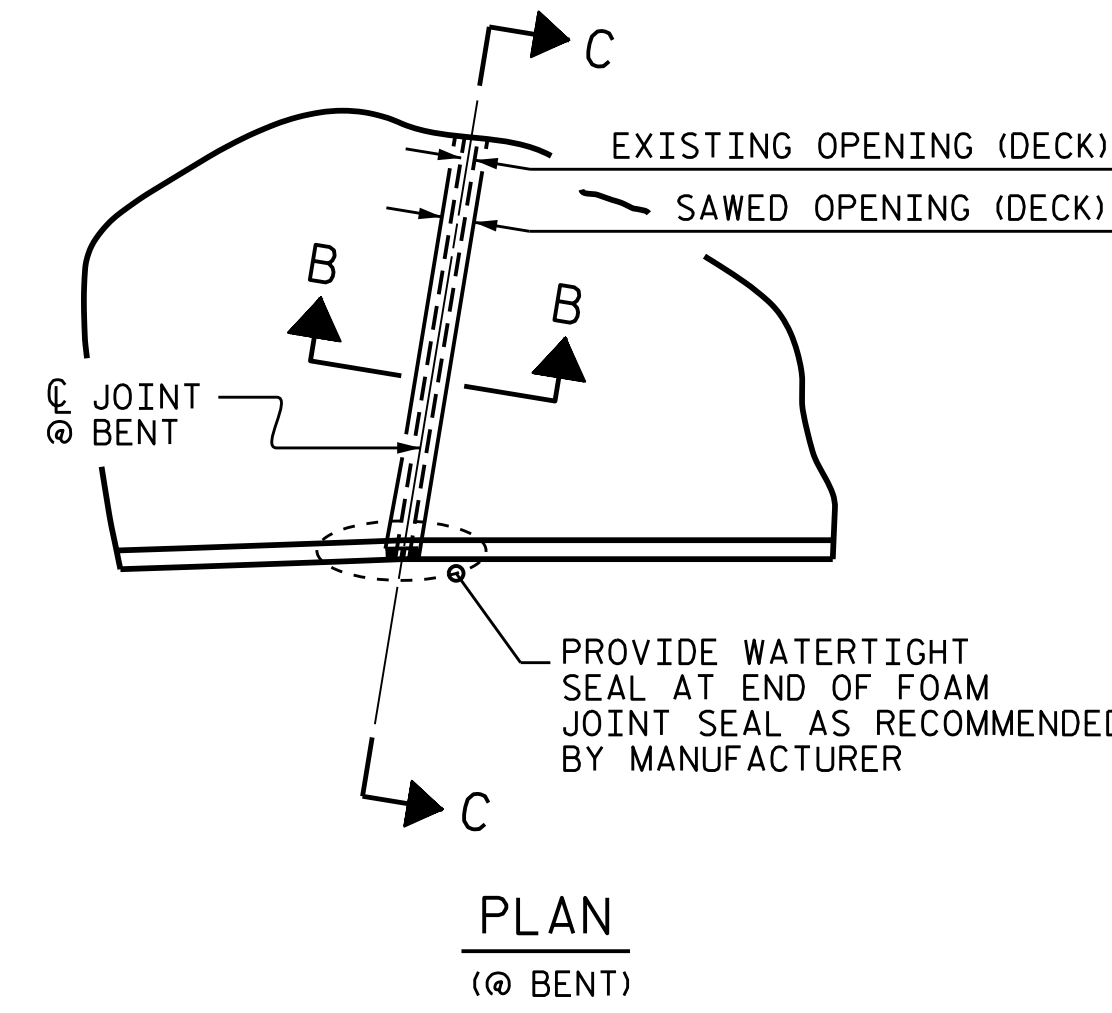


PROPOSED FOAM JOINT SEAL

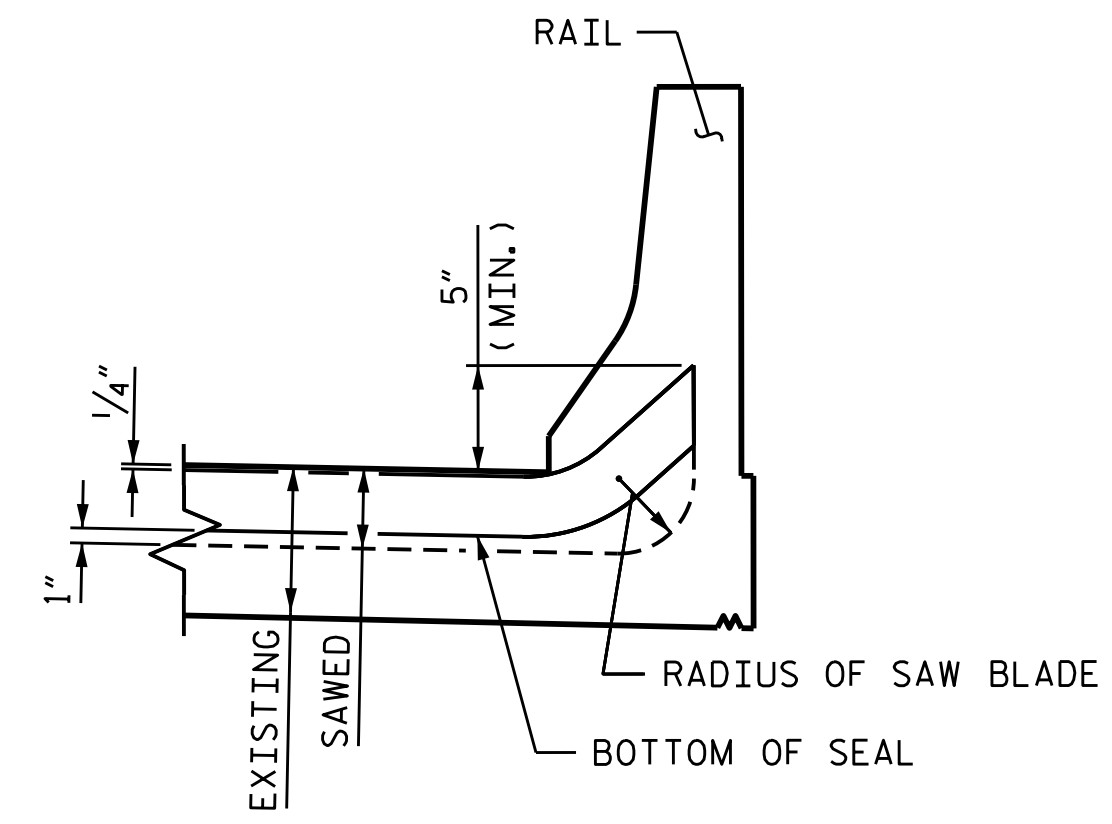
SECTION B-B
(TYP. AT BENTS)



PLAN
(@ END BENT)



PLAN
(@ BENT)



SECTION C-C

NOTES

FINAL JOINT SEALS SHALL NOT BE INSTALLED UNTIL THE PPC OVERLAY IS COMPLETE.

THE CONTRACTOR SHALL FIELD VERIFY THE EXISTING JOINT SEAL MATERIAL PRIOR TO ORDERING JOINT SEAL MATERIAL. IF THE ACTUAL JOINT SEAL MATERIAL IS MORE THAN 1/4", NOTIFY THE ENGINEER.

THE MANUFACTURER IS TO PROVIDE THE NOMINAL UNCOMPRESSED SEAL WIDTH OF THE JOINT SEAL FOR THE SIZE OF THE OPENING ON THE PLANS AND ACCOMMODATE THE MINIMUM EXPANSION SHOWN ON THE PLANS.

FOAM JOINTS SHALL BE INSTALLED AS PER THE MANUFACTURER'S RECOMMENDATIONS.

THE CONTRACTOR SHALL TAKE CARE DURING JOINT REHABILITATION OPERATIONS NOT TO DROP ANY MATERIAL BELOW THE BRIDGE, WITHOUT PROTECTIVE DEVICES BELOW TO CATCH THE MATERIAL. ANY MATERIAL THAT FALLS BELOW THE BRIDGE SHALL BE CONTAINED, REMOVED AND DISPOSED OF BY THE CONTRACTOR AT NO EXTRA COST TO THE DEPARTMENT. IF THE ENGINEER DETERMINES THAT THE PROTECTIVE DEVICES ARE NOT ADEQUATE OR NOT BEING EMPLOYED, THE WORK SHALL BE SUSPENDED UNTIL ADEQUATE PROTECTION IS PROVIDED.

THE CONTRACTOR WILL NOT BE PERMITTED TO FORM THE JOINTS IN LIEU OF SAWING THE JOINT.

THE INSTALLED FOAM JOINTS SHALL BE WATER TIGHT.

FOR FOAM JOINT SEALS FOR PRESERVATION, SEE SPECIAL PROVISIONS.

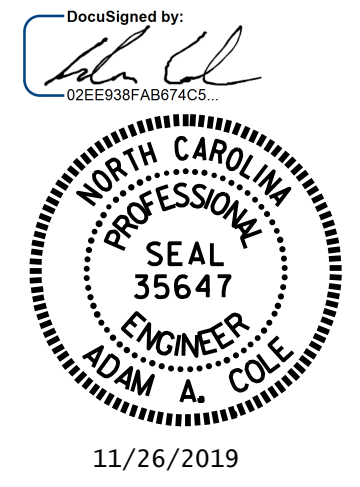
JOINT REPAIR QUANTITY TABLE

	ESTIMATED	ACTUAL
FOAM JOINT SEALS FOR PRESERVATION	289 LF	

SAWED JOINT OPENING TABLE

LOCATION	TOTAL MOVEMENT (ALONG C. RDY)	SAWED JT. OPENING (PERPENDICULAR TO JT.)		
		AT 30°	AT 60°	AT 90°
END BENT 1			2"	
BENT 1	5/8"	1 5/8"	1 1/2"	1 3/8"
BENT 2	1 1/8"	2 5/8"	2 5/16"	2"
END BENT 2			2"	

PROJECT NO. I-5769
MECKLENBURG COUNTY
BRIDGE NO. 590241



STATE OF NORTH CAROLINA
DEPARTMENT OF TRANSPORTATION
RALEIGH
STANDARDS
FOAM JOINT SEAL
DETAILS FOR PPC
OVERLAY

DRAWN BY : D.A. CANTRELL DATE : 10/2018
CHECKED BY : H.A. LOCKLEAR DATE : 09/2019

REVISIONS						SHEET NO. S6-04
NO.	BY:	DATE:	NO.	BY:	DATE:	
1			3			TOTAL SHEETS 8
2			4			