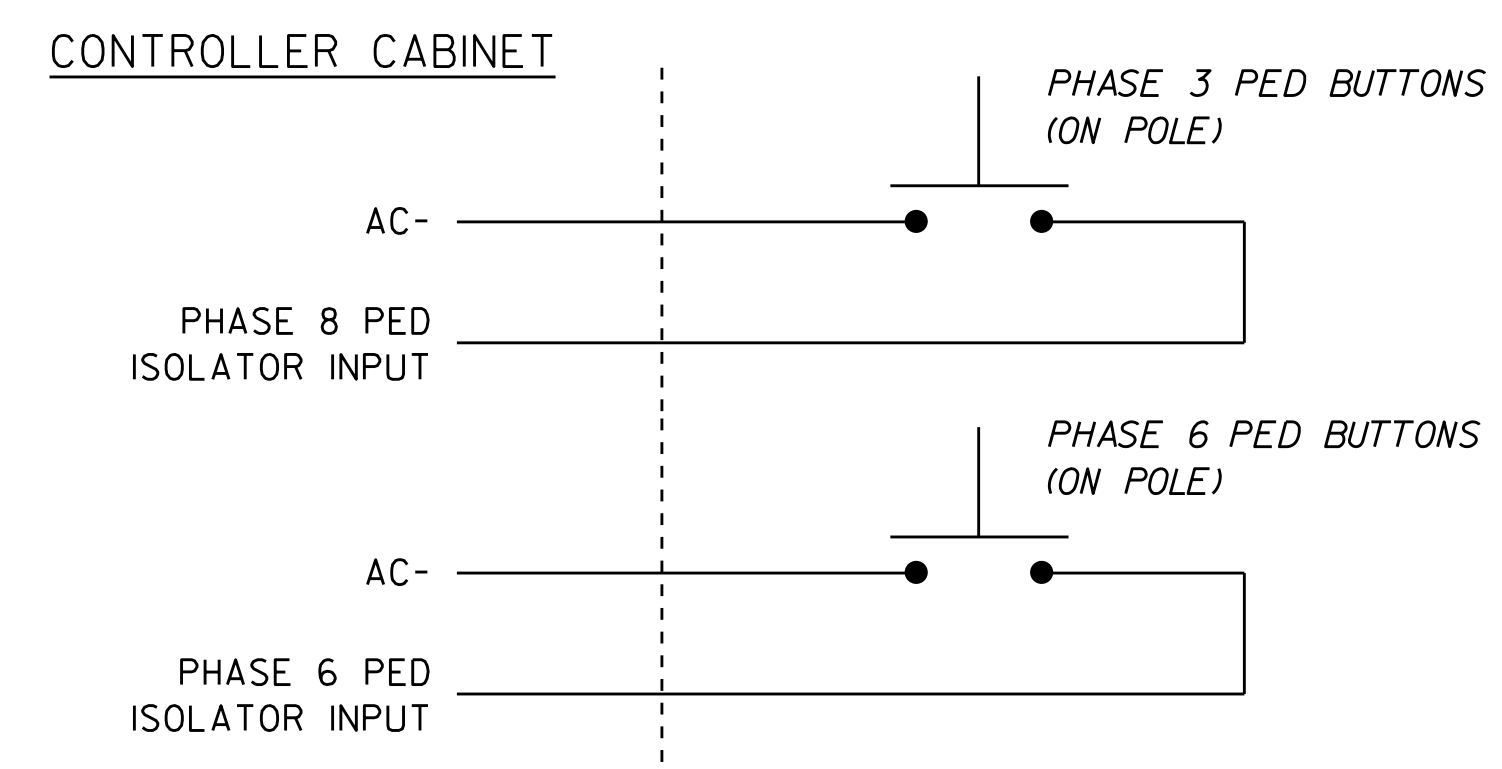


PEDESTRIAN PUSH BUTTON WIRING DETAIL

(wire push buttons as shown)



ECONOLITE ASC/3-2070 PED 3 PROGRAMMING ASSIGNMENT DETAIL

(program controller as shown)

- From Main Menu select **6. DETECTORS**
- From DETECTOR Submenu select **3. PED DETECTOR INPUT ASSIGNMENT**

PED DET PHASE ASSIGNMENT MODE: NTCIP								
PHASE	1	2	3	4	5	6	7	8
DETECTOR	0	2	8	4	0	6	0	0
PHASE	9	10	11	12	13	14	15	16
DETECTOR	0	0	0	0	0	0	0	0

← NOTICE PED DETECTOR 8
ASSIGNED TO PHASE 3

- From Main Menu select **1. CONFIGURATION**
- From CONFIGURATION Submenu select **3. LOAD SW ASSIGN**

LD SWITCH ASSIGN										
PHASE	DIMMING	---FLASH---								
/OVLP	TYPE	R	Y	G	D	PWR	AUT	TGR		
1	1	V	.	.	.	+	A	R	X	.
2	2	V	.	.	.	+	A	Y	.	.
3	3	V	.	.	.	+	A	R	X	.
4	4	V	.	.	.	+	A	R	.	.
5	5	V	.	.	.	-	A	R	.	.
6	6	V	.	.	.	-	A	Y	X	.
7	7	V	.	.	.	-	A	R	.	.
8	8	V	.	.	.	-	A	R	X	.
9	2	P	.	.	.	+	A	R	.	.
10	4	P	.	.	.	+	A	R	.	.
11	6	P	.	.	.	-	A	R	.	.
12	3	P	.	.	.	-	A	R	.	.
13	1	0	.	.	.	+	A	.	X	.
14	2	0	.	.	.	-	A	.	X	.
15	3	0	.	.	.	+	A	.	.	.
16	4	0	.	.	.	-	A	.	.	.

NOTICE PHASE 3 PED
ASSIGNED TO LD SWITCH 12 →

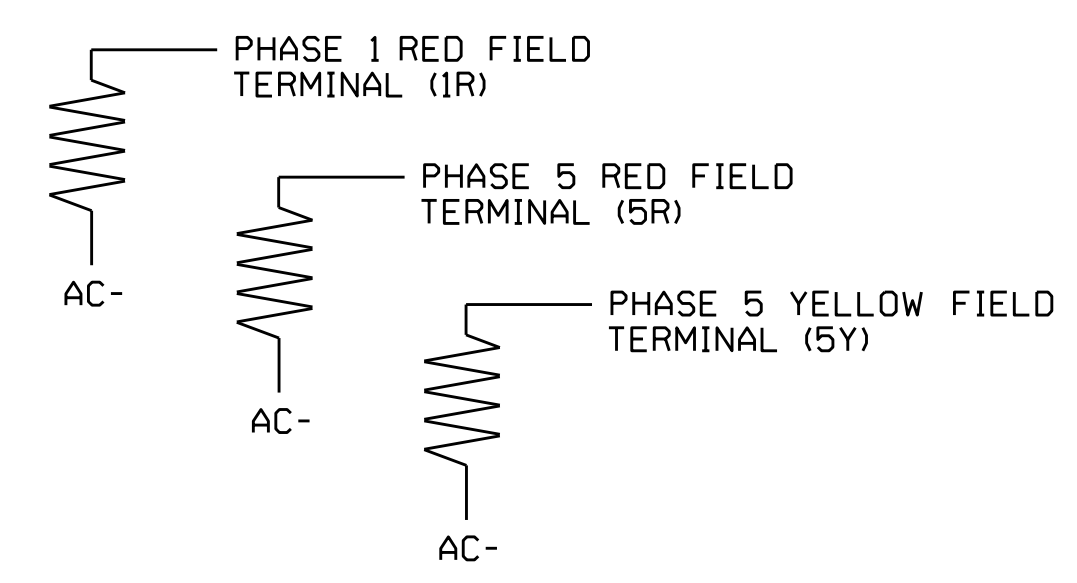
COUNTDOWN PEDESTRIAN SIGNAL OPERATION

Countdown Ped Signals are required to display timing only during Ped Clearance Interval. Consult Ped Signal Module user's manual for instructions on selecting this feature.

LOAD RESISTOR INSTALLATION DETAIL

(install resistors as shown below)

ACCEPTABLE VALUES	
VALUE (ohms)	WATTAGE
1.5K - 1.9K	25W (min)
2.0K - 3.0K	10W (min)



THIS ELECTRICAL DETAIL IS FOR
THE SIGNAL DESIGN: 05-1726T3
DESIGNED: March 2019
SEALED: 7/24/2019
REVISED: N/A

Electrical Detail - Temp 3 (TMP Phase III, Step A)
Sheet 3 of 3

	SR 3015 (Airport Blvd.) at Factory Shops Road/ Aerial Center Parkway		
	Division 5 PLAN DATE: May 2019 PREPARED BY: S. Armstrong	Wake County REVIEWED BY: REVIEWED BY:	

DocuSigned by:
Ryan W. Hough
8/1/2019
43022FAA2054C3
DATE
SIG. INVENTORY NO. 05-1726T3

25-JUL-2019 10:24
W:\1726\sm\elc\wks.dgn
sarmstr003