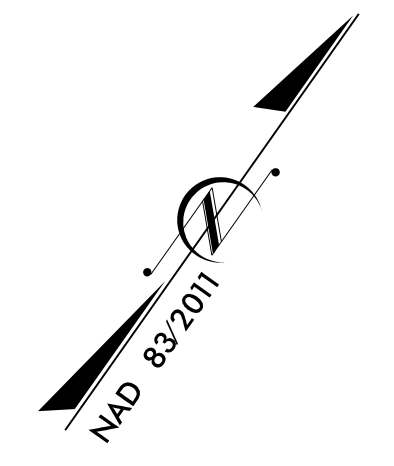
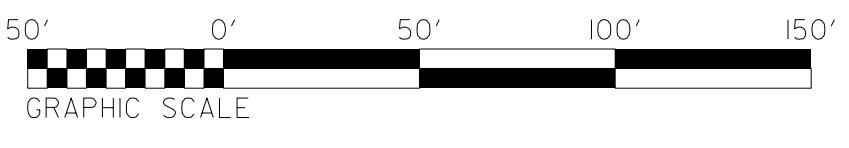


PROJECT REFERENCE NO. R-5735	SHEET NO. EC-06/CONST.06
RW SHEET NO.	
ROADWAY DESIGN ENGINEER	HYDRAULICS ENGINEER



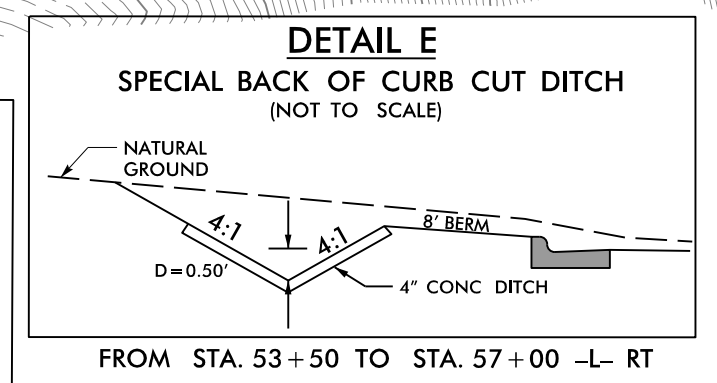
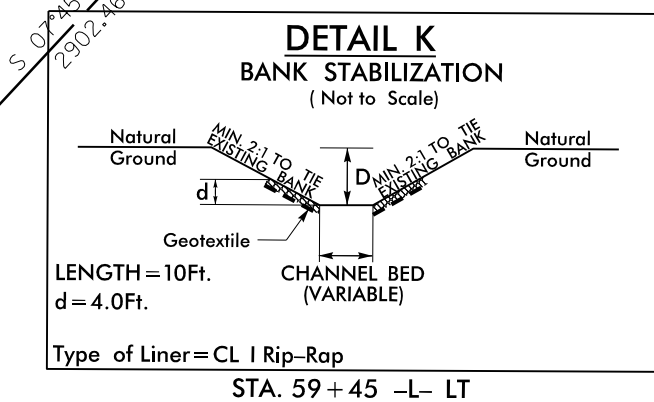
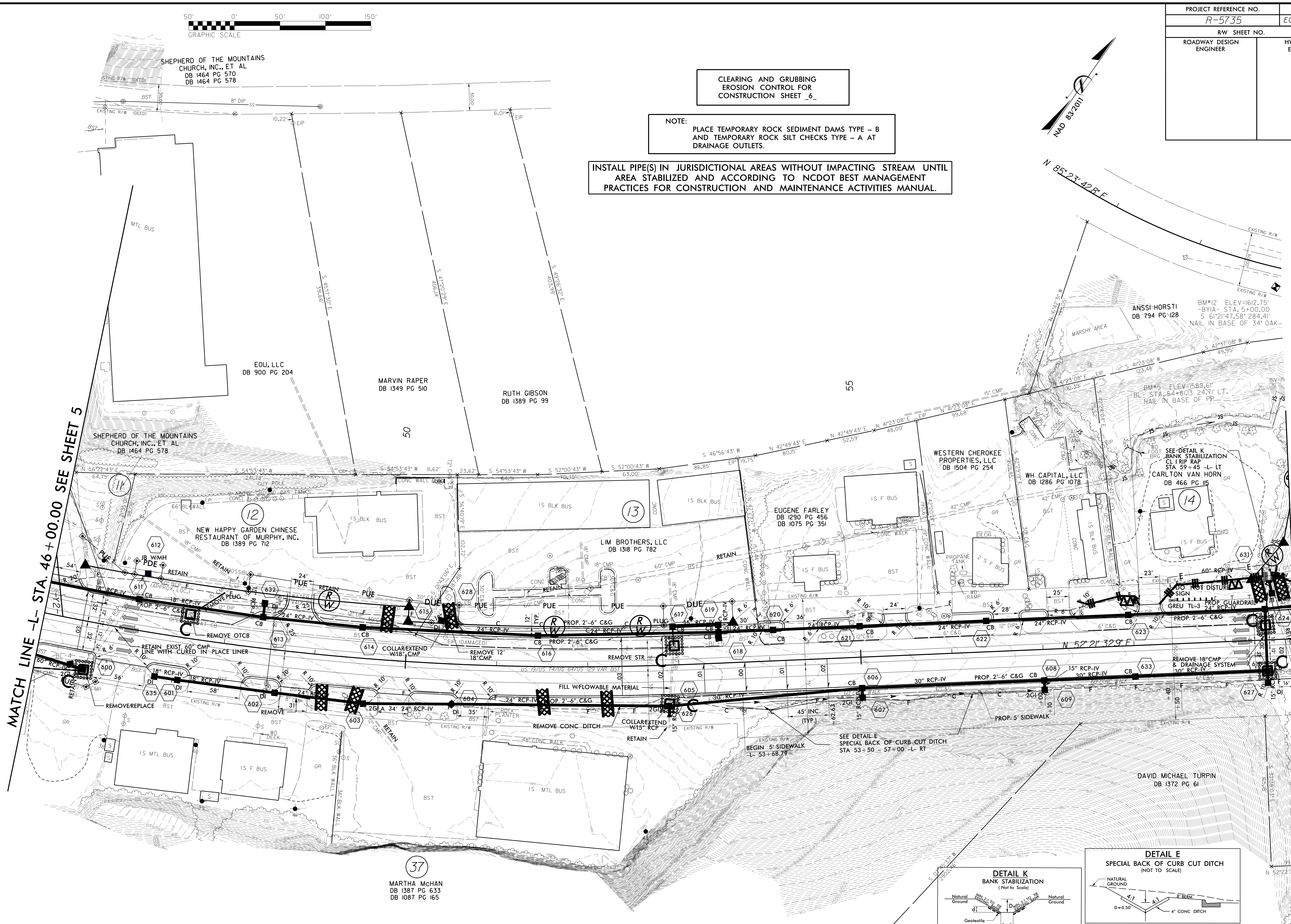
**CLEARING AND GRUBBING
EROSION CONTROL FOR
CONSTRUCTION SHEET 6**

NOTE:
PLACE TEMPORARY ROCK SEDIMENT DAMS TYPE - B
AND TEMPORARY ROCK SILT CHECKS TYPE - A AT
DRAINAGE OUTLETS.

INSTALL PIPE(S) IN JURISDICTIONAL AREAS WITHOUT IMPACTING STREAM UNTIL
AREA STABILIZED AND ACCORDING TO NCDOT BEST MANAGEMENT
PRACTICES FOR CONSTRUCTION AND MAINTENANCE ACTIVITIES MANUAL.

MATCH LINE -L- STA. 46+00.00 SEE SHEET 5

MATCH LINE -L- STA. 59+75.00 SEE SHEET 7



FOR -L- PROFILE SEE SHEET 11

REVISIONS

8/17/99