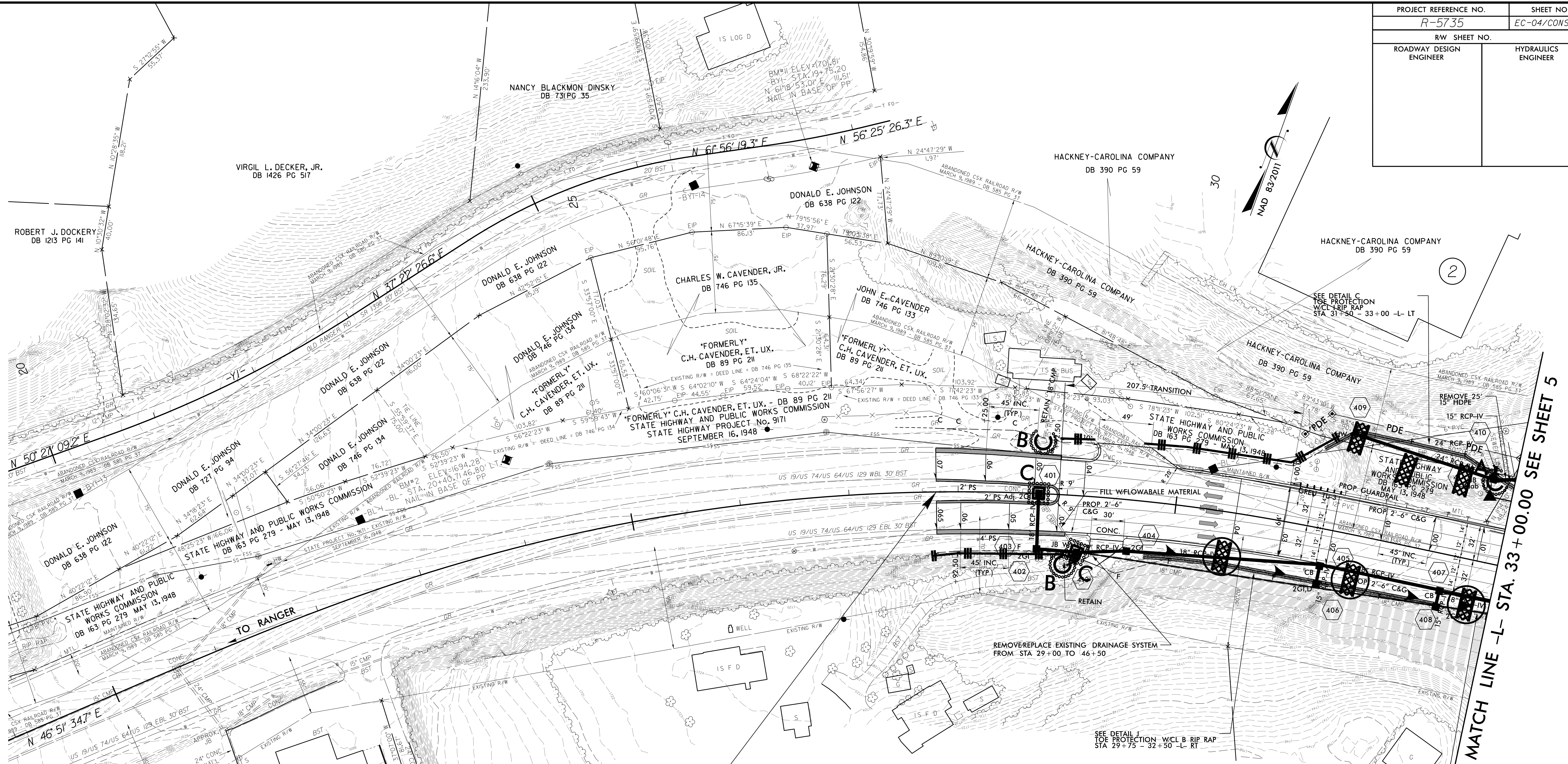


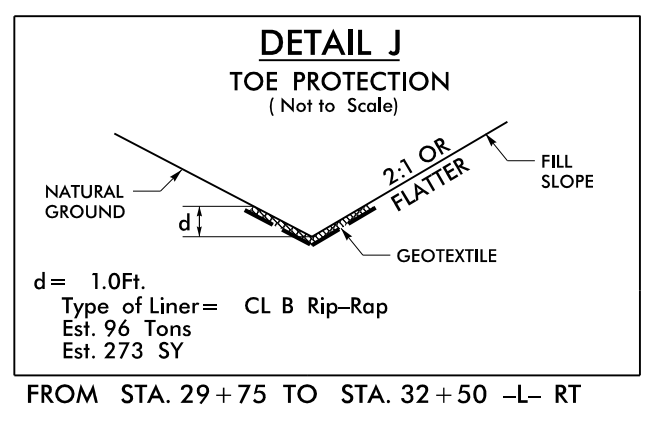
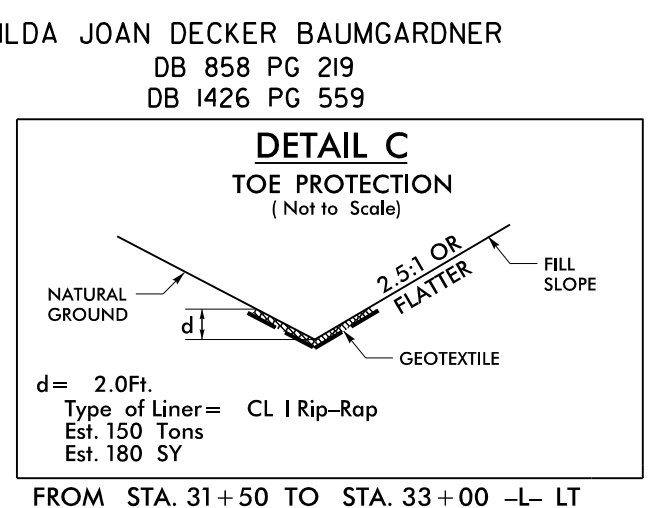
PROJECT REFERENCE NO.	SHEET NO.
R-5735	EC-04/CONST.04
R/W SHEET NO.	
ROADWAY DESIGN ENGINEER	HYDRAULICS ENGINEER



REVISIONS

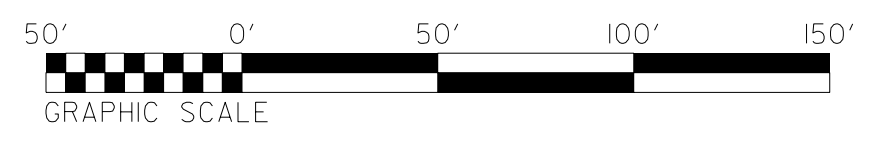
MATCH LINE -L- STA. 33+00.00 SEE SHEET 5

BEGIN TIP PROJECT R-5735
 -L- POC Sta. 27+80.00



CLEARING AND GRUBBING
EROSION CONTROL FOR
CONSTRUCTION SHEET 4

NOTE:
 PLACE TEMPORARY ROCK SEDIMENT DAMS TYPE - B
 AND TEMPORARY ROCK SILT CHECKS TYPE - A AT
 DRAINAGE OUTLETS.



FOR -L- PROFILE SEE SHEET 10

8/17/99

SECTION EROSION CONTROL SHEET 4

PAUL A. FARMER
 DB 1460 PG 523
 TRACT 2

THEODORE FRED COOK
 DB 1163 PG 458

ROBERT J. DOCKERY
 DB 1213 PG 141

VIRGIL L. DECKER, JR.
 DB 1426 PG 517

NANCY BLACKMON DINSKY
 DB 731 PG 35

DONALD E. JOHNSON
 DB 638 PG 122

DONALD E. JOHNSON
 DB 638 PG 122

DONALD E. JOHNSON
 DB 638 PG 122

DONALD E. JOHNSON
 DB 638 PG 122

DONALD E. JOHNSON
 DB 638 PG 122

DONALD E. JOHNSON
 DB 638 PG 122

DONALD E. JOHNSON
 DB 638 PG 122

CHARLES W. CAVENDER, JR.
 DB 746 PG 135

JOHN E. CAVENDER
 DB 746 PG 133

FORMERLY C.H. CAVENDER, ET. UX.
 DB 89 PG 211

FORMERLY C.H. CAVENDER, ET. UX.
 DB 89 PG 211

FORMERLY C.H. CAVENDER, ET. UX.
 DB 89 PG 211

FORMERLY C.H. CAVENDER, ET. UX.
 DB 89 PG 211

FORMERLY C.H. CAVENDER, ET. UX.
 DB 89 PG 211

FORMERLY C.H. CAVENDER, ET. UX.
 DB 89 PG 211

FORMERLY C.H. CAVENDER, ET. UX.
 DB 89 PG 211

HACKNEY-CAROLINA COMPANY
 DB 390 PG 59

HACKNEY-CAROLINA COMPANY
 DB 390 PG 59

HACKNEY-CAROLINA COMPANY
 DB 390 PG 59

HACKNEY-CAROLINA COMPANY
 DB 390 PG 59

HACKNEY-CAROLINA COMPANY
 DB 390 PG 59

HACKNEY-CAROLINA COMPANY
 DB 390 PG 59

HACKNEY-CAROLINA COMPANY
 DB 390 PG 59

HACKNEY-CAROLINA COMPANY
 DB 390 PG 59

HACKNEY-CAROLINA COMPANY
 DB 390 PG 59

HACKNEY-CAROLINA COMPANY
 DB 390 PG 59

HACKNEY-CAROLINA COMPANY
 DB 390 PG 59

HACKNEY-CAROLINA COMPANY
 DB 390 PG 59

HACKNEY-CAROLINA COMPANY
 DB 390 PG 59

HACKNEY-CAROLINA COMPANY
 DB 390 PG 59

HACKNEY-CAROLINA COMPANY
 DB 390 PG 59

HACKNEY-CAROLINA COMPANY
 DB 390 PG 59

MARVIN RAPER
 DB 373 PG 135
 DB 855 PG 157