

**CHANNEL B23
 SPLICE ENCLOSURE AT
 (ALSTON AV AT MAIN ST)
 SIG ID 05-1030
 CCTV 2029**

COLOR CODE
 TIA/EIA 598-C

(1) BLUE	(7) RED
(2) ORANGE	(8) BLACK
(3) GREEN	(9) YELLOW
(4) BROWN	(10) VIOLET
(5) SLATE	(11) ROSE
(6) WHITE	(12) AQUA

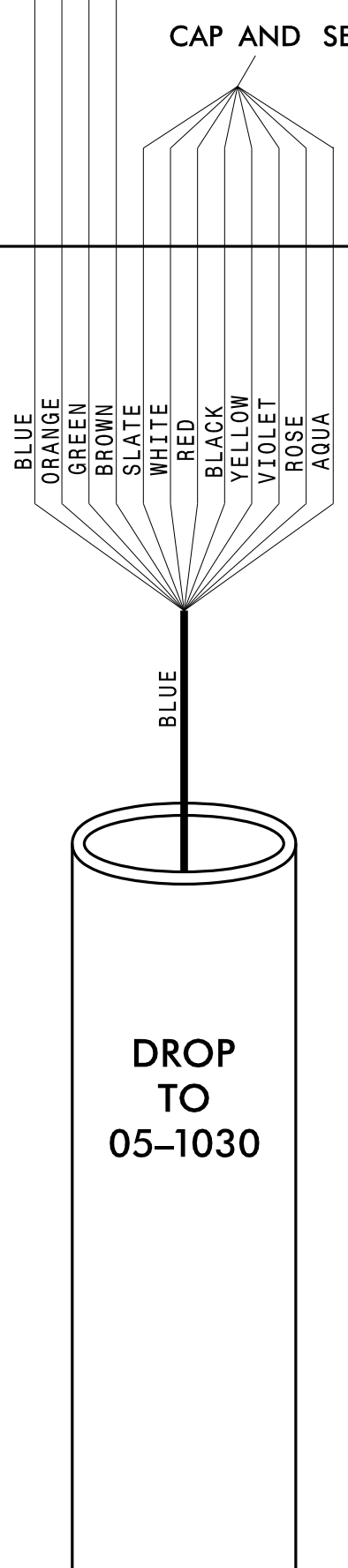
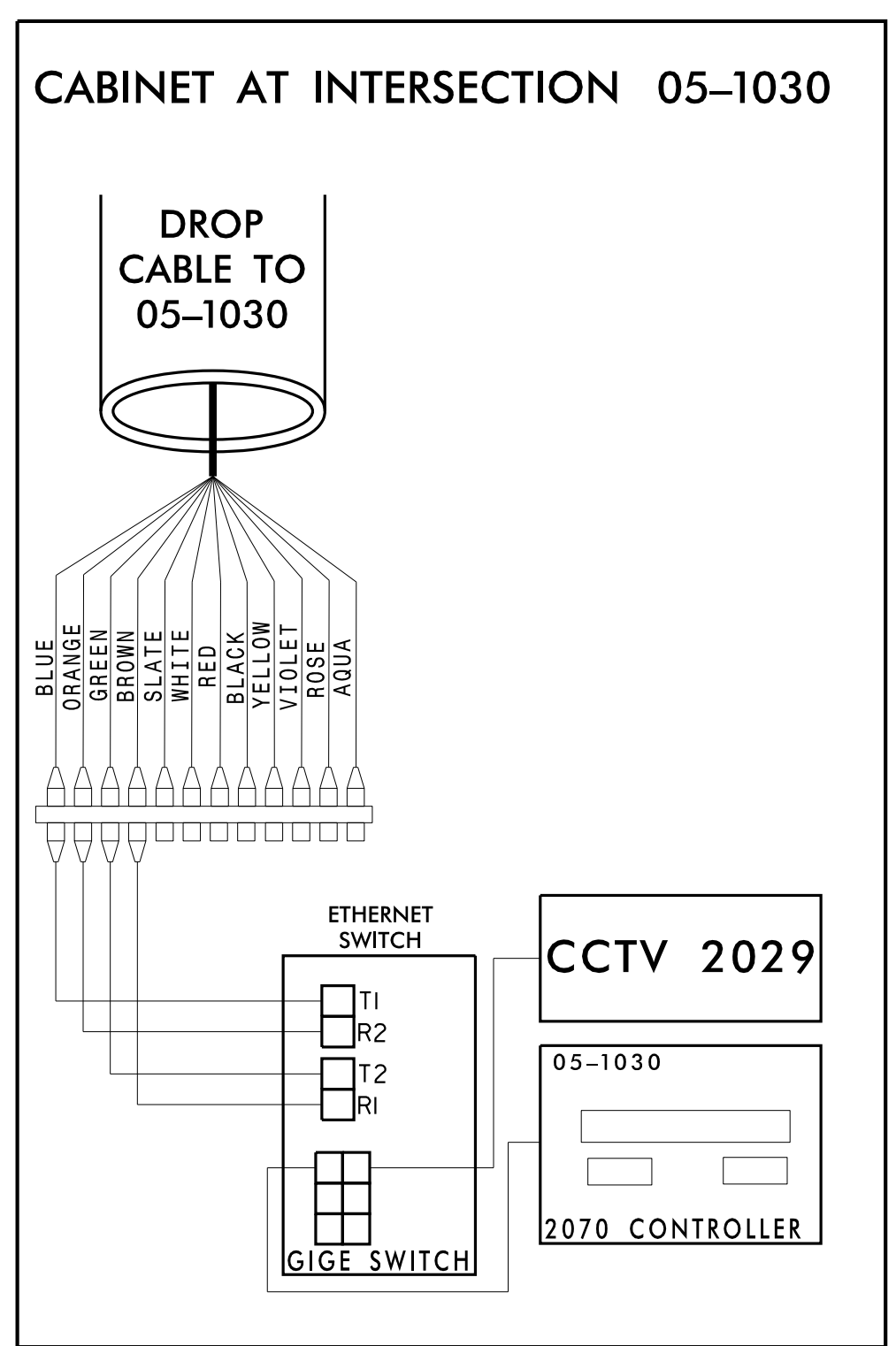
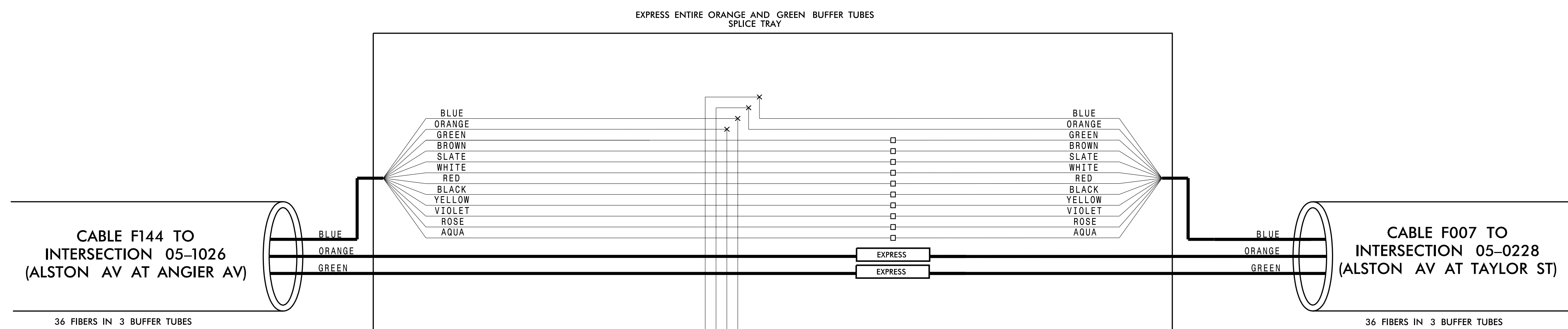
LEGEND

X - FUSION SPLICE INDIVIDUAL FIBER
 O - EXISTING SPLICE
 □ - EXPRESS INDIVIDUAL FIBER

EXPRESS - EXPRESS ENTIRE BUFFER TUBE
 SPLICE - SPLICE ENTIRE BUFFER TUBE OR MAINTAIN IF EXISTING EXPRESSED

NOTES:

- FIBER INTERCONNECT CENTER RACKS ARE SCHEMATIC ONLY - ACTUAL EQUIPMENT FORM MAY VARY.
- ETHERNET SWITCH TERMINATION CONFIGURATIONS ARE GENERIC. CONTRACTOR IS RESPONSIBLE FOR DETERMINING /ENSURING PROPER TERMINATION.
- CONTRACTOR IS RESPONSIBLE FOR FIELD VERIFYING EXISTING SPlicing. THE CONTRACTOR SHALL COORDINATE WITH THE ENGINEER WHERE EXISTING SPlicing IS NOT AS EXPECTED.



**CHANNEL B23
 CITY OF DURHAM COMPUTERIZED
 SIGNAL SYSTEM
 SPLICE DETAIL**

SEAL
 NORTH CAROLINA PROFESSIONAL ENGINEER
 KEVIN W. SMITH
 SEAL 030472

Division 05 DURHAM COUNTY
 PLAN DATE: DEC 2018 REVIEWED BY: N. MENGELKOCH
 PREPARED BY: KHA REVIEWED BY: K. SMITH

REVISIONS	INIT.	DATE

DocuSigned by:
 Kevin W. Smith
 12/19/2018
 DATE

CADD File name:

Kimley»Horn
 NC License #F-0102
 421 Fayetteville St., Suite 600
 Raleigh, NC 27636
 Tel: (919) 677-2000
 Fax: (919) 677-2050

12/17/2018 K:\ARL_TPTD_ITS\01030640 - Durham Signal System\Plans\Splicing\U-5968_ITS_spl_CHB23_257_05-1030.dgn

**CHANNEL B23
SPLICE ENCLOSURE AT
(ALSTON AV AT TAYLOR ST)
SIG ID 05-0228**

COLOR CODE
TIA/EIA 598-C

(1) BLUE	(7) RED
(2) ORANGE	(8) BLACK
(3) GREEN	(9) YELLOW
(4) BROWN	(10) VIOLET
(5) SLATE	(11) ROSE
(6) WHITE	(12) AQUA

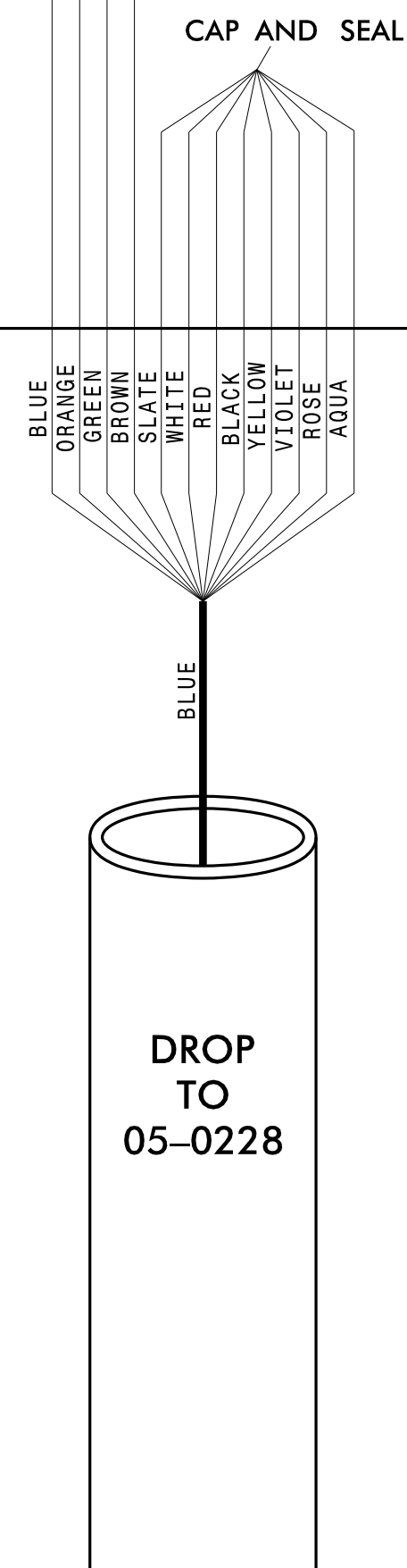
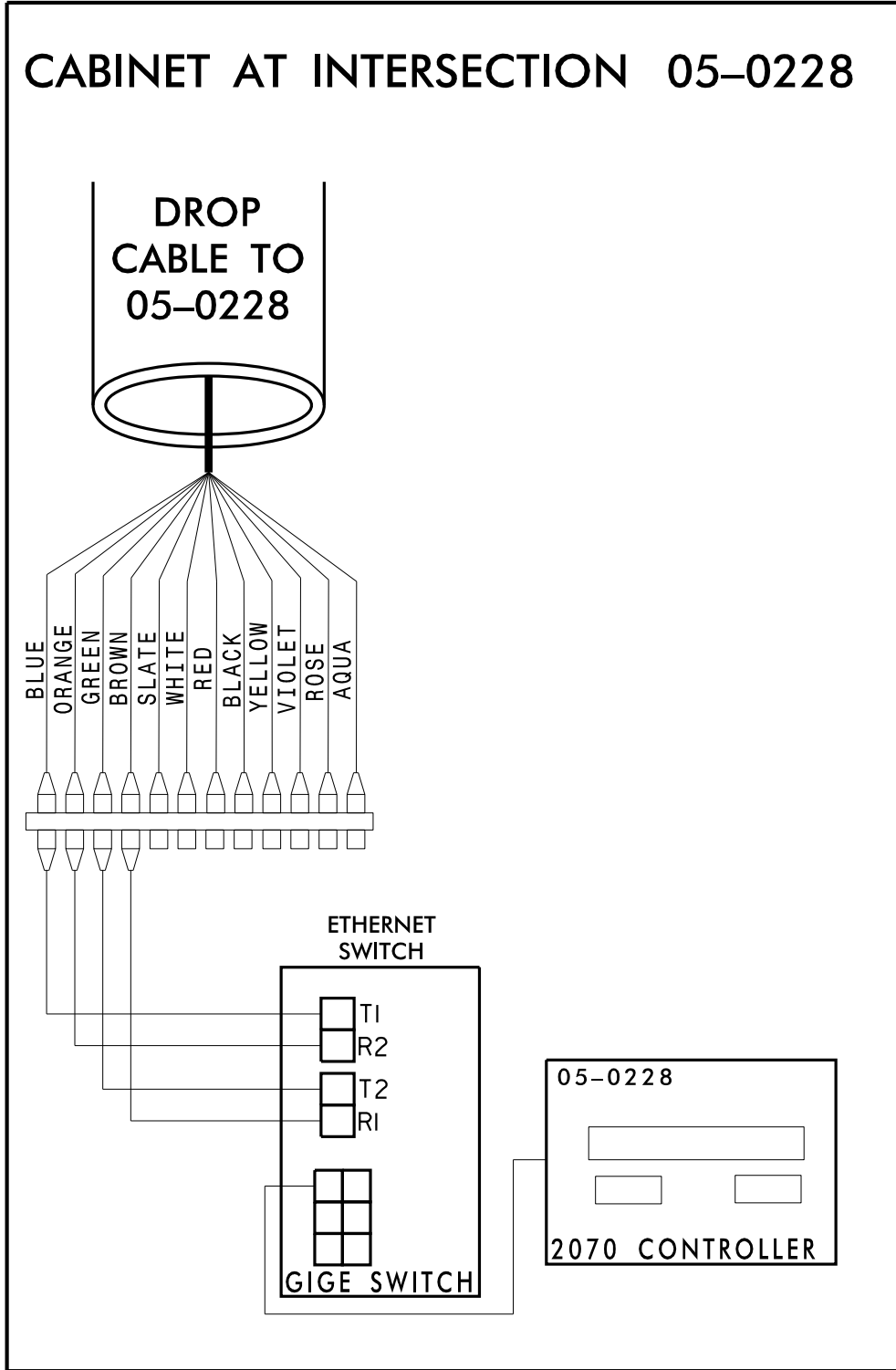
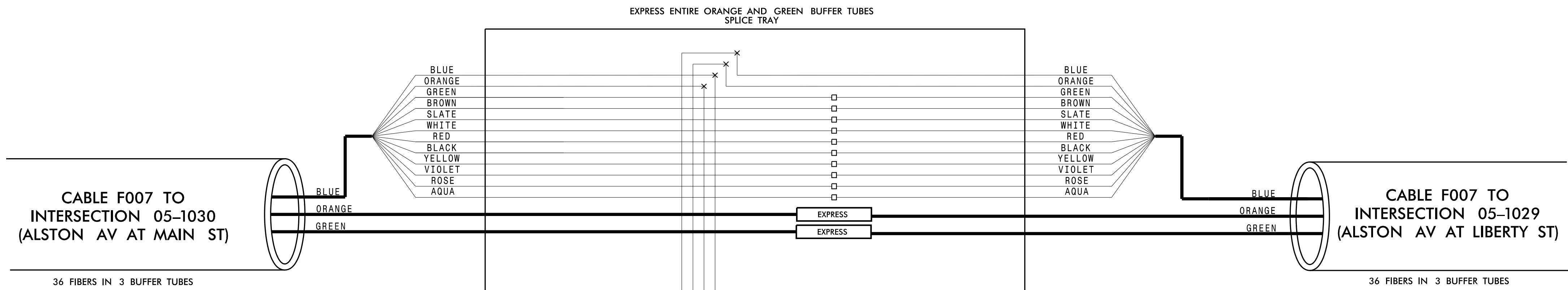
LEGEND

X - FUSION SPLICE INDIVIDUAL FIBER
 O - EXISTING SPLICE
 □ - EXPRESS INDIVIDUAL FIBER

EXPRESS - EXPRESS ENTIRE BUFFER TUBE
 SPLICE - SPLICE ENTIRE BUFFER TUBE OR MAINTAIN IF EXISTING EXPRESSED

NOTES:

1. FIBER INTERCONNECT CENTER RACKS ARE SCHEMATIC ONLY - ACTUAL EQUIPMENT FORM MAY VARY.
2. ETHERNET SWITCH TERMINATION CONFIGURATIONS ARE GENERIC. CONTRACTOR IS RESPONSIBLE FOR DETERMINING /ENSURING PROPER TERMINATION.
3. CONTRACTOR IS RESPONSIBLE FOR FIELD VERIFYING EXISTING SPlicing. THE CONTRACTOR SHALL COORDINATE WITH THE ENGINEER WHERE EXISTING SPlicing IS NOT AS EXPECTED.



**CHANNEL B23
CITY OF DURHAM COMPUTERIZED
SIGNAL SYSTEM
SPLICE DETAIL**

Division 05 DURHAM COUNTY

PLAN DATE: DEC 2018 REVIEWED BY: N. MENGELKOCH

PREPARED BY: KHA REVIEWED BY: K. SMITH

REVISIONS	INIT.	DATE

Scale: 0

Kimley»Horn
 NC License #F-0102
 421 Fayetteville St., Suite 600
 Raleigh, NC 27636
 Tel: (919) 677-2000
 Fax: (919) 677-2050

Seal: NORTH CAROLINA PROFESSIONAL ENGINEER KEVIN W. SMITH SEAL 030472

DocuSigned by: Kevin W. Smith 12/19/2018

12/17/2018 K:\ARL_TPTD_ITS\01036410 - Durham Signal System\Plans\Splicing\U-5968_ITS_spl_CHB23_258_05-0228.dgn

**CHANNEL B23
SPLICE ENCLOSURE AT
(ALSTON AV AT LIBERTY ST)
SIG ID 05-1029**

COLOR CODE
TIA/EIA 598-C

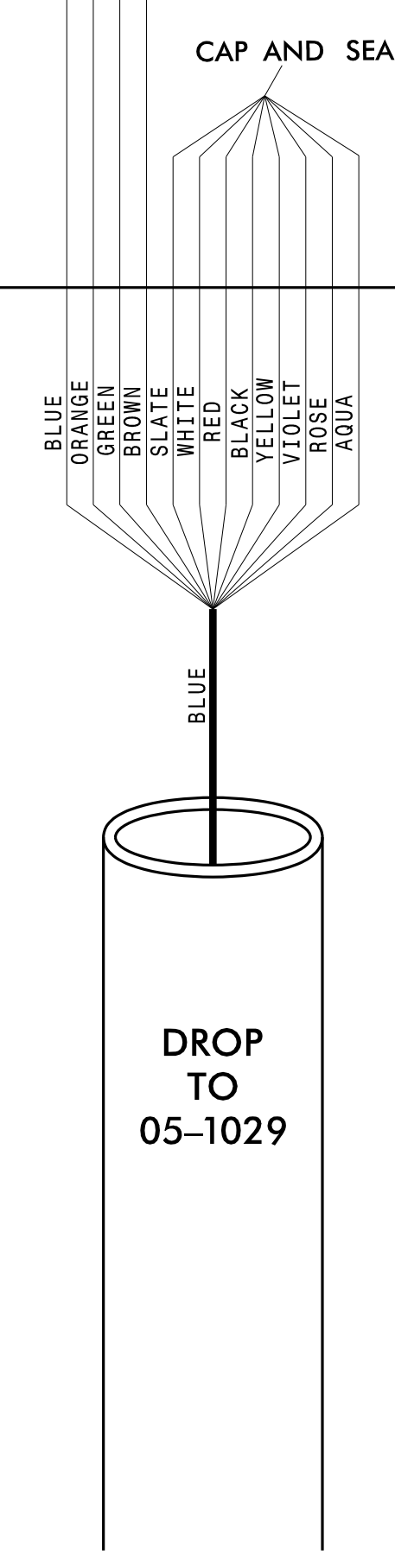
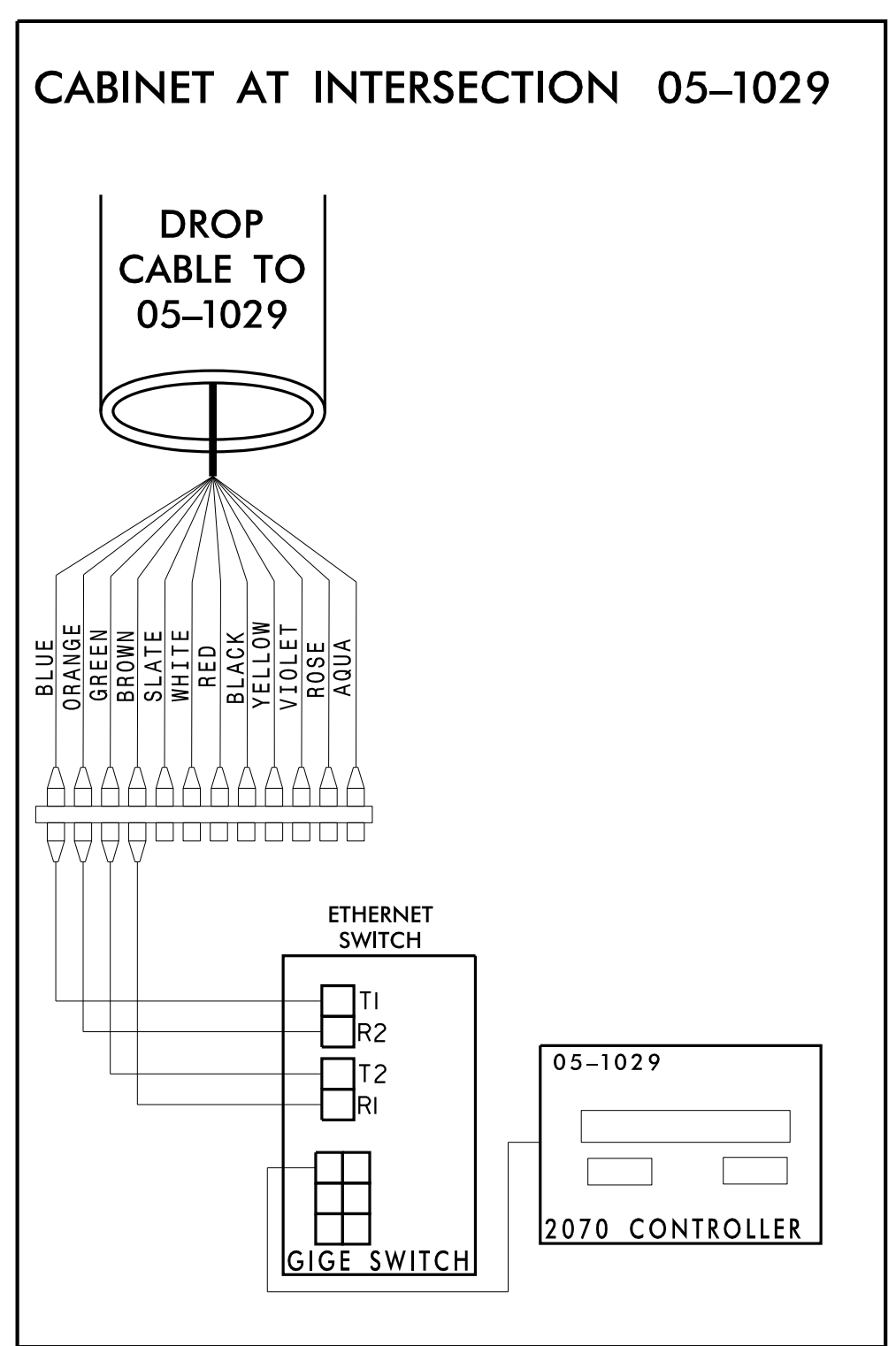
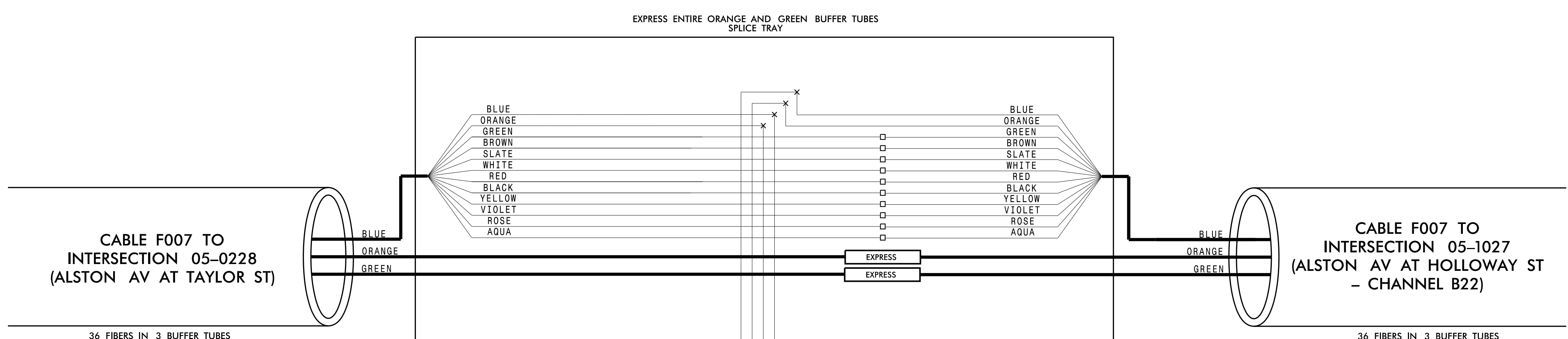
(1) BLUE	(7) RED
(2) ORANGE	(8) BLACK
(3) GREEN	(9) YELLOW
(4) BROWN	(10) VIOLET
(5) SLATE	(11) ROSE
(6) WHITE	(12) AQUA

LEGEND

X - FUSION SPLICE INDIVIDUAL FIBER
 O - EXISTING SPLICE
 □ - EXPRESS INDIVIDUAL FIBER

EXPRESS - EXPRESS ENTIRE BUFFER TUBE
 SPLICE - SPLICE ENTIRE BUFFER TUBE OR MAINTAIN IF EXISTING EXPRESSED

NOTES:
 1. FIBER INTERCONNECT CENTER RACKS ARE SCHEMATIC ONLY - ACTUAL EQUIPMENT FORM MAY VARY.
 2. ETHERNET SWITCH TERMINATION CONFIGURATIONS ARE GENERIC. CONTRACTOR IS RESPONSIBLE FOR DETERMINING /ENSURING PROPER TERMINATION.
 3. CONTRACTOR IS RESPONSIBLE FOR FIELD VERIFYING EXISTING SPlicing. THE CONTRACTOR SHALL COORDINATE WITH THE ENGINEER WHERE EXISTING SPlicing IS NOT AS EXPECTED.



12/17/2018 K:\ARL_TPTD_ITS\01036410 - Durham Signal System\Plans\Splicing\U-5968_ITS_spl_CHB23_259_05-1029.dgn

Kimley»Horn
 NC License #F-0102
 421 Fayetteville St., Suite 600
 Raleigh, NC 27636
 Tel: (919) 677-2000
 Fax: (919) 677-2050

CHANNEL B23

CITY OF DURHAM COMPUTERIZED SIGNAL SYSTEM
 SPLICE DETAIL

Division 05 DURHAM COUNTY

PLAN DATE: DEC 2018 REVIEWED BY: N. MENGELKOCH

PREPARED BY: KHA REVIEWED BY: K. SMITH

REVISIONS	INIT.	DATE

Seal: NORTH CAROLINA PROFESSIONAL ENGINEER KEVIN W. SMITH SEAL 030472

DocuSigned by: Kevin W. Smith 12/19/2018