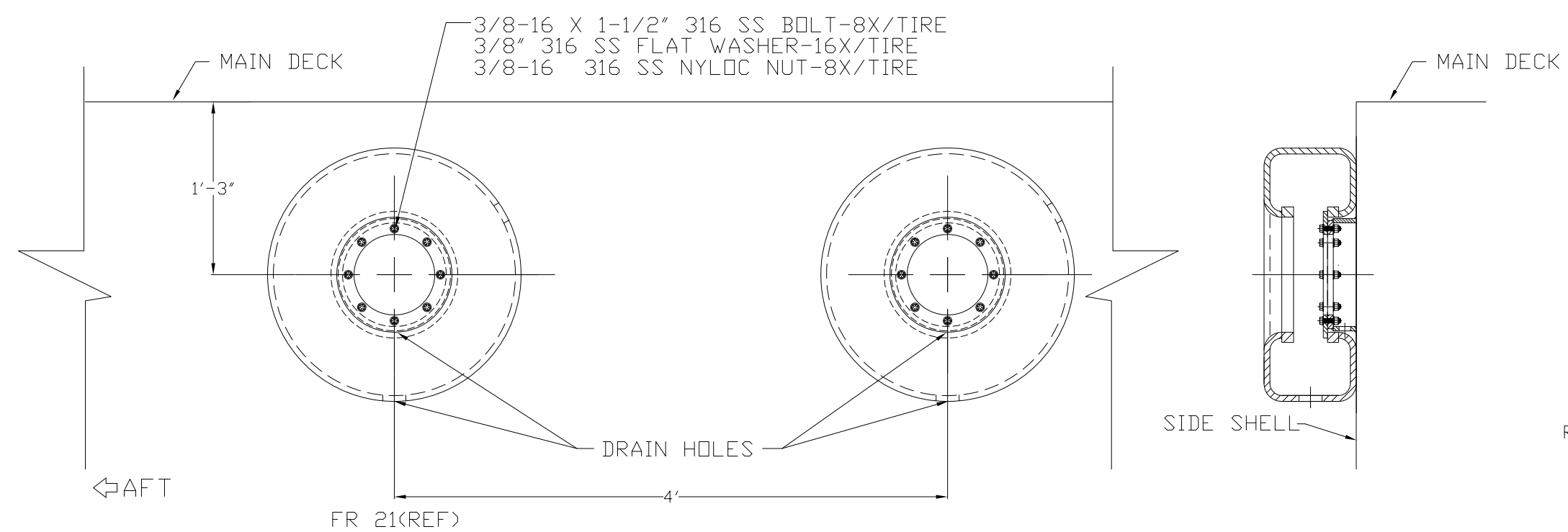
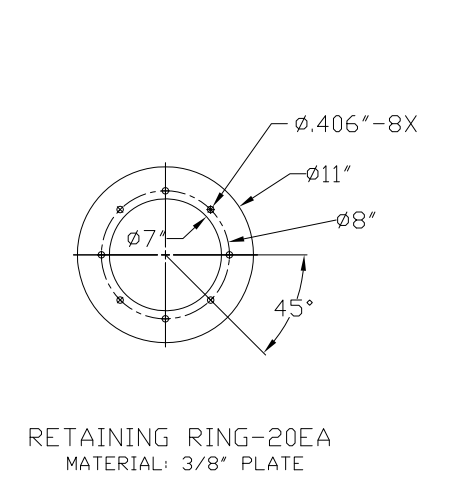


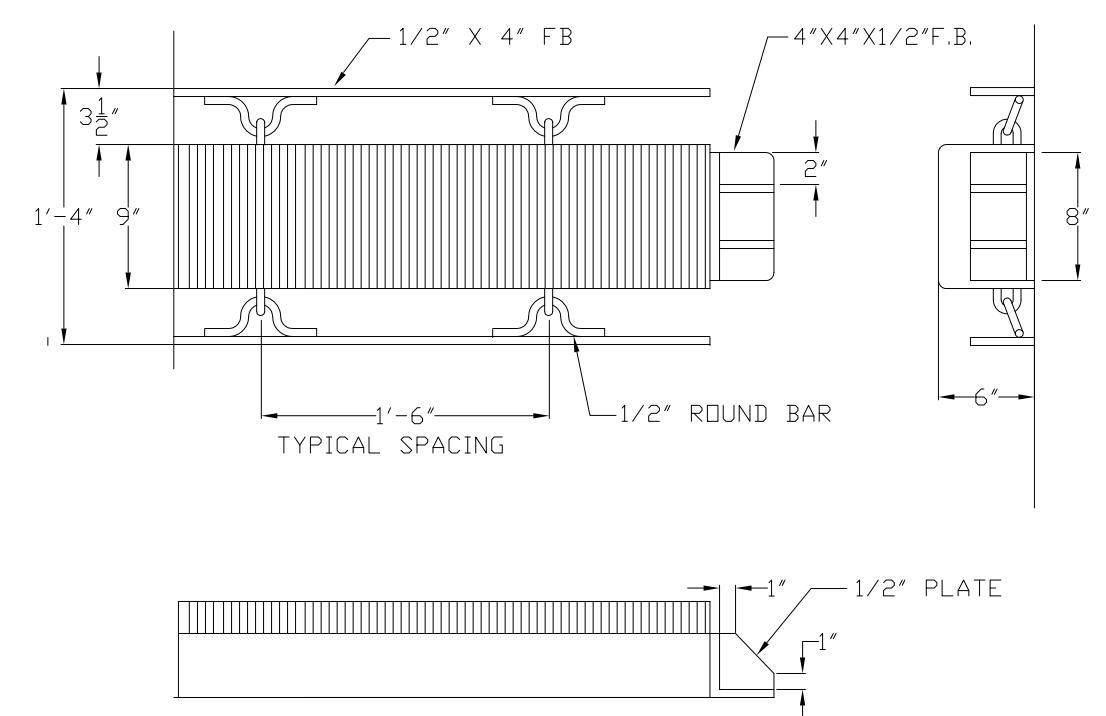
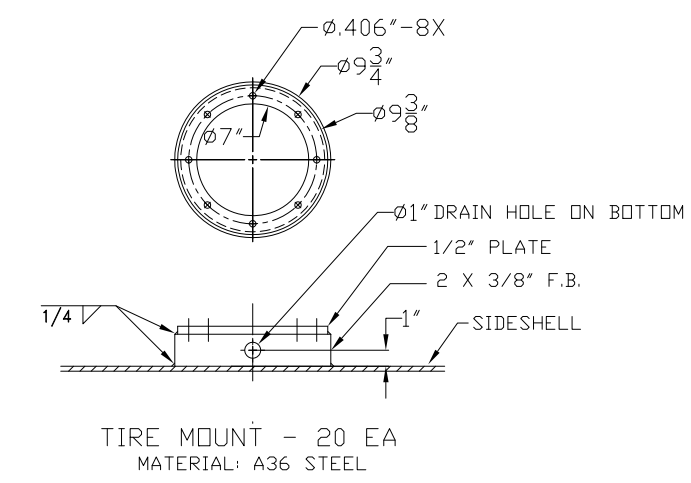
TIRE HOLE DETAIL "A"
 SIZE: 22 X 8-10
 DIMENSIONS: 22"H X 8"W X 10" RIM
 WEIGHT: 28 LBS
 SCALE: 1" = 1'-0"



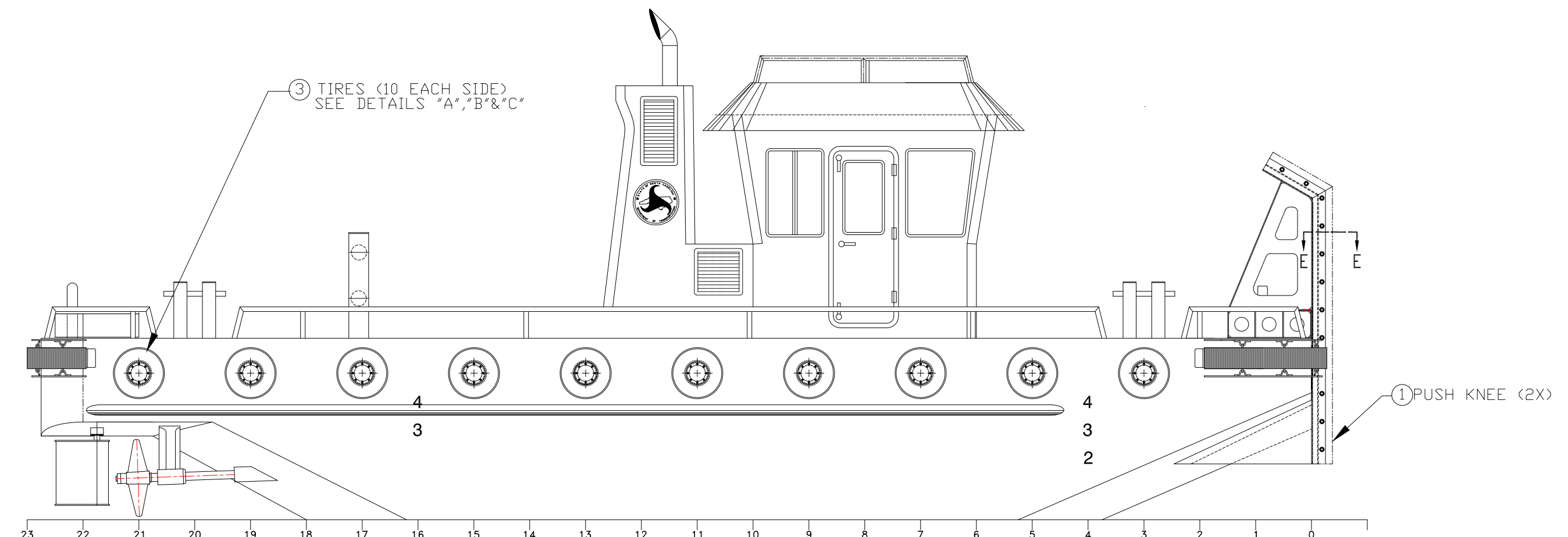
SIDE SHELL TIRES DETAIL "B"
 20 EACH (10 PER SIDE)
 22"H X 8"W X 10" RIM
 SCALE: 1" = 1'-0"



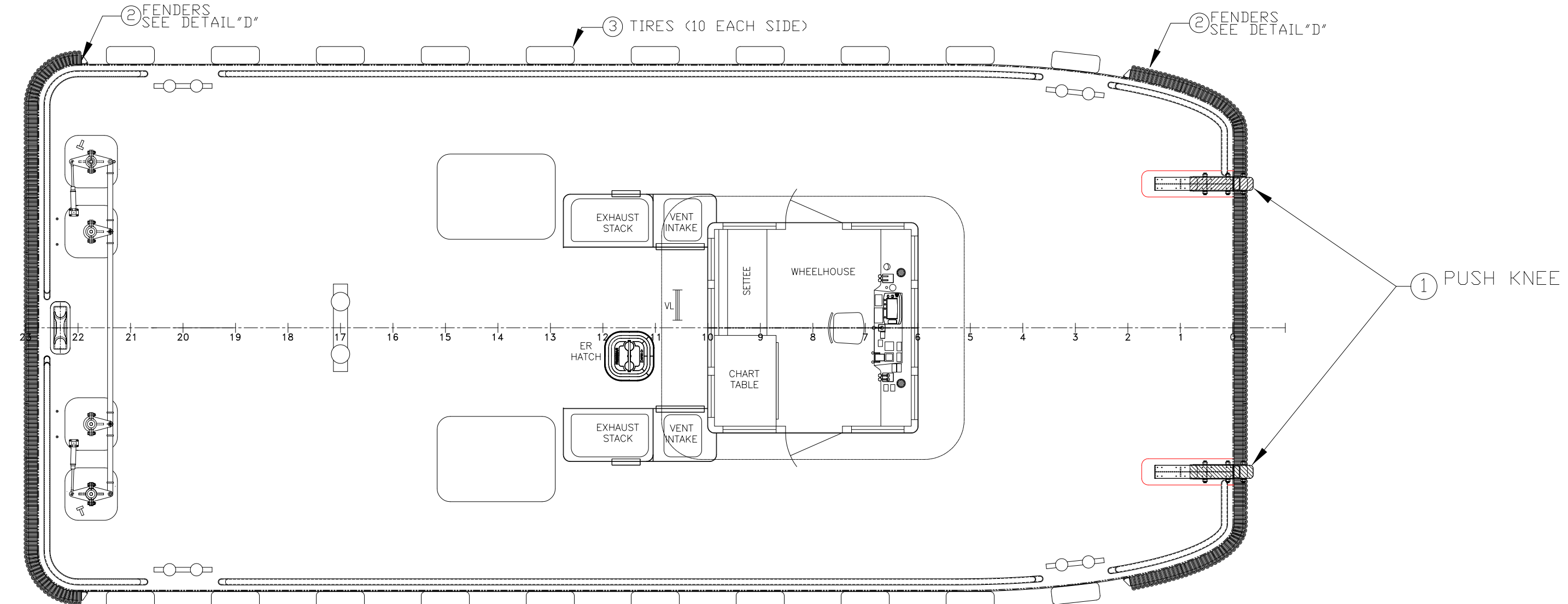
TIRE MOUNT DETAIL "C"
 SIZE: 22 X 8-10
 DIMENSIONS: 22"H X 8"W X 10" RIM
 WEIGHT: 28 LBS
 SCALE: 1" = 1'-0"



BOW AND STERN FENDER DETAIL "D"
 STERN FENDER SHOWN
 SCALE: 1" = 1'-0"

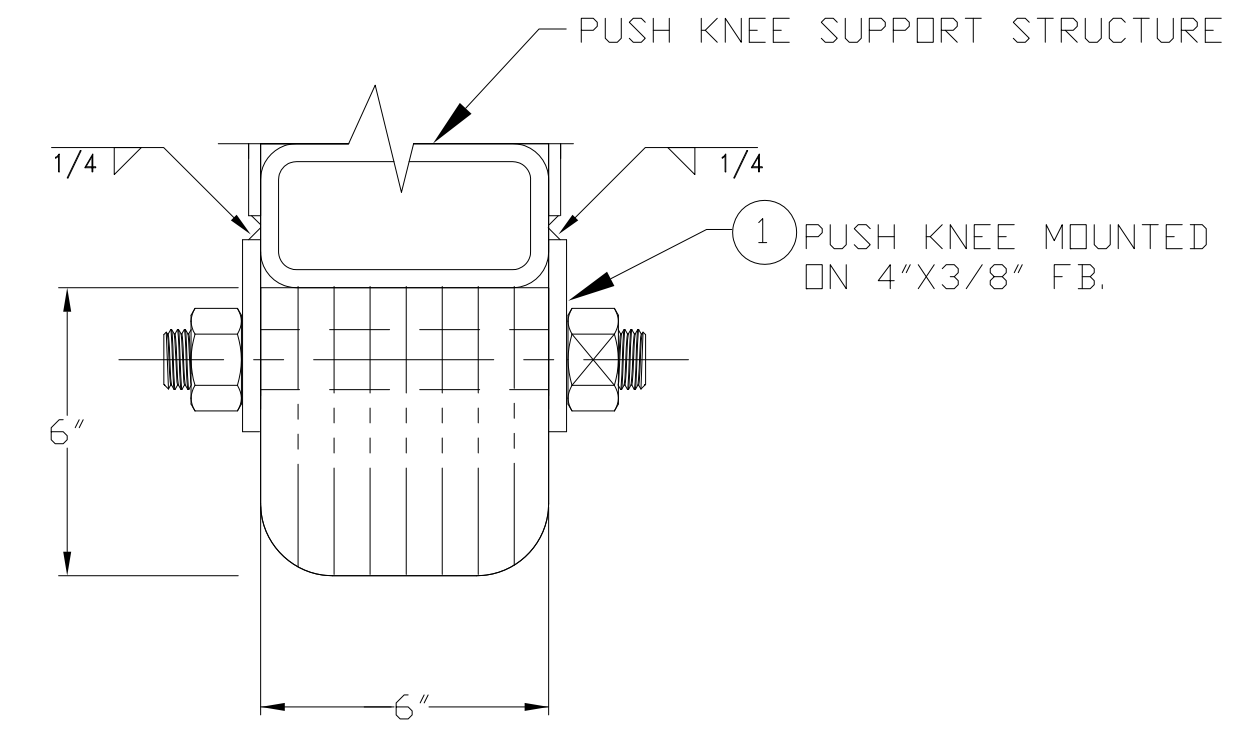


PROFILE
 1/2" = 1'-0"

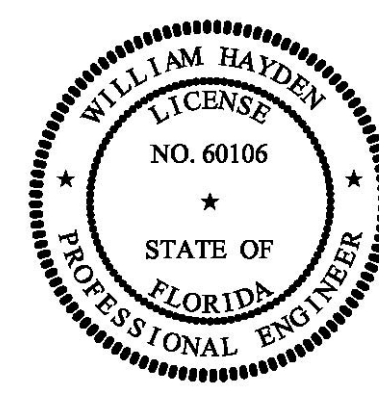


MAIN DECK PLAN
 1/2" = 1'-0"

BILL OF MATERIALS				
BUMPERS & TIRE SCHEDULE				
ITEM	QTY.	DESCRIPTION	MANUFACTURER #	REMARKS
1	AR	PUSH KNEE, 6"W X 6"D, EXTENDED F.B. MOUNT	SCHUYLER MODEL 115	OR EQUAL
2	AR	FENDER, 9" HIGH X 6" DEEP	SCHUYLER MODEL 114 & SR3D	OR EQUAL
3	20	TIRE, AIRCRAFT, 22 X 8-10, 12 PLY		



DETAIL "E" PUSH KNEE SECTION
 MATERIAL: ITEM 1 PUSH KNEE
 SCALE: 3" = 1'-0"



PROFESSIONAL ENGINEER

This document discloses matter in which DeJong & Lebet, Incorporated has proprietary rights. Neither receipt nor possession thereof confers or transfers any right to reproduce, disclose or use in any manner this document in whole or in part or any information contained herein, except by written permission, in writing, by DeJong & Lebet, Incorporated.

In the event of a purchase of this document the purchaser is authorized to construct no more than one device in accord herewith, unless otherwise signed to in writing by DeJong & Lebet, Incorporated.

© 2018 DeJong & Lebet, Inc.

DeJong & Lebet, Inc.
 Naval Architects
 Marine Engineers
 Consultants
 Surveyors

1734 Emerson Street
 Jacksonville, Florida 32207
 www.dejongandlebet.com

Phone: (904) 599-3673
 Fax: (904) 599-1522
 Info@dejongandlebet.com

Title: 45.5'x20'x6.5' NCDOT PUSHBOAT

PUSH KNEE & FENDERS

Dwg. No. 17-1393-684
 Art. No. 0
 Sht. 1 of 1

Drawn By: JAH
 Checked By:
 App'd By:
 ABS App'l:

Date: DECEMBER 19, 2018
 Date:
 Scale: SEE DWG
 USCG App'l: