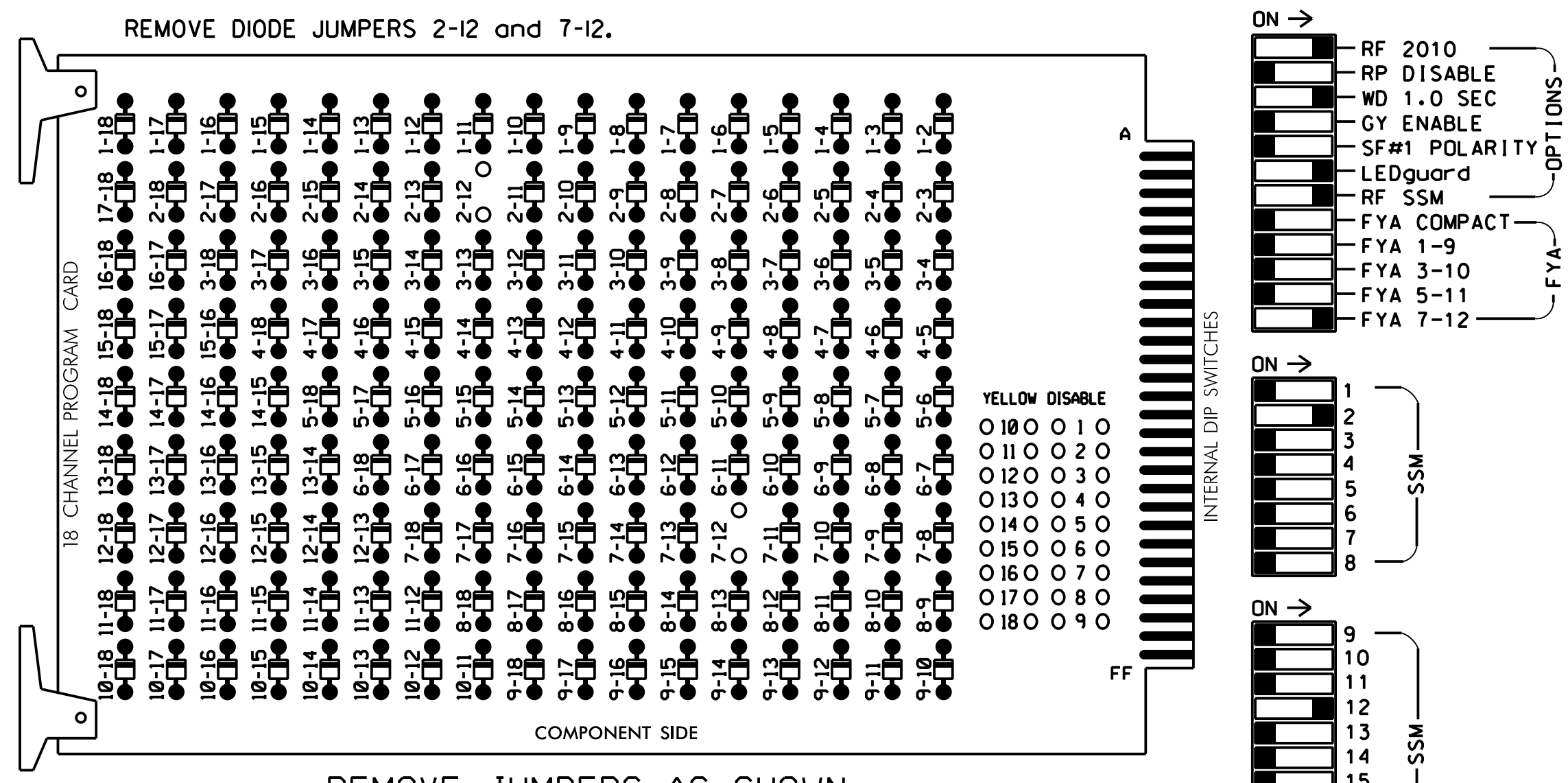


EDI MODEL 2018ECLIP-NC CONFLICT MONITOR PROGRAMMING DETAIL

(remove jumpers and set switches as shown)



NOTES:

1. Card is provided with all diode jumpers in place. Removal of any jumper allows its channels to run concurrently.
2. Ensure jumpers SEL2-SEL5 and SEL9 are present on the monitor board.
3. Ensure that Red Enable is active at all times during normal operation.
4. Integrate monitor with Ethernet network in cabinet.

NOTES

1. To prevent "flash-conflict" problems, insert red flash program blocks for all unused vehicle load switches in the output file. The installer shall verify that signal heads flash in accordance with the Signal Plans.
2. Enable Simultaneous Gap-Out for all Phases.
3. Program phase 2 for Variable Initial and Gap Reduction.
4. Program phase 2 for Startup In Green.
5. Program phase 2 for Yellow Flash.
6. The cabinet and controller are part of the Wilmington Signal System.

SIGNAL HEAD HOOK-UP CHART

LOAD SWITCH NO.	S1	S2	S3	S4	S5	S6	S7	S8	S9	S10	S11	S12	AUX S1	AUX S2	AUX S3	AUX S4	AUX S5	AUX S6
CMU CHANNEL NO.	1	2	13	3	4	14	5	6	15	7	8	16	9	10	17	11	12	18
PHASE	1	2	PED	3	4	PED	5	6	PED	7	8	PED	OLA	OLB	SPARE	OLC	OLD	SPARE
SIGNAL HEAD NO.	NU	21,22	NU	NU	NU	NU	NU	NU	NU	71*	NU	NU	NU	NU	NU	NU	71*	NU
RED		128																
YELLOW		129								*								
GREEN		130																
RED ARROW																		A101
YELLOW ARROW																		A102
FLASHING YELLOW ARROW																		A103
GREEN ARROW										124								

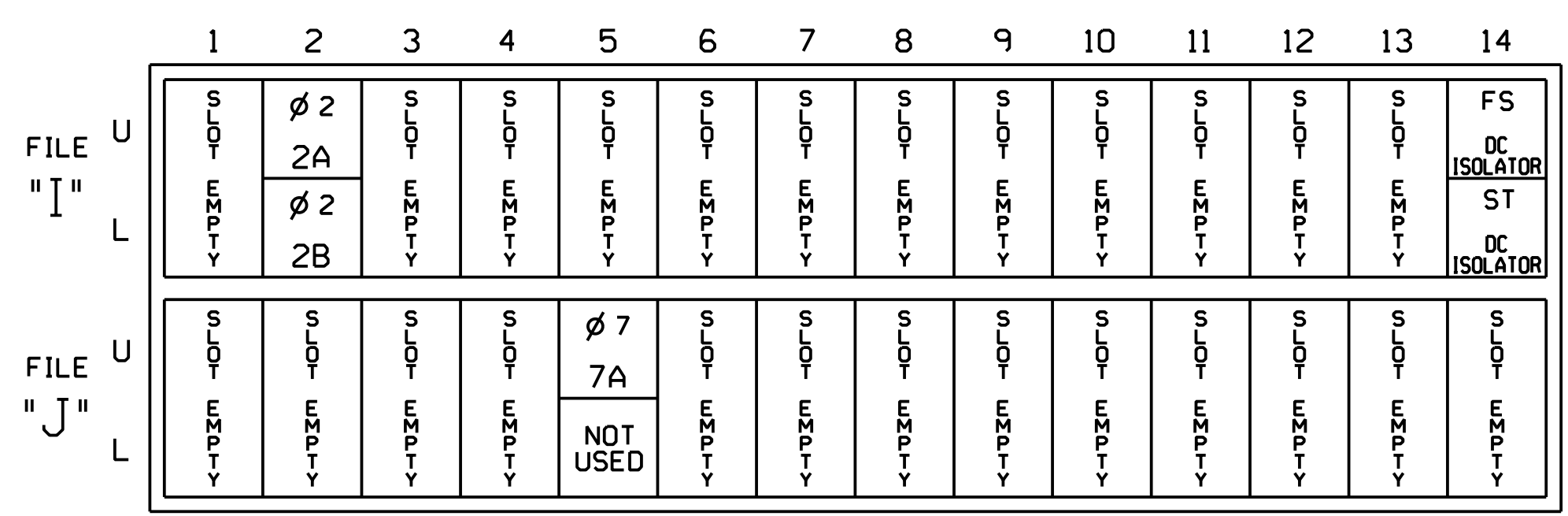
NU = Not Used
 * Denotes install load resistor. See load resistor installation detail this sheet.
 * See pictorial of head wiring in detail this sheet.

EQUIPMENT INFORMATION

CONTROLLER.....2070E
 CABINET.....332 W/ AUX
 SOFTWARE.....ECONOLITE OASIS
 CABINET MOUNT.....BASE
 OUTPUT FILE POSITIONS...18 WITH AUX. OUTPUT FILE
 LOAD SWITCHES USED.....S2,S10,AUX S5
 PHASES USED.....2,7
 OVERLAP "A".....NOT USED
 OVERLAP "B".....NOT USED
 OVERLAP "C".....NOT USED
 OVERLAP "D".....2+7

INPUT FILE POSITION LAYOUT

(front view)



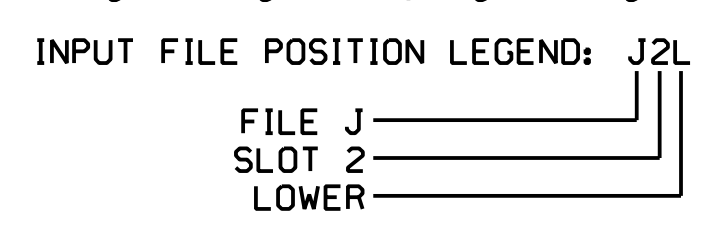
EX.: 1A, 2A, ETC. = LOOP NO.'S

FS = FLASH SENSE
 ST = STOP TIME

INPUT FILE CONNECTION & PROGRAMMING CHART

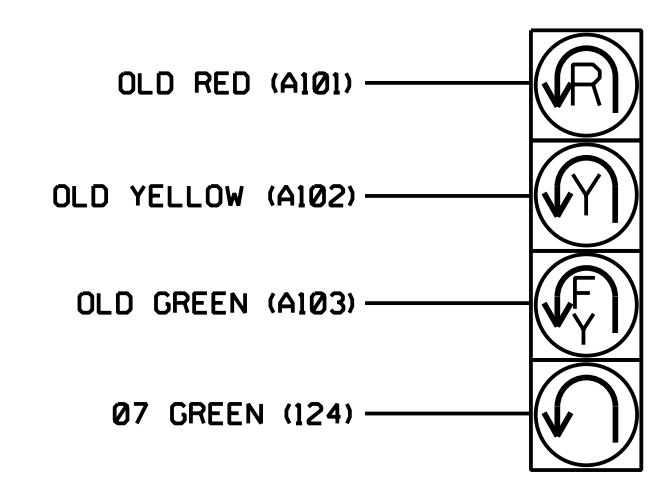
LOOP NO.	LOOP TERMINAL	INPUT FILE POS.	PIN NO.	INPUT ASSIGNMENT NO.	DETECTOR NO.	NEMA PHASE	CALL	EXTEND	FULL TIME DELAY	STRETCH TIME	DELAY TIME
2A	TB2-5,6	I2U	39	1	2	2	Y	Y			
2B	TB2-7,8	I2L	43	5	12	2	Y	Y			
7A	TB5-5,6	J5U	57	19	7	7	Y	Y			10

*See Input Page Assignment programming details on sheet 3.



FYA SIGNAL WIRING DETAIL

(wire signal heads as shown)



71

NOTE

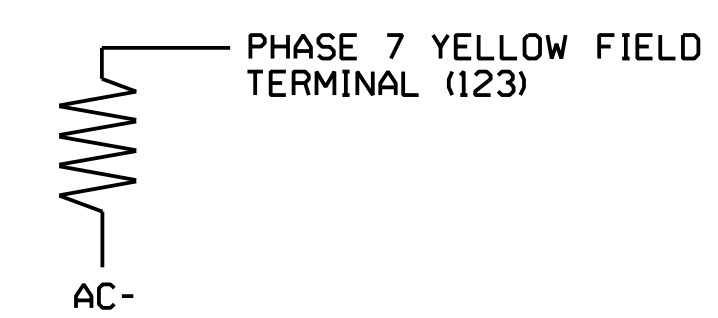
The sequence display for signal head 71 requires special logic programming. See sheet 2 for programming instructions.

THIS ELECTRICAL DETAIL IS FOR THE SIGNAL DESIGN: 03-1130
 DESIGNED: February 2018
 SEALED: 8-1-18
 REVISED: N/A

LOAD RESISTOR INSTALLATION DETAIL

(install resistors as shown below)

VALUE (ohms)	WATTAGE
1.5K - 1.9K	25W (min)
2.0K - 3.0K	10W (min)



Electrical Detail - Sheet 1 of 4
 New Installation

DOCUMENT NOT CONSIDERED FINAL UNLESS ALL SIGNATURES COMPLETED

Prepared for:

 750 N. Greenfield Pkwy, Corner, NC 27529

Electrical and Programming Details For:
 NB US 17 (Market Street) at U-Turn North of SR 2082 (Greenview Drive)
 Division 03 New Hanover Co. Wilmington
 PLAN DATE: February 2018 REVIEWED BY: A.D. Klinksiek
 PREPARED BY: A.H. Thornburg REVIEWED BY: N.R. Simmons

REVISIONS	INIT.	DATE

SEAL

 SEAL 031464
 NATASHA R. SIMMONS
 ENGINEER

HNTB
 HNTB NORTH CAROLINA, P.C.
 343 E. Six Forks Road, Suite 200
 Raleigh, North Carolina 27609
 NC License No: C-1554
 (919) 546-8997

DocuSigned by:
 Natasha R. Simmons 8/1/2018
 SIGNATURE DATE
 SIG. INVENTORY NO. 03-1130