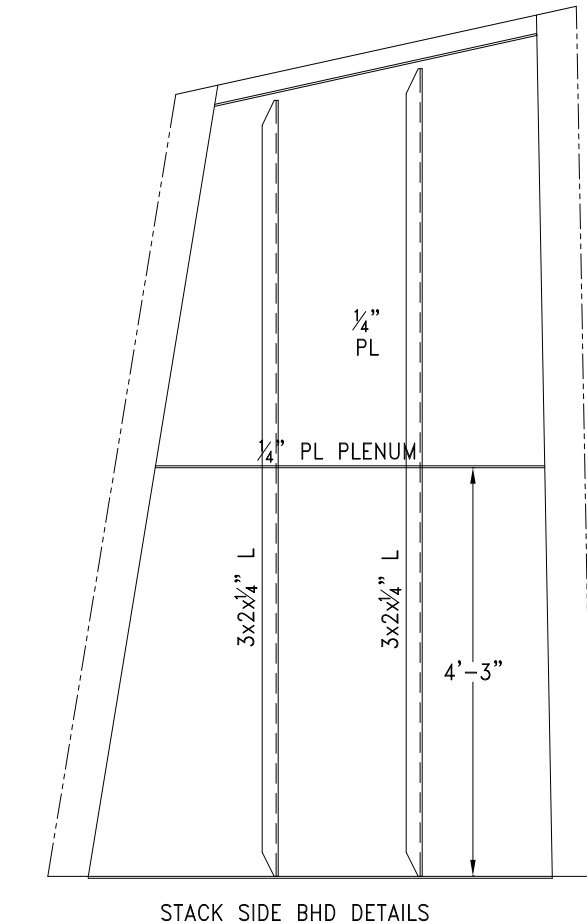
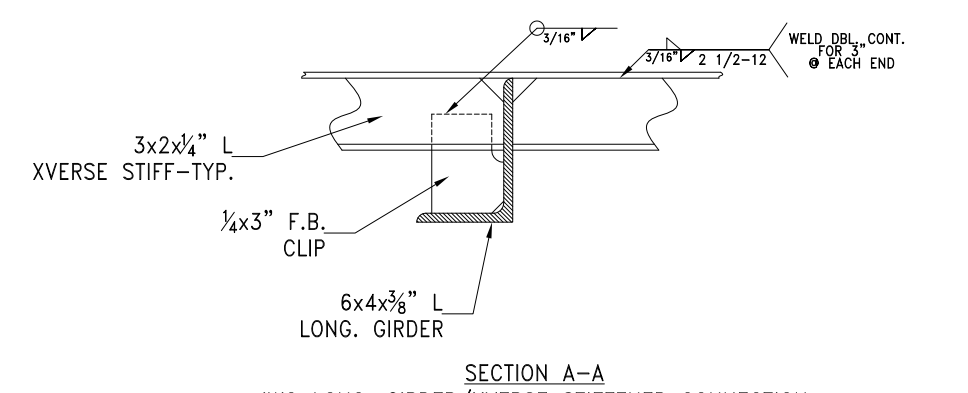


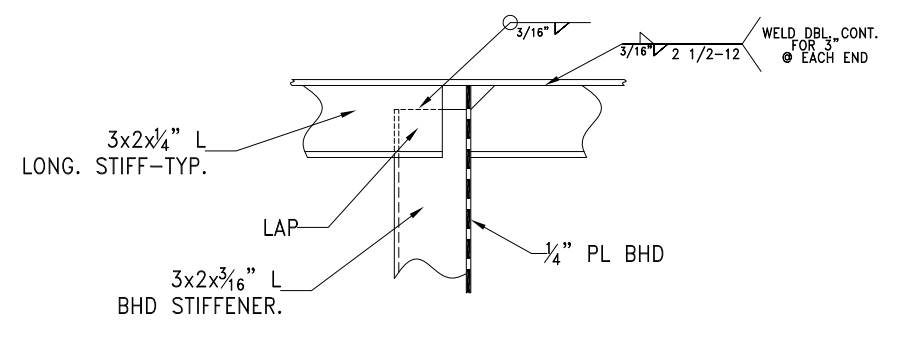
2ND DECK STRUCTURAL DETAILS  
 1/4" PL W/ 3x2 1/2" L ON 12" CNTRS  
 UNLESS OTHERWISE NOTED



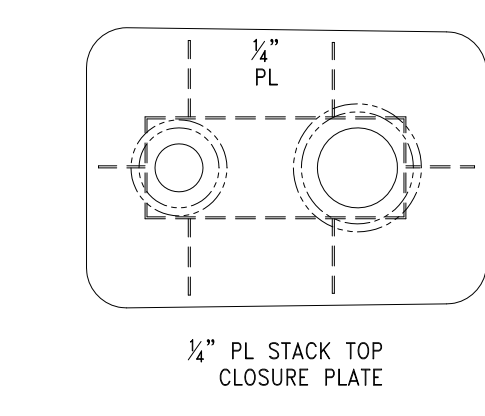
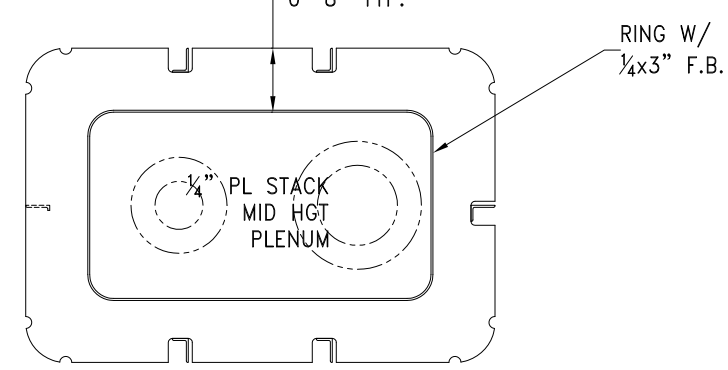
STACK SIDE BHD DETAILS



SECTION A-A  
 TWO LONG GIRDER/XVERSE STIFFENER CONNECTION  
 SCALE: 1 1/2" = 1'-0"



TYPICAL SECTION B-B  
 DECK STIFFENERS  
 BHD CONNECTION  
 SCALE: 1 1/2" = 1'-0"

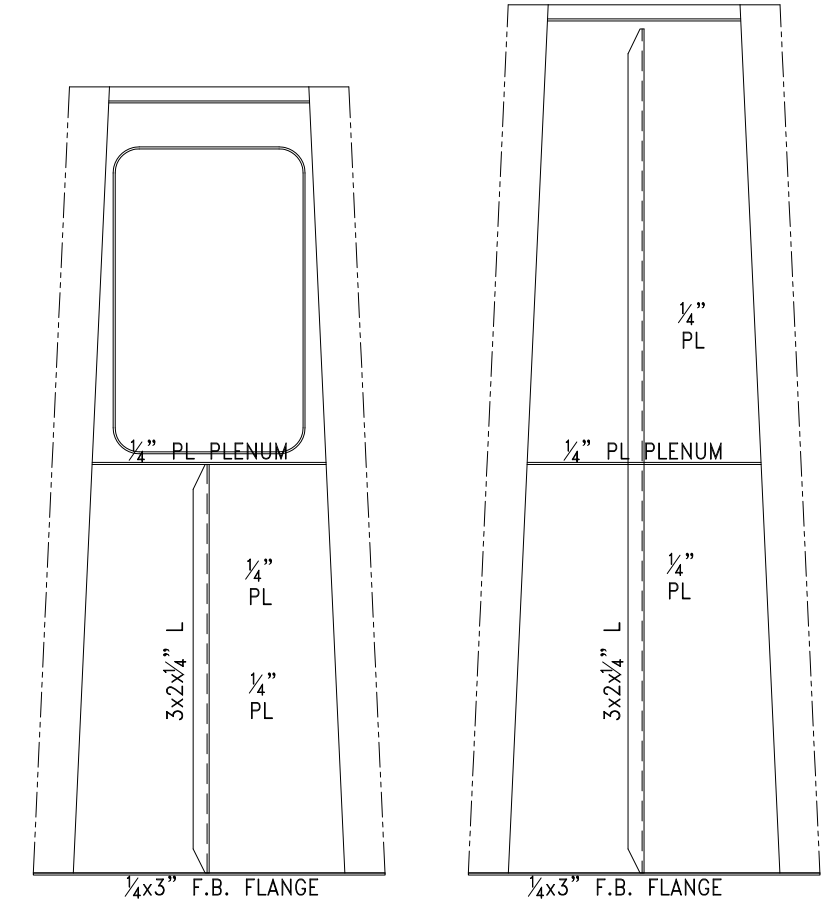


1/4" PL STACK TOP CLOSURE PLATE

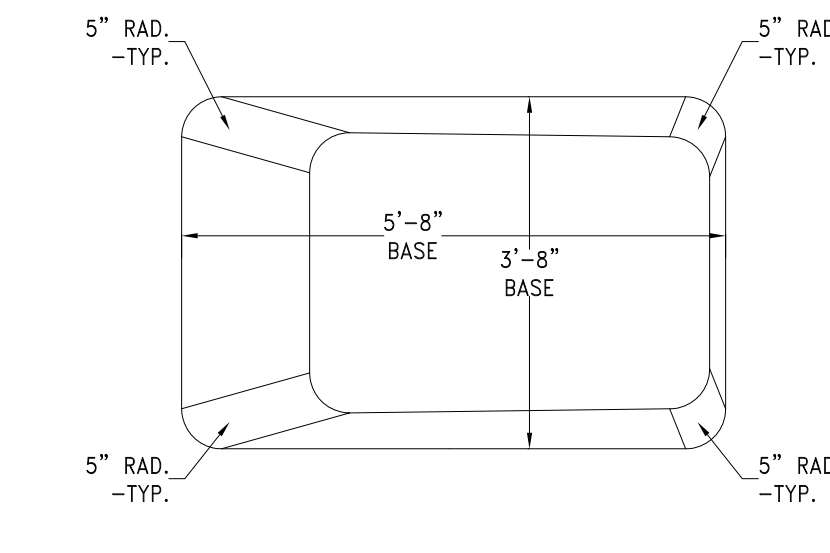
WELD SCHEDULE-TYPICAL

WELD DEL. CONT. EACH END	3/16" x 1/2" x 10"	GIRDERS TO DECK PLATE
WELD DEL. CONT. EACH END	3/16" x 1/2" x 12"	1. STIFFENERS TO DECK PLATE 2. STIFFENERS TO BHD'S
	3/16"	1. CORNER BRACKETING 2. STIFFENER LAPS 3. MULLIONS @ ENDS
	3/16" x 1/2" x 12"	LOWER BULKHEAD EDGE TO DECKS
	3/16" x 1/2" x 12"	UPPER BULKHEAD EDGE TO DECKS

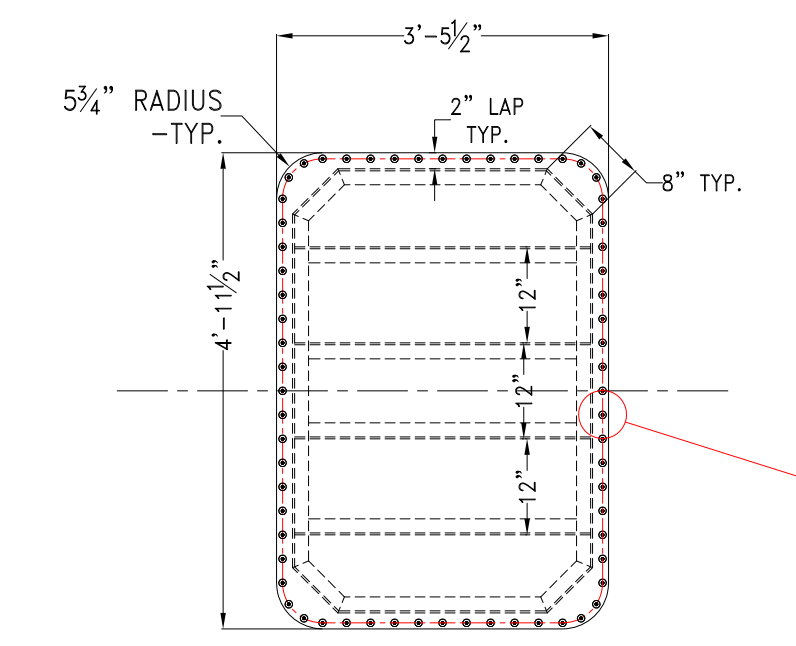
ALL DECKHOUSE CONSTRUCTION  
 5086 H116 AL. PLATING  
 6061-T6 AL. EXTRUSIONS



STACK FORE & AFT BHD DETAILS

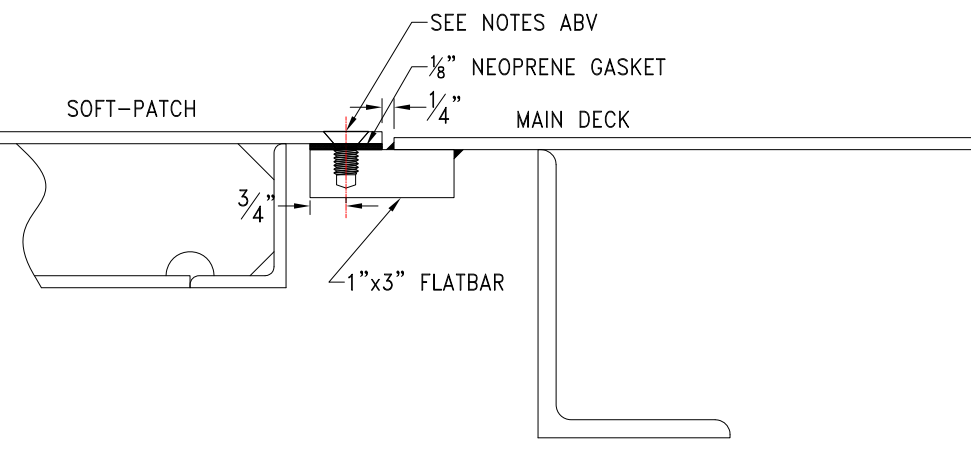


5" RAD. -TYP.

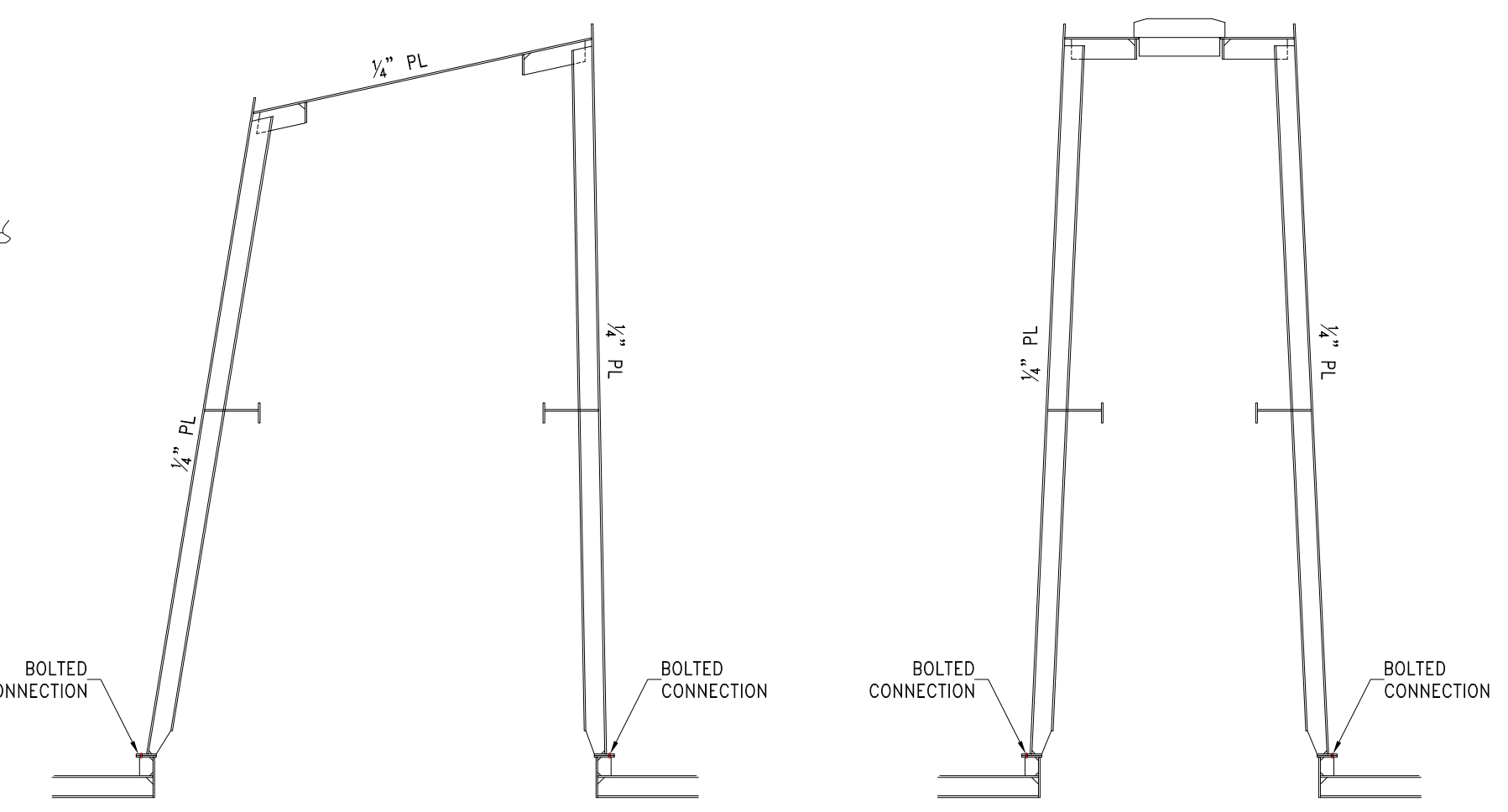


2ND DK SOFT-PATCH  
 1/4" PL W/  
 3x2 1/2" L STIFFS AS SHOWN  
 MATERIAL: ALUMINUM, 5086-H116 PLATE, 6061-T6 SHAPES

- NOTES:
1. DRILL & TAP 1"x3" FB 1/2-13 X 1" DEEP
  2. COUNTERSINK HATCH COVER 3/8" X 8"
  3. INSTALL 3/4"x1-1/2" 316 STAINLESS STEEL FLATHEAD SCREWS ON 3" CNTRS
  4. APPLY TEFF GEL TO SCREW THREADS PRIOR TO INSTALLATION

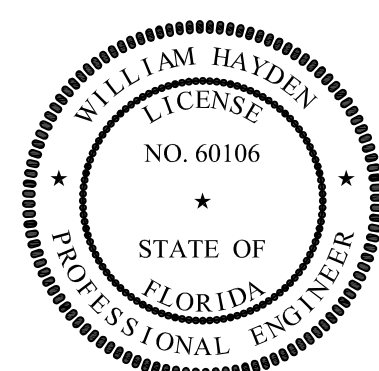


2ND DECK SOFTPATCH FASTENER DETAILS  
 -NO SCALE-



LONGITUDINAL SECTION  
 @ STACK CL

TYP. XVERSE STACK STRUCTURAL SECTION



PROFESSIONAL ROLES  
 This document discloses matter in which DeJong & Lebel, Incorporated has proprietary rights. Neither receipt nor possession thereof confers or transfers any right to reproduce, disclose or use in any manner this document in whole or in part or any information contained herein, except by written permission, or written agreement with DeJong & Lebel, Incorporated.  
 In the event of a purchase of this document the purchaser is authorized to construct no more than one device in accord herewith, unless otherwise signed to in writing by DeJong & Lebel, Incorporated.  
 © 2018 by DeJong & Lebel, Inc.

**DeJong & Lebel, Inc.**  
 Naval Architects  
 Marine Engineers  
 Consultants  
 Surveyors

1734 Emerson Street  
 Jacksonville, Florida 32207  
 www.dejongandlebel.com

Phone: (904) 599-3673  
 Fax: (904) 599-1522  
 Info@dejongandlebel.com

Title: 70.5'x30'x11' NCDOT TOWBOAT

**2ND DECK STRUCTURAL DETAILS**

Dwg. No. 17-1372-132 Alt. No. 0  
 Sht. 1 of 1

Drawn By: JACOB CONNALLY Date: JUNE 05, 2018  
 Checked By: \_\_\_\_\_ Date: \_\_\_\_\_  
 App'd By: \_\_\_\_\_ Scale: 1/2" = 1'-0"  
 ABS App'l: \_\_\_\_\_ USCG App'l: \_\_\_\_\_