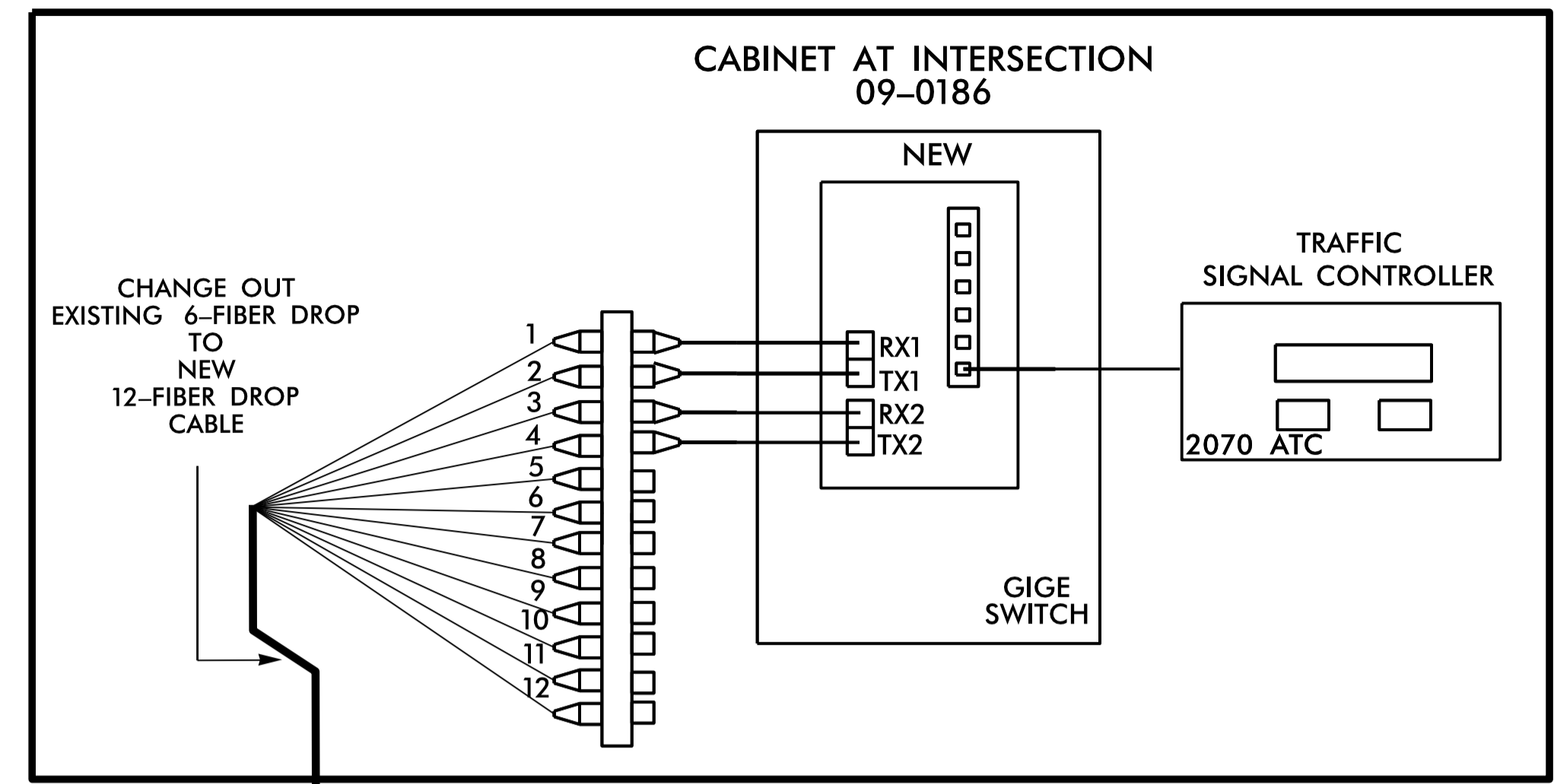


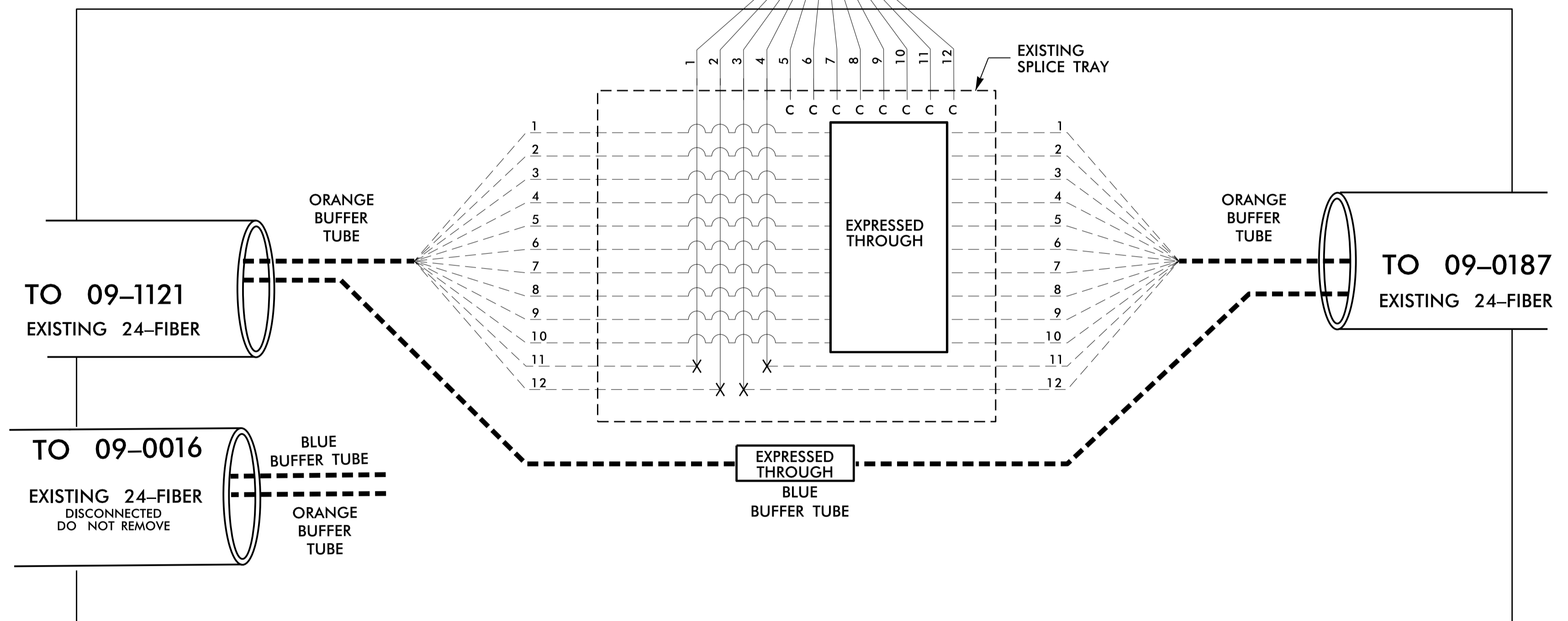
**MODIFY EXISTING AERIAL SPLICE ENCLOSURE  
LIBERTY STREET AT  
GLENN AVENUE  
SIG. INV. # 09-0186**

**Notes:**  
Unused fibers left coiled and stored in splice tray.  
Unused Buffer Tubes left coiled and stored in splice tray.

COLOR CODE TIA/EIA 598-A		LEGEND	
(1) BLUE	(7) RED	C - CAP AND SEAL	
(2) ORANGE	(8) BLACK	X - FUSION SPLICE INDIVIDUAL FIBER	
(3) GREEN	(9) YELLOW	EXPRESS THROUGH	SPLICE FIBERS THROUGH OR EXPRESS ENTIRE BUFFER TUBE AS NOTED
(4) BROWN	(10) VIOLET		
(5) SLATE	(11) ROSE		
(6) WHITE	(12) AQUA		



**SPLICE PLANS SHOULD MATCH  
SPLICE CONFIGURATIONS  
RECORDED IN TMP PHASE 1  
EXCEPT THE CHANGE OUT  
FROM 6 TO 12  
FIBER DROP CABLE.**



- NOTES:**
- ETHERNET SWITCH TERMINATION CONFIGURATIONS ARE GENERIC. CONTRACTOR IS RESPONSIBLE FOR DETERMINING \ ENSURING PROPER TERMINATIONS.
  - INCLUDE ON THE COVER OF EACH SPLICE TRAY THE FOLLOWING: REFERENCE SECTION 1731 "FIBER OPTIC SPLICE ENCLOSURE"
    - SPLICE LOCATION
    - DATE
    - COMPANY NAME
    - NAME OF INDIVIDUAL PERFORMING THE SPLICING

**PRIOR TO INSTALLING THE COVER ON THE SPLICE TRAY TAKE A DIGITAL PHOTOGRAPH SHOWING THE SPLICE TRAY AND INFORMATION SHOWN ABOVE (1-4) AND SUBMIT PHOTOGRAPH ALONG WITH OTDR TEST RESULTS.**

**FINAL PHASE**

**DOCUMENT NOT CONSIDERED FINAL UNLESS ALL SIGNATURES COMPLETED**

Prepared in the Offices of:

**SPLICE PLANS**

DIVISION 9 FORSYTH WINSTON SALEM

PLAN DATE: DECEMBER 2017 REVIEWED BY: I. M. LARRY

PREPARED BY: H. T. BERGGREN, EI

SCALE: 0 N/A

SEAL: 032108

DATE: 1/2/2018