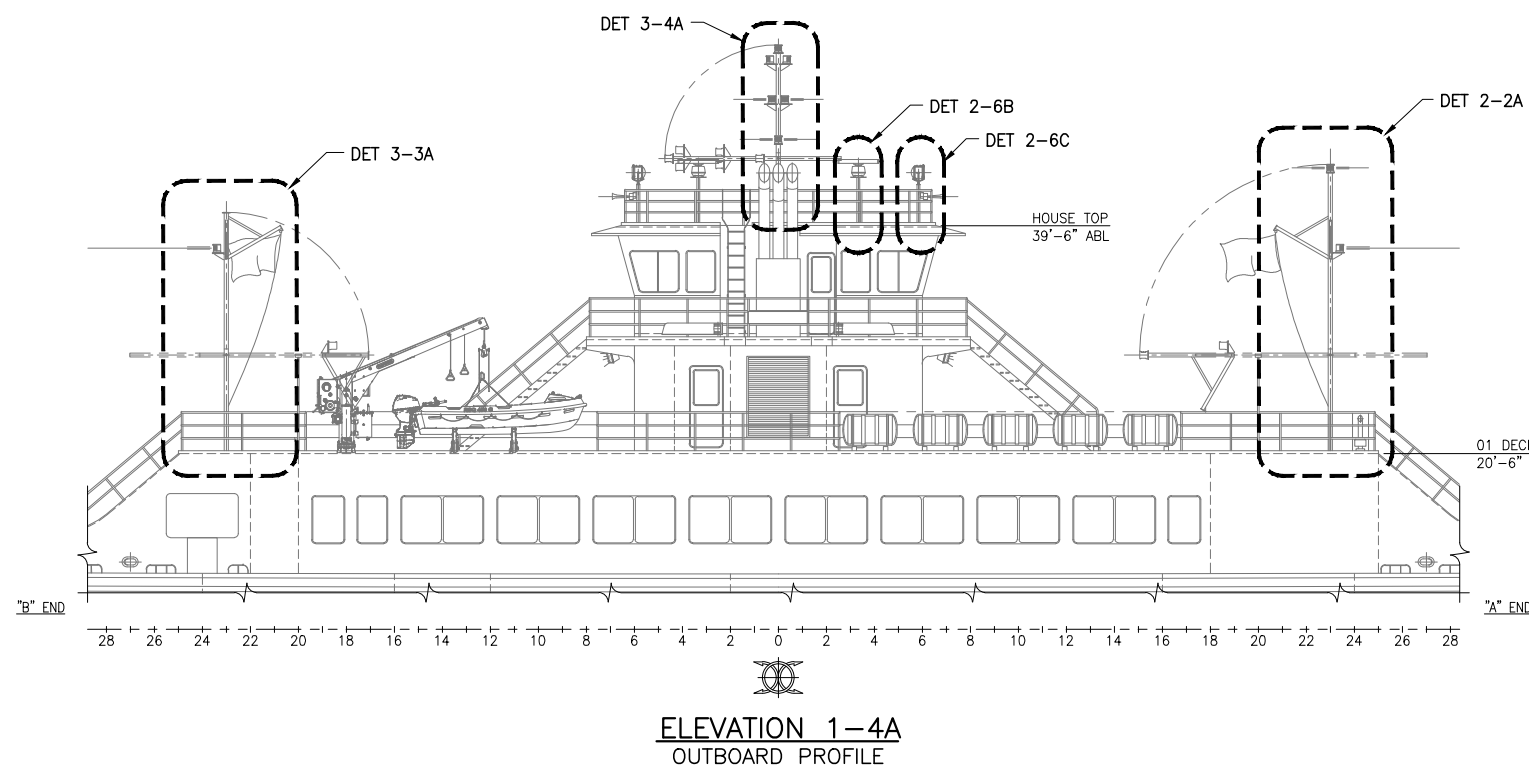
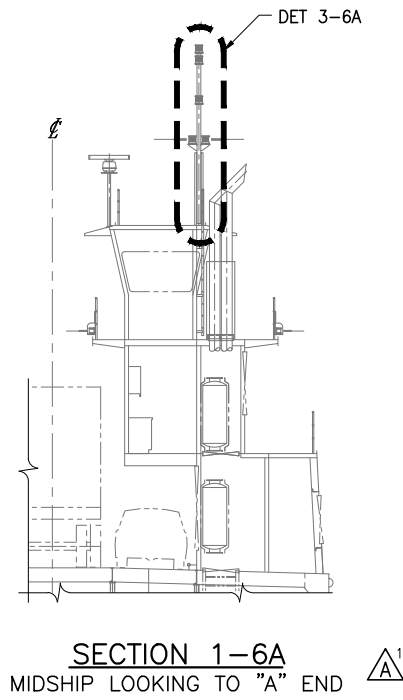
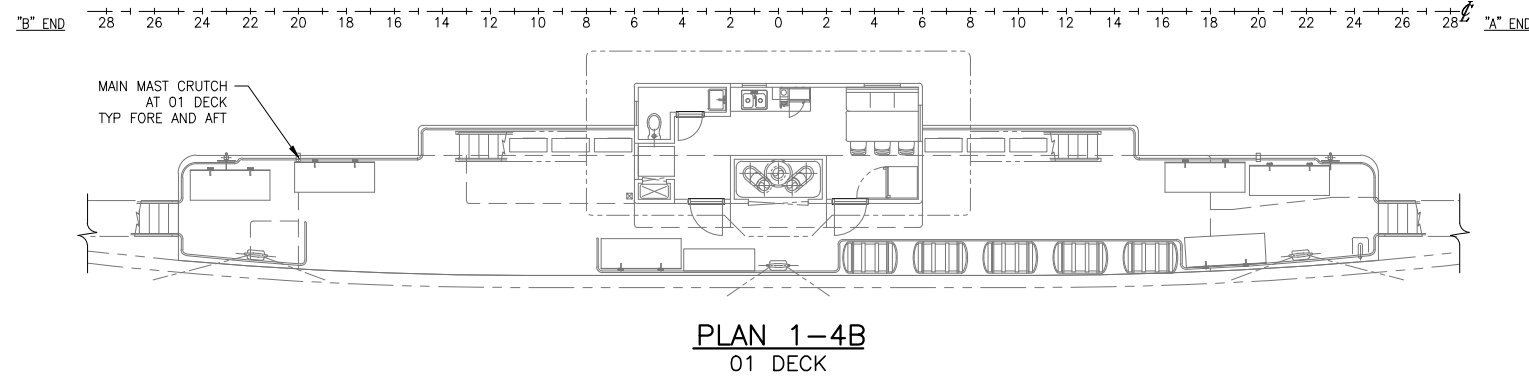
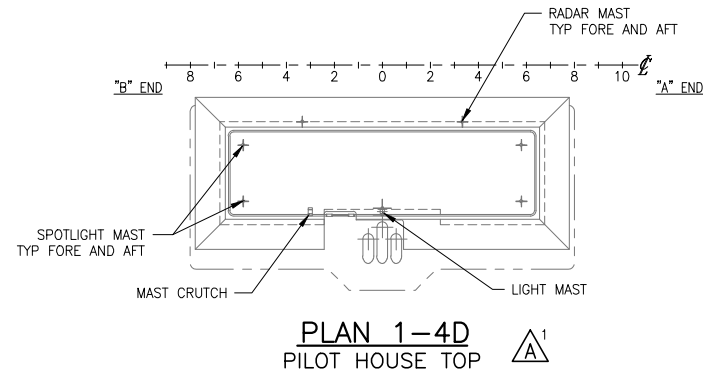


CONFIDENTIAL AND PROPRIETARY PROPERTY OF  
**EBDG - NC, PLLC**  
 MAY NOT BE USED FOR CONSTRUCTION OR PROVIDED TO  
 ANY THIRD PARTIES WITHOUT PRIOR WRITTEN CONSENT.  
 ©2018 ELLIOTT BAY DESIGN GROUP.



REVISION HISTORY

REV	ZONE	DESCRIPTION	DWN	DATE	APVD
A	1-6A 1-4D 3-6A	1. MOVED MIDSHIP MAST TO SAME TRANSVERSE CENTER AS END MASTS	SKW	7/31/18	SKW

GENERAL NOTES

1. VESSEL TO BE CONSTRUCTED IN ACCORDANCE WITH 46 CFR SUBCHAPTER H REGULATIONS.
2. FRAME SPACING IS 24" UNLESS NOTED OTHERWISE.
3. CONTRACTOR SHALL VERIFY STRUCTURE AND FOUNDATIONS FOR ALL MASTS PRIOR TO CONSTRUCTION. SEE REFERENCE 1.
4. CONTRACTOR SHALL BALANCE THE MASTS ABOUT THE PIVOT POINT FOR EASE OF LOWERING AND RAISING THE MASTS USING A LENGTH OF SOLID STEEL MATCHING THE SIZE OF THE MAST SQUARE TUBE.

REFERENCES

1. 18026-200-832-1 TECHNICAL SPECIFICATION
2. 18026-200-061-1 SCANTLING CALCULATIONS
3. 18026-200-101-1 PROFILES AND DECK ARRANGEMENTS
4. 18026-200-120-1 MIDSHIP SECTION
5. 18026-200-150-1 SUPERSTRUCTURE MAIN DECK TO 01 DECK
6. 18026-200-150-2 SUPERSTRUCTURE 01 DECK TO PILOT HOUSE TOP
7. 18026-200-422-1 NAVIGATION LIGHTING ARRANGEMENT AND BLOCK DIAGRAM



**Elliott Bay Design Group**  
 North Carolina, PLLC

CLIENT: NORTH CAROLINA D.O.T.  
 RALEIGH, NORTH CAROLINA

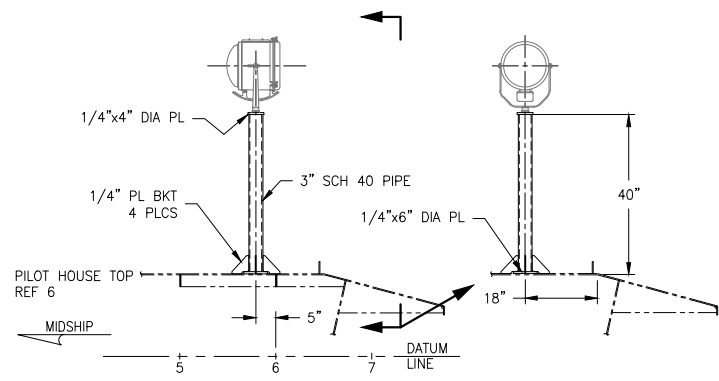
PROJECT: DOUBLE-ENDED AZIMUTH DRIVE FERRY

TITLE: MASTS

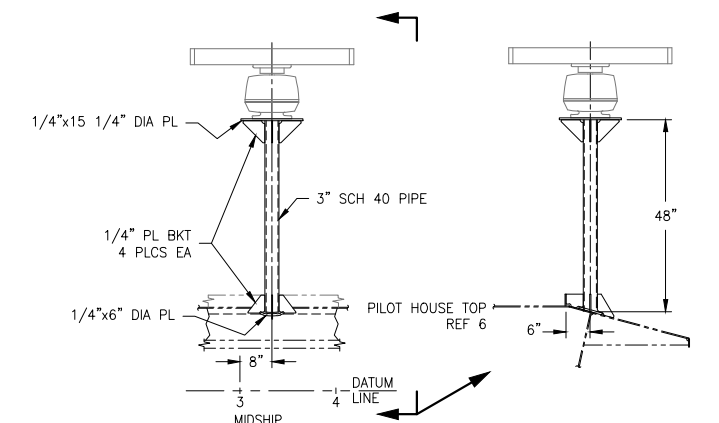
SIZE: D	DWG NO.: 18026-200-170-1	REV: A
SCALE: 1/8"=1'-0"	FILE NAME: 18026-200-170-1A	SHEET 1 OF 3
DWN: JEH	MOD: SKW	APVD: SKW
		APVD DATE: 7/27/2018



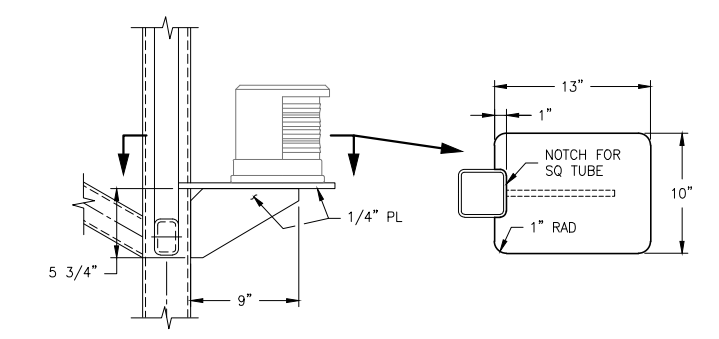
8/3/2018 2:45:33 PM



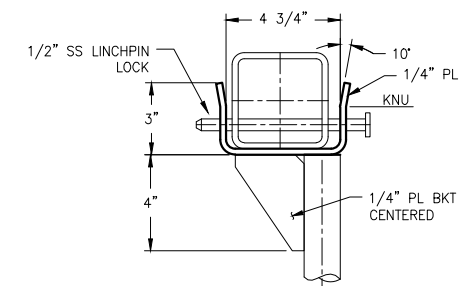
**DETAIL 2-6C**  
 SPOTLIGHT MAST  
 'A' END SHOWN, 'B' END SIM, OPP  
 4 REQUIRED, 2 AT EACH END



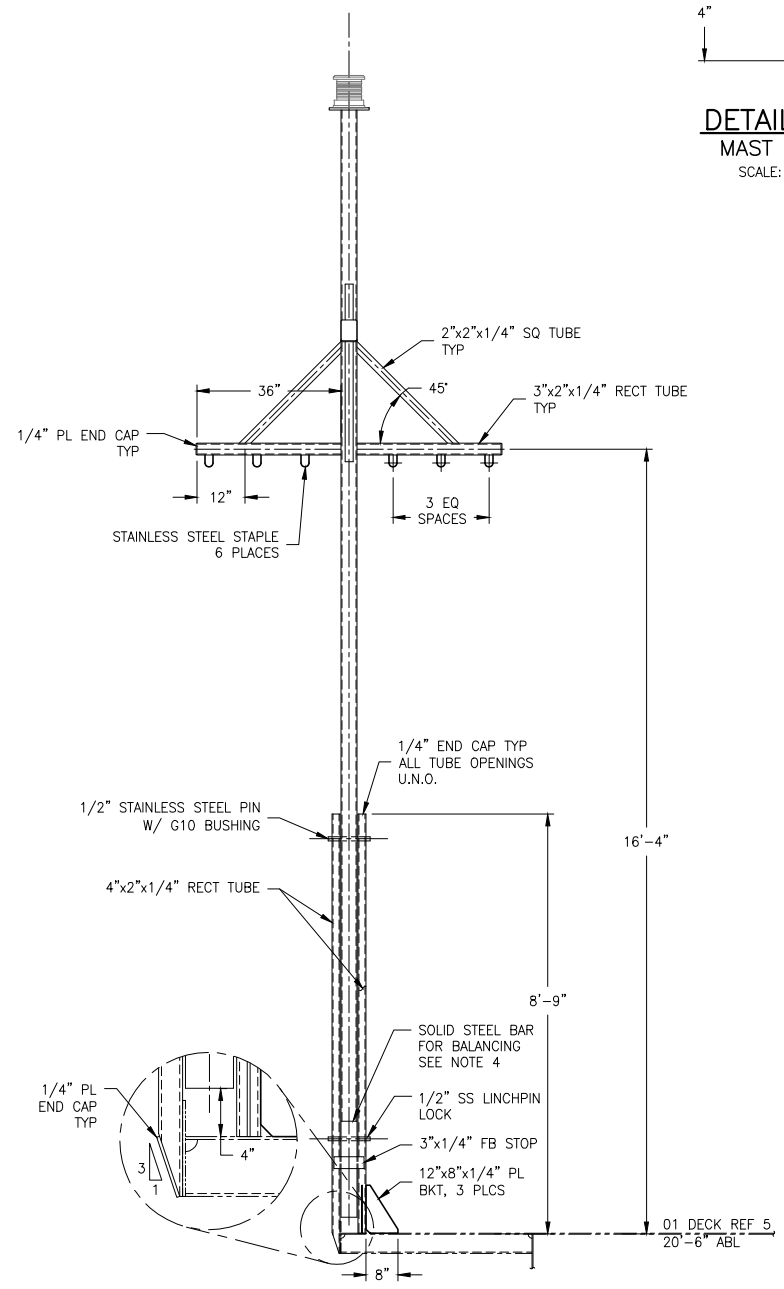
**DETAIL 2-6B**  
 RADAR MAST  
 'A' END SHOWN, 'B' END SIM, OPP  
 2 REQUIRED, 1 AT EACH END



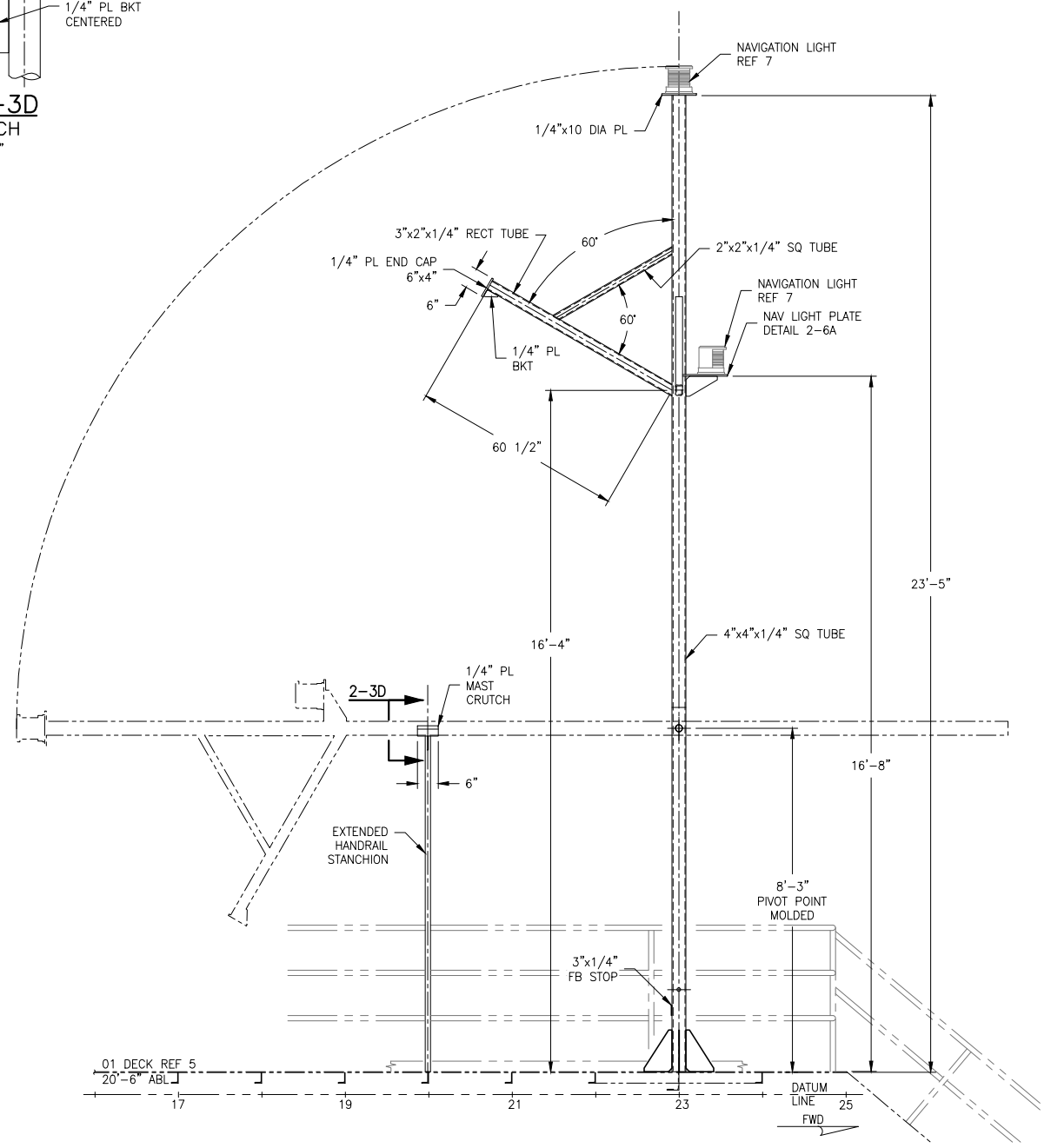
**DETAIL 2-6A**  
 TYP NAV LIGHT PLATE  
 SCALE: 1 1/2"=1'-0"



**DETAIL 2-3D**  
 MAST CRUTCH  
 SCALE: 3"=1'-0"



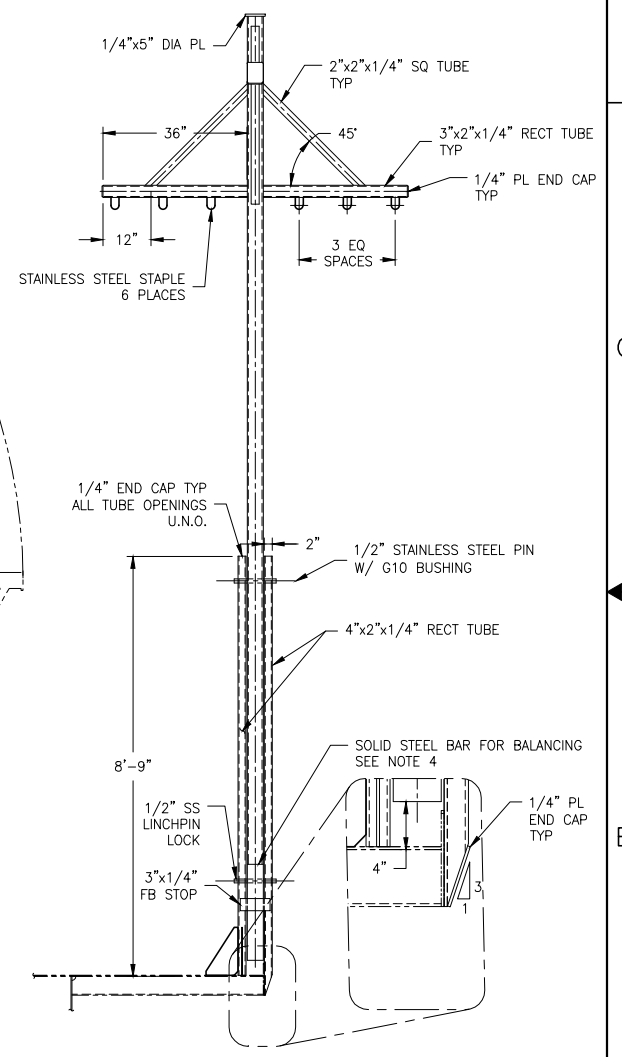
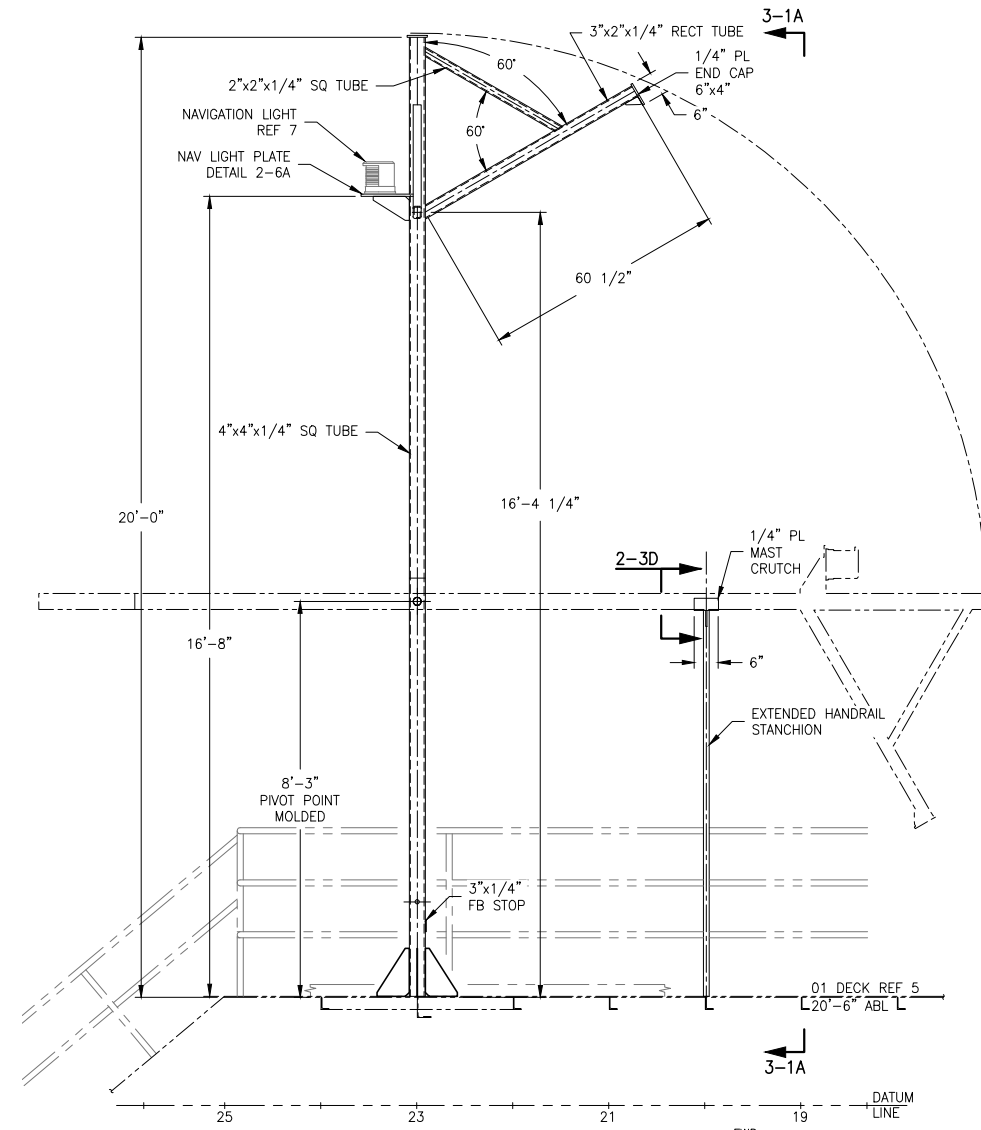
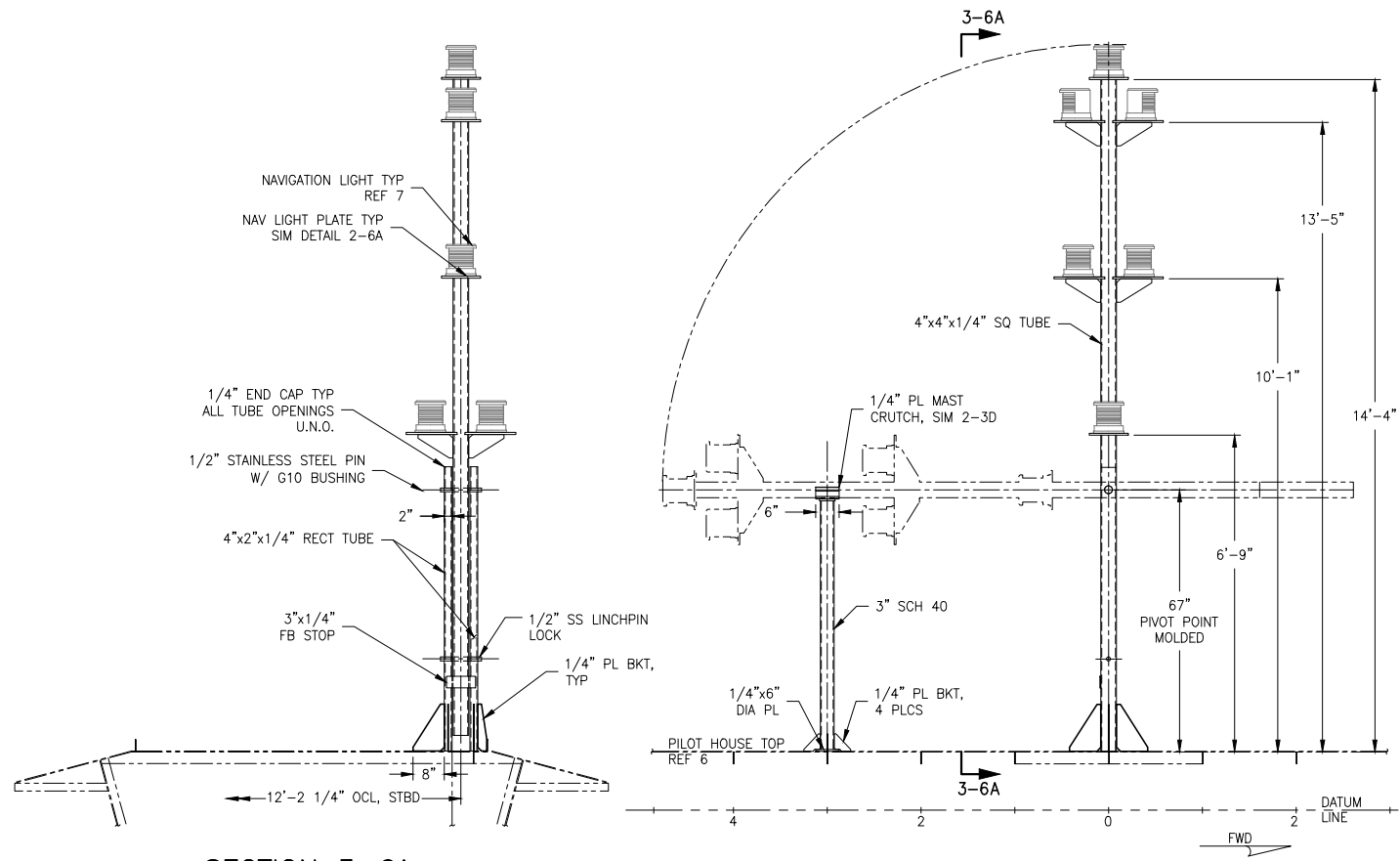
**SECTION 2-4A**  
 FRAME 23, LOOKING TO "A" END



**ELEVATION 2-2A**  
 MAIN MAST  
 'A' END LKG PORT



SIZE	D	DWG NO.	18026-200-170-1	REV	A
SCALE	1/2"=1'-0" U.N.O.	FILE NAME	18026-200-170-1A	SHEET	2 OF 3



SIZE	D	DWG NO.	18026-200-170-1	REV	A
SCALE	1/2"=1'-0"	FILE NAME	18026-200-170-1A	SHEET	3 OF 3