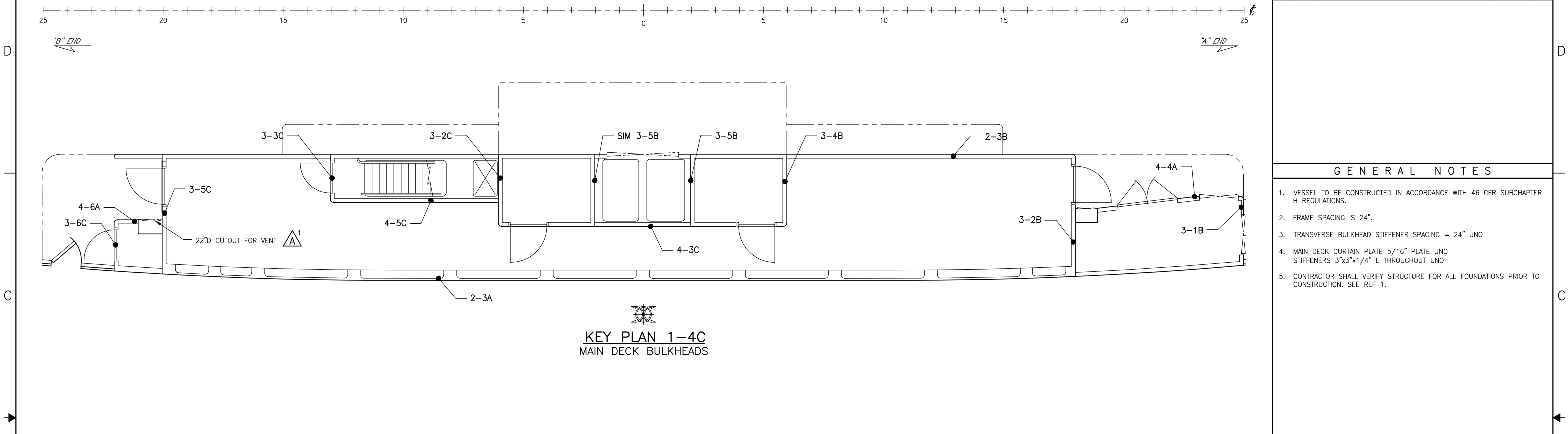


CONFIDENTIAL AND PROPRIETARY PROPERTY OF  
**EBDG - NC, PLLC**  
 MAY NOT BE USED FOR CONSTRUCTION OR PROVIDED TO  
 ANY THIRD PARTIES WITHOUT PRIOR WRITTEN CONSENT.  
 ©2018 ELLIOTT BAY DESIGN GROUP.

REVISION HISTORY					
REV	ZONE	DESCRIPTION	DWN	DATE	APVD
A	1-5C	1. CHANGED VENT CALLOUT	SKW	8/2/18	SKW



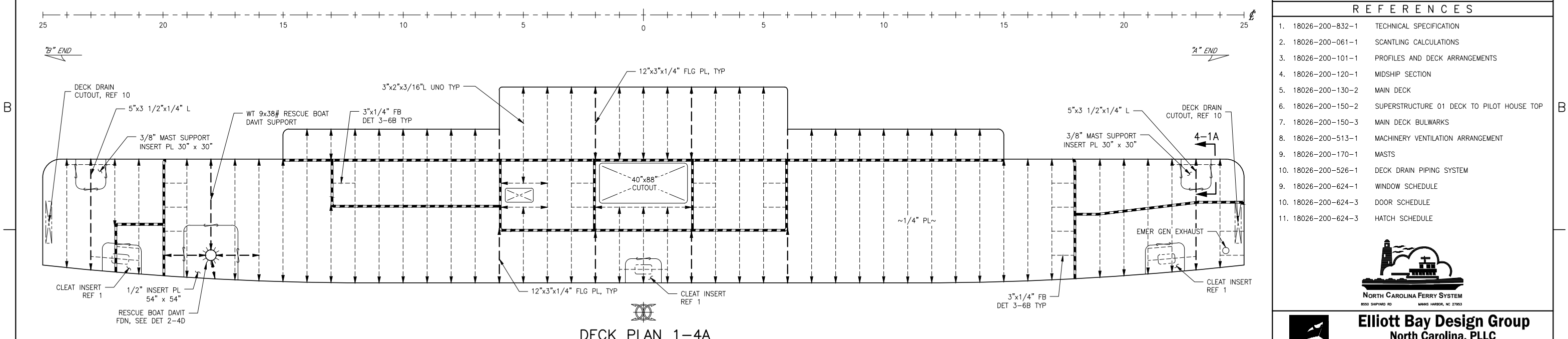
**KEY PLAN 1-4C**  
 MAIN DECK BULKHEADS

**GENERAL NOTES**

1. VESSEL TO BE CONSTRUCTED IN ACCORDANCE WITH 46 CFR SUBCHAPTER H REGULATIONS.
2. FRAME SPACING IS 24\".
3. TRANSVERSE BULKHEAD STIFFENER SPACING = 24\" UNO
4. MAIN DECK CURTAIN PLATE 5/16\" PLATE UNO STIFFENERS 3\"x3\"x1/4\" L THROUGHOUT UNO
5. CONTRACTOR SHALL VERIFY STRUCTURE FOR ALL FOUNDATIONS PRIOR TO CONSTRUCTION. SEE REF 1.

**REFERENCES**

1. 18026-200-832-1 TECHNICAL SPECIFICATION
2. 18026-200-061-1 SCANTLING CALCULATIONS
3. 18026-200-101-1 PROFILES AND DECK ARRANGEMENTS
4. 18026-200-120-1 MIDSHIP SECTION
5. 18026-200-130-2 MAIN DECK
6. 18026-200-150-2 SUPERSTRUCTURE 01 DECK TO PILOT HOUSE TOP
7. 18026-200-150-3 MAIN DECK BULKWARCS
8. 18026-200-513-1 MACHINERY VENTILATION ARRANGEMENT
9. 18026-200-170-1 MASTS
10. 18026-200-526-1 DECK DRAIN PIPING SYSTEM
9. 18026-200-624-1 WINDOW SCHEDULE
10. 18026-200-624-3 DOOR SCHEDULE
11. 18026-200-624-3 HATCH SCHEDULE



**DECK PLAN 1-4A**  
 01 DECK

**KEY**

	BULKHEAD FAR SIDE
	BULKHEAD NEAR SIDE
	GIRDER FAR SIDE
	GIRDER NEAR SIDE
	ORDINARY STIFFENER FAR SIDE
	ORDINARY STIFFENER NEAR SIDE
	KNUCKLE

**Elliott Bay Design Group**  
 North Carolina, PLLC

CLIENT: NORTH CAROLINA D.O.T.  
 RALEIGH, NORTH CAROLINA

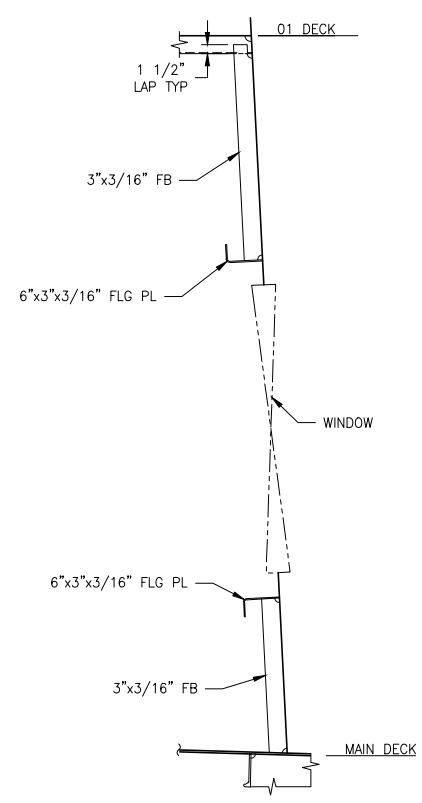
PROJECT: DOUBLE-ENDED AZIMUTH DRIVE FERRY



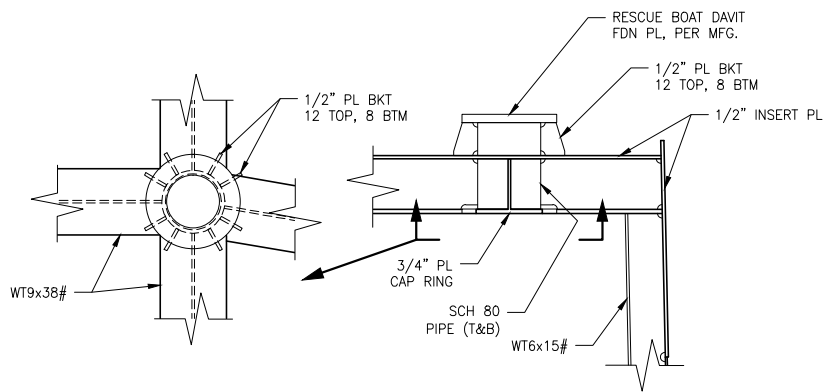
TITLE		SUPERSTRUCTURE MAIN DECK TO 01 DECK	
SIZE	DWG NO.	REV	
D	18026-200-150-1	A	
SCALE	FILE NAME	SHEET	OF
1/4"=1'-0"	18026-200-150-1A	1	4
DWN	MOD	CRD	APVD
SKW	SKW	JCG	SKW
			APVD DATE
			7/26/2018

8/3/2018 2:16:01 PM

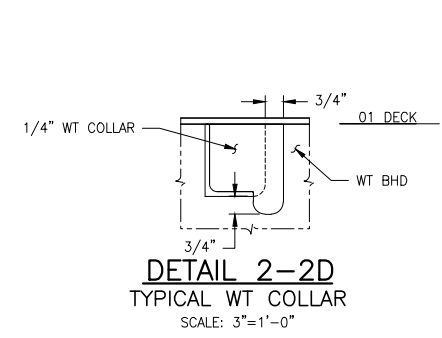
CONFIDENTIAL AND PROPRIETARY PROPERTY OF  
**EBDG - NC, PLLC**  
 MAY NOT BE USED FOR CONSTRUCTION OR PROVIDED TO  
 ANY THIRD PARTIES WITHOUT PRIOR WRITTEN CONSENT.  
 ©2018 ELLIOTT BAY DESIGN GROUP.



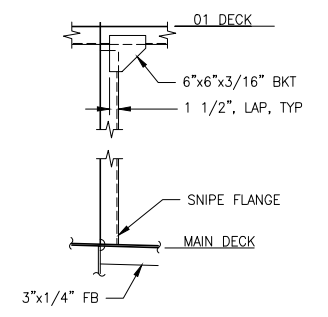
**DETAIL 2-6C**  
 TYP CURTAIN PLATE STIFFENERS  
 SCALE: 3/4"=1'-0"



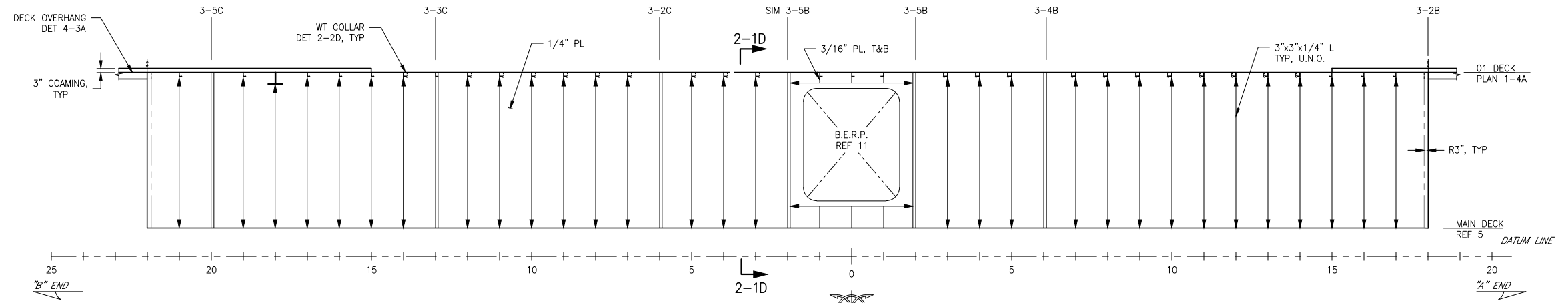
**DETAIL 2-4D**  
 RESCUE BOAT DAVIT FOUNDATION  
 SECT @ FR 18 & VIEW FROM BELOW  
 SEE NOTE 5  
 SCALE: 3/4"=1'-0"



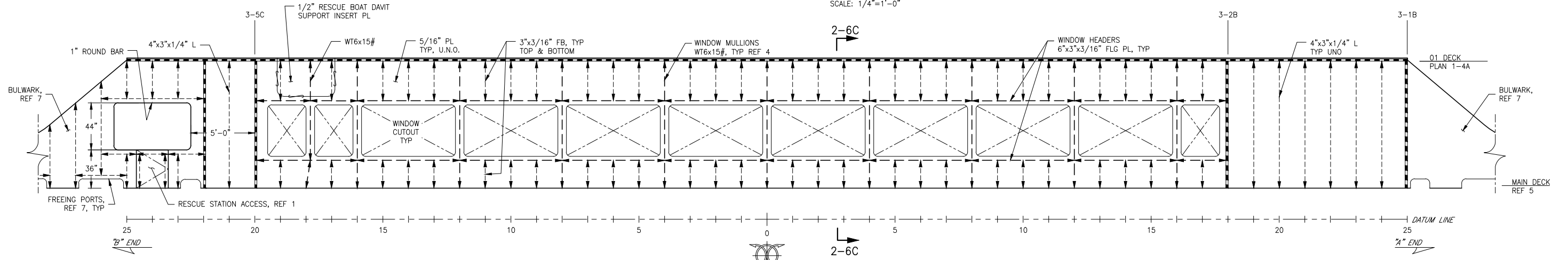
**DETAIL 2-2D**  
 TYPICAL WT COLLAR  
 SCALE: 3"=1'-0"



**DETAIL 2-1D**  
 TYP BKTS  
 SCALE: 3/4"=1'-0"



**ELEVATION 2-3B**  
 12'-0" OCL BHD  
 LOOKING TO CL  
 SCALE: 1/4"=1'-0"



**ELEVATION 2-3A**  
 22'-6" OCL  
 LOOKING TO CL  
 SCALE: 1/4"=1'-0"

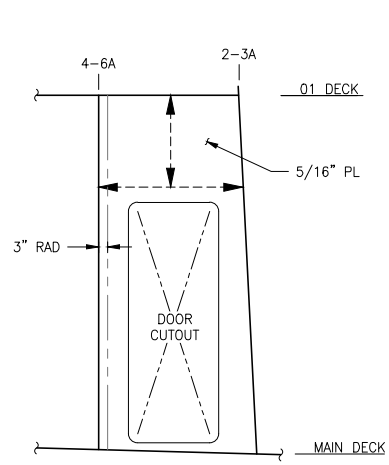
**KEY**

	BULKHEAD FAR SIDE
	BULKHEAD NEAR SIDE
	GIRDER FAR SIDE
	GIRDER NEAR SIDE
	ORDINARY STIFFENER FAR SIDE
	ORDINARY STIFFENER NEAR SIDE
	KNUCKLE

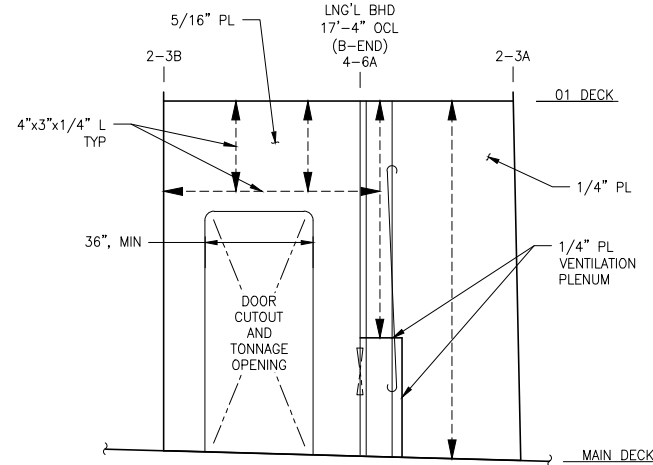


SIZE	D	DWG NO.	18026-200-150-1	REV	A
SCALE	AS NOTED	FILE NAME	18026-200-150-1A	SHEET	2 OF 4

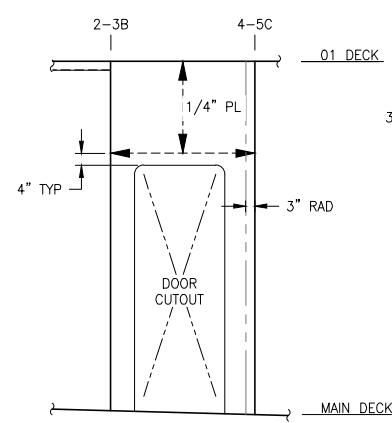
8/3/2018 2:18:05 PM



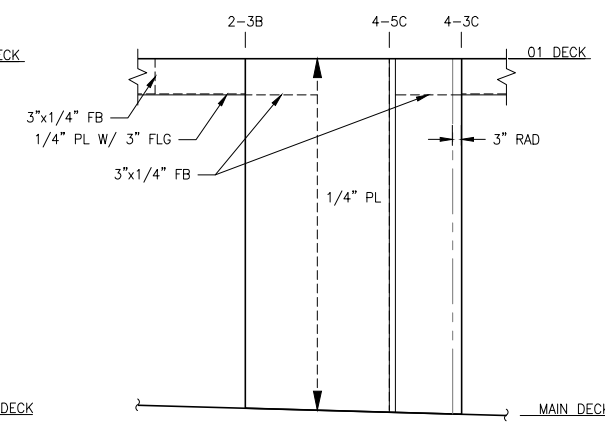
**SECTION 3-6C**  
 FR 22, B-END  
 LOOKING TO A-END  
 3/8"=1'-0"



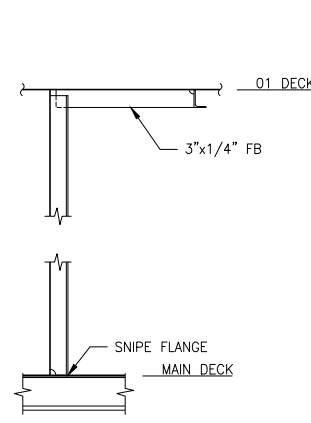
**SECTION 3-5C**  
 FR 20, B-END  
 LOOKING TO A-END  
 3/8"=1'-0"



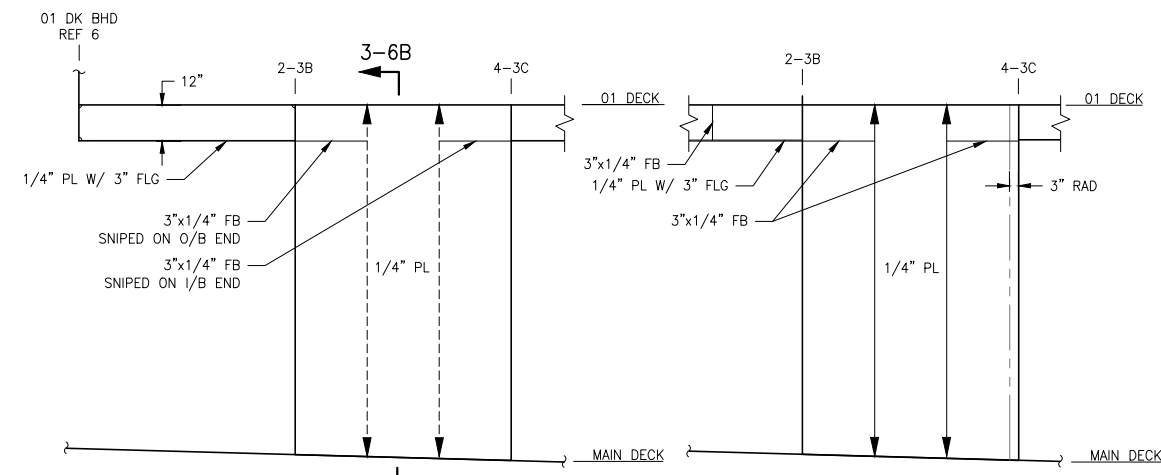
**SECTION 3-3C**  
 FR 13, B-END  
 LOOKING TO A-END  
 3/8"=1'-0"



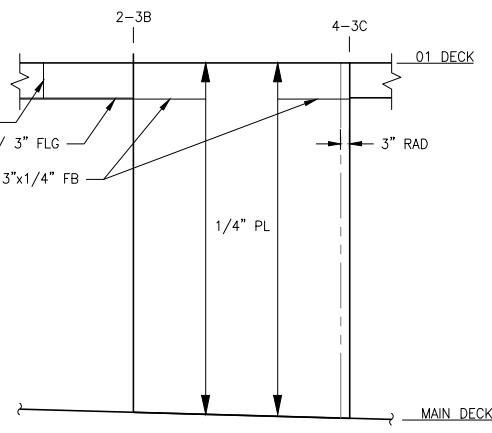
**SECTION 3-2C**  
 FR 06, B-END  
 LOOKING TO A-END  
 3/8"=1'-0"



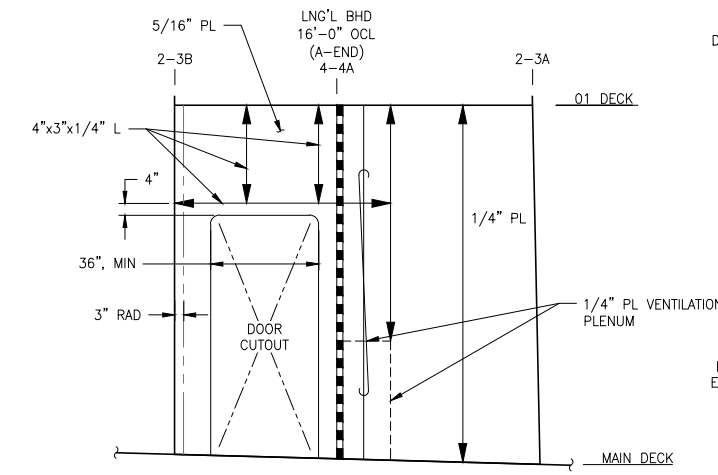
**DETAIL 3-6B**  
 TYPICAL TRANSVERSE BHD STIFFENER  
 SCALE: 3/4"=1'-0"



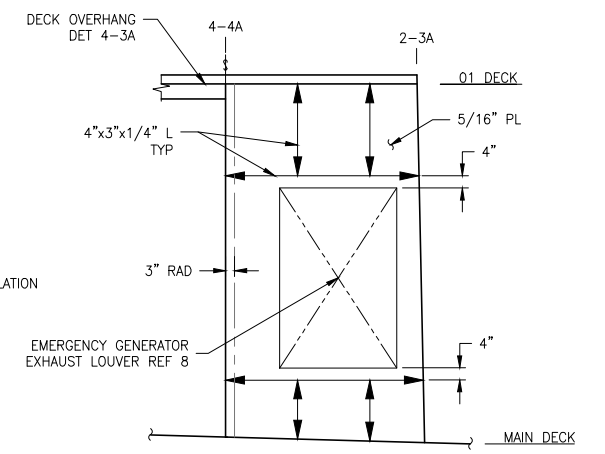
**SECTION 3-5B**  
 FR 02, A-END  
 LOOKING TO A-END  
 B-END SIM/OPP  
 3/8"=1'-0"



**SECTION 3-4B**  
 FR 06, A-END  
 LOOKING TO A-END  
 3/8"=1'-0"



**SECTION 3-2B**  
 FR 18, A-END  
 LOOKING TO A-END  
 3/8"=1'-0"



**SECTION 3-1B**  
 FR 25, A-END  
 LOOKING TO A-END  
 3/8"=1'-0"

**KEY**

	BULKHEAD FARSIDE
	BULKHEAD NEARSIDE
	GIRDER FARSIDE
	GIRDER NEARSIDE
	ORDINARY STIFFENER FARSIDE
	ORDINARY STIFFENER NEARSIDE
	KNUCKLE

NOTE:  
 BHD PLATE 1/4"  
 STIFFENERS 3"x3"x1/4" L UNO



SIZE	D	DWG NO.	18026-200-150-1	REV	A
SCALE	AS NOTED	FILE NAME	18026-200-150-1A	SHEET	3 OF 4

6

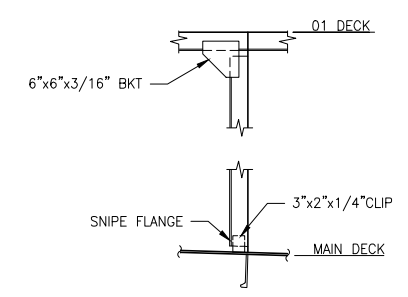
5

4

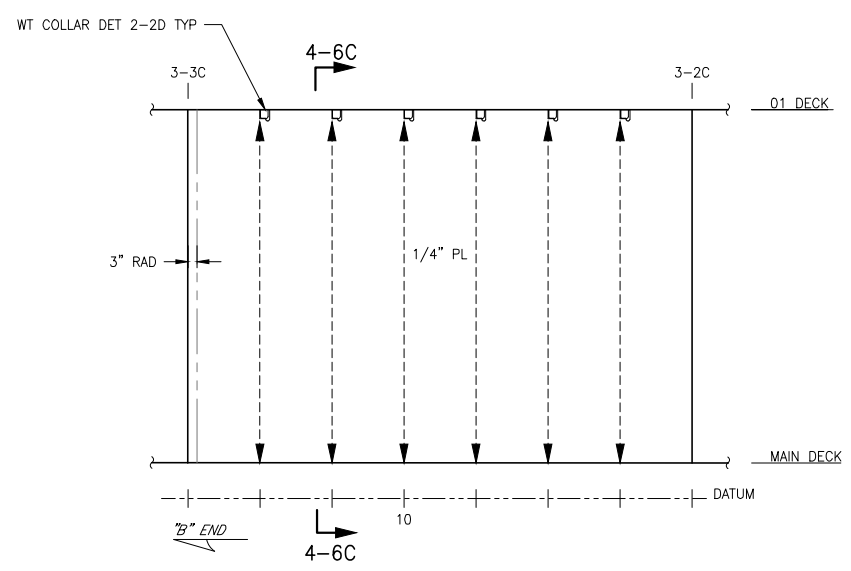
3

2

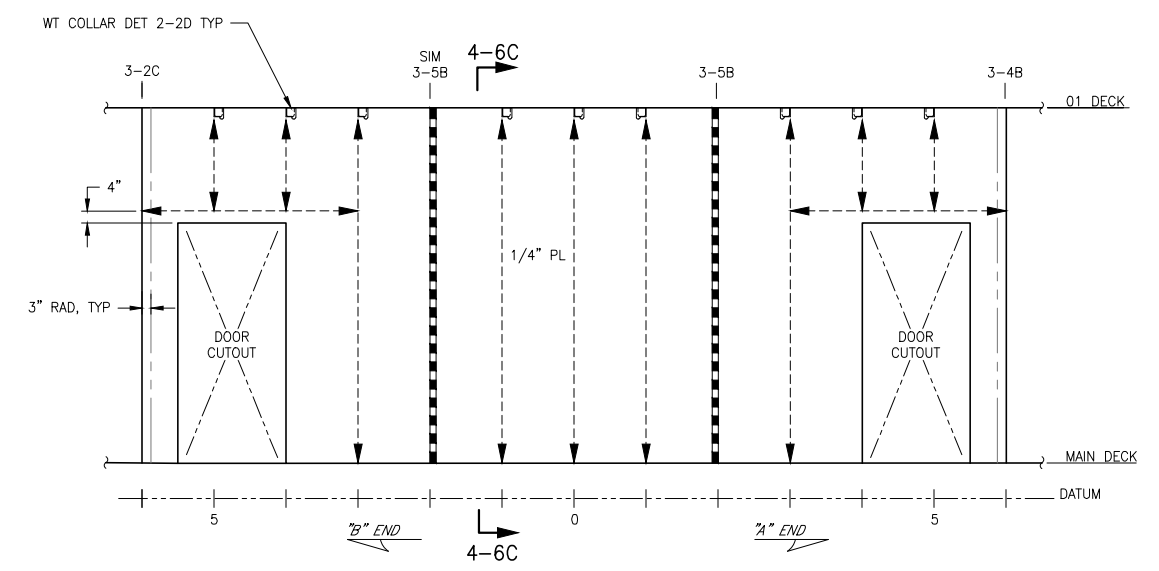
1



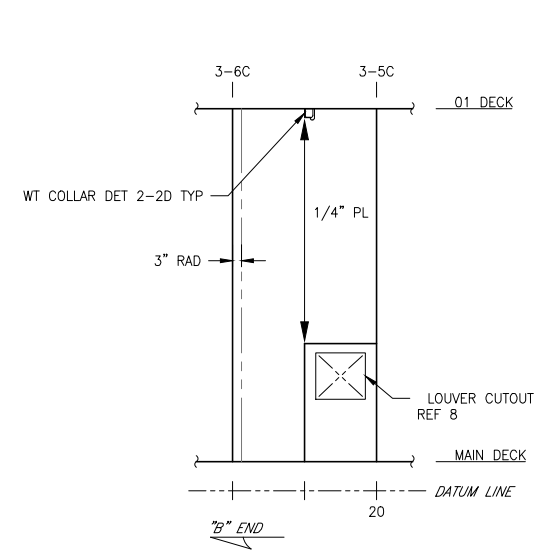
**DETAIL 4-6C**  
 TYP BKTS  
 SCALE: 3/4"=1'-0"



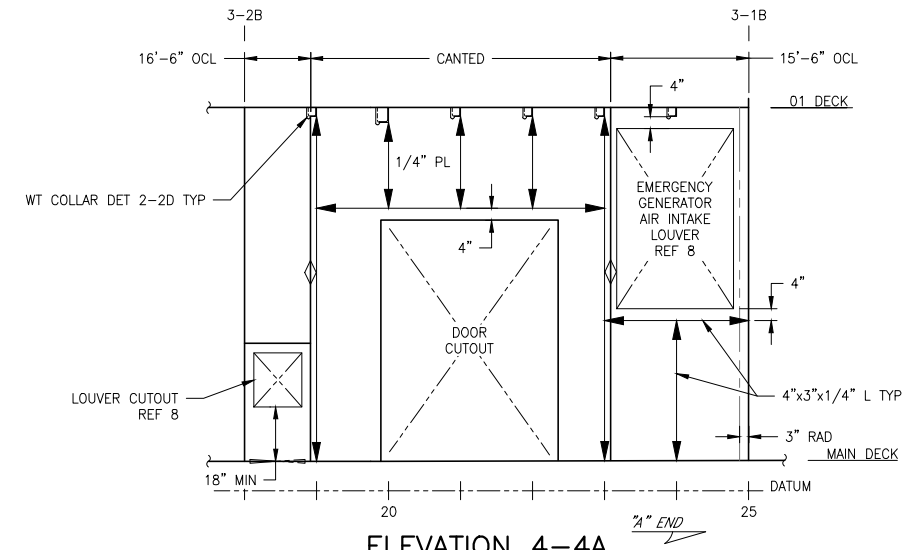
**ELEVATION 4-5C**  
 16'-0" OCL BHD  
 LOOKING TO CL  
 SCALE: 3/8"=1'-0"



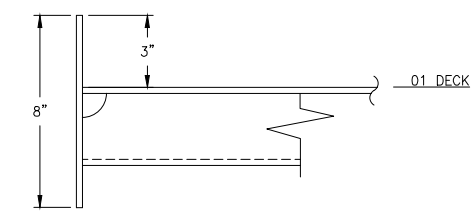
**ELEVATION 4-3C**  
 18'-0" OCL BHD  
 LOOKING TO CL  
 SCALE: 3/8"=1'-0"



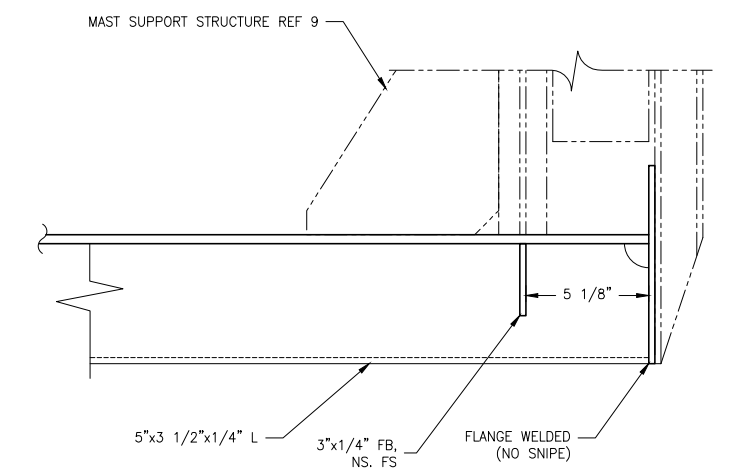
**ELEVATION 4-6A**  
 17'-4" OCL BHD  
 LOOKING TO CL  
 SCALE: 3/8"=1'-0"



**ELEVATION 4-4A**  
 16'-6" TO 15'-6" OCL BHD  
 LOOKING TO CL  
 SCALE: 3/8"=1'-0"



**DETAIL 4-3A**  
 DECK EDGE AT OVERHANGS  
 SCALE: 3"=1'-0"



**DETAIL 4-1A**  
 MAST SUPPORT STIFFENER  
 FRAME 23 A,B-END  
 SCALE: 3"=1'-0"

NOTE:  
 BHD PLATE 1/4"  
 STIFFENERS 3"x3"x1/4" L UNO

**KEY**

	BULKHEAD FAR SIDE
	BULKHEAD NEAR SIDE
	GIRDER FAR SIDE
	GIRDER NEAR SIDE
	ORDINARY STIFFENER FAR SIDE
	ORDINARY STIFFENER NEAR SIDE
	KNUCKLE



SIZE	D	DWG NO.	18026-200-150-1	REV	A
SCALE	AS NOTED	FILE NAME	18026-200-150-1A	SHEET	4 OF 4

6

5

4

3

2

1

8/3/2018 2:18:16 PM