

CONFIDENTIAL AND PROPRIETARY PROPERTY OF  
**EBDG - NC, PLLC**  
 MAY NOT BE USED FOR CONSTRUCTION OR PROVIDED TO  
 ANY THIRD PARTIES WITHOUT PRIOR WRITTEN CONSENT.  
 © 2018 ELLIOTT BAY DESIGN GROUP.

**REVISION HISTORY**

REV	ZONE	DESCRIPTION	DWN	DATE	APVD
A	ALL 3-5A 2-3D	1. REVISED BULWARK ENDS 2. REVISED FREE STANDING TANKS 3. MOVED LIGHT MAST OUTBOARD	JEH	08/03/18	KAJ

**GENERAL NOTES**

1. VESSEL TO BE CONSTRUCTED IN ACCORDANCE WITH 46 CFR SUBCHAPTER H REGULATIONS.
2. FRAME SPACING IS 24".

**VESSEL PARTICULARS**

LENGTH OVERALL:	183'-7"
LENGTH DESIGN LOAD WATERLINE:	178'-3/8"
BEAM, MOLDED:	46'-0"
BEAM OVER GUARDS:	46'-10"
DEPTH AT SIDE:	10'-6"
DRAFT AT DLWL:	4'-6"
FREEBOARD AT SIDE:	6'-0"
TOTAL PASSENGER CAPACITY:	300 MAX.
VEHICLE CAPACITY:	40 SV

**REFERENCES**

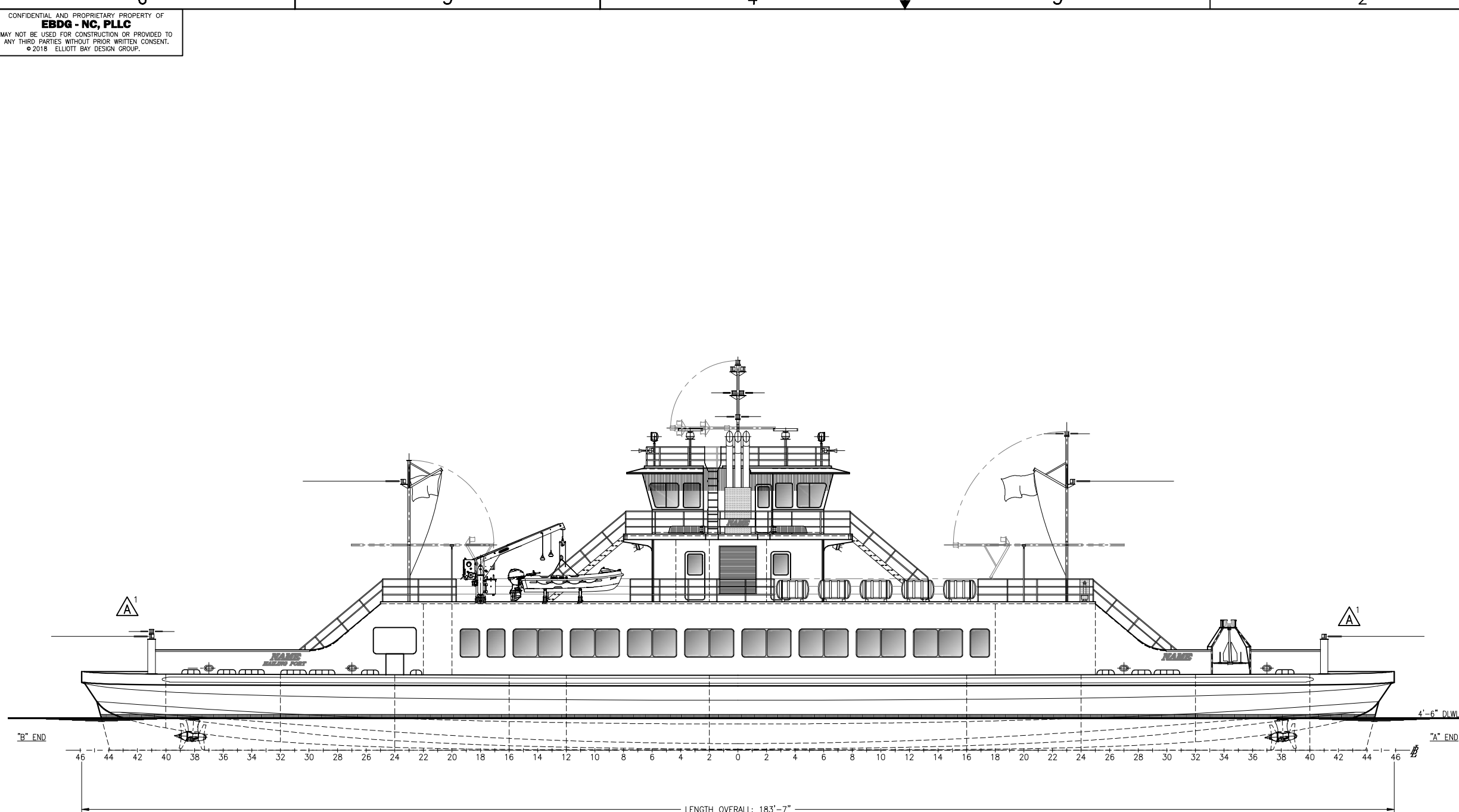
1. 18026-200-832-1 TECHNICAL SPECIFICATION
2. 18026-200-100-1 LINES PLAN
3. 18026-200-101-7 FIRE ZONE PLAN
4. 18026-200-120-1 MIDSHIP SECTION
5. 18026-200-201-1 MACHINERY ARRANGEMENT
6. 18026-200-624-1 WINDOW SCHEDULE
7. 18026-200-624-2 DOOR SCHEDULE
8. 18026-200-624-3 HATCH SCHEDULE



**Elliott Bay Design Group**  
 North Carolina, PLLC

CLIENT: NORTH CAROLINA D.O.T.  
 RALEIGH, NORTH CAROLINA

PROJECT: DOUBLE-ENDED AZIMUTH DRIVE FERRY

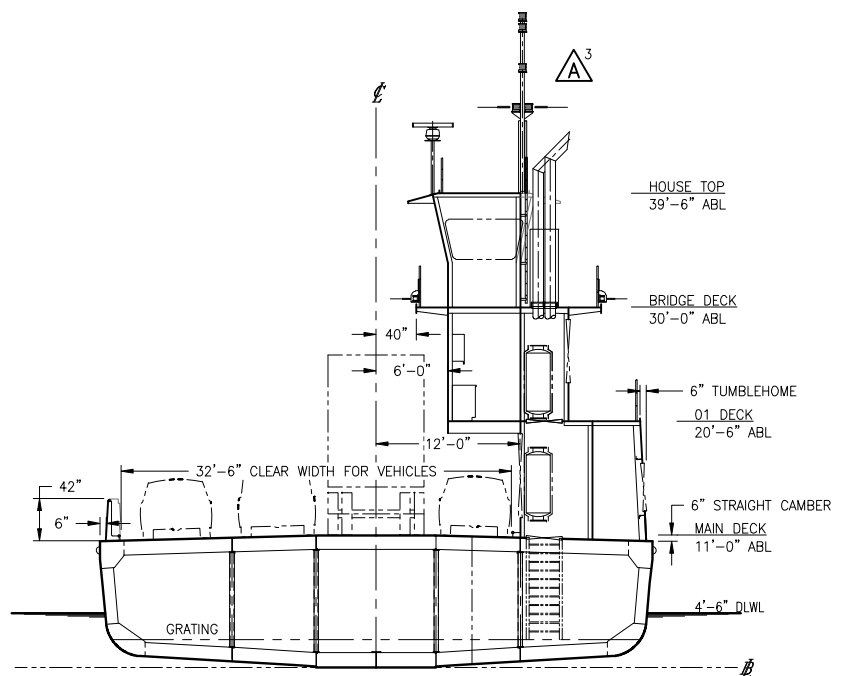


**OUTBOARD PROFILE**

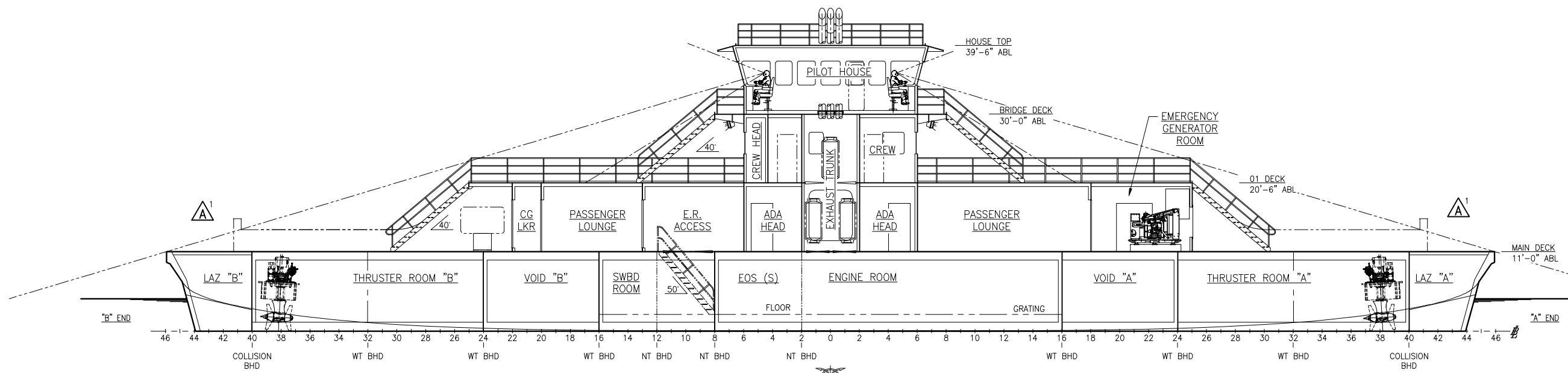
**PROFILES AND DECK ARRANGEMENTS**

SIZE	D	DWG NO.	18026-200-101-1	REV	A
SCALE	1/8" = 1'-0"	FILE NAME	18026-200-101-1-	SHEET	1 OF 4
DWN	JEH	MOD		APVD	KAJ
CD	JEH	APVD DATE	7/25/2018		

8/3/2018 3:11:43 PM



**MIDSHIP SECTION**

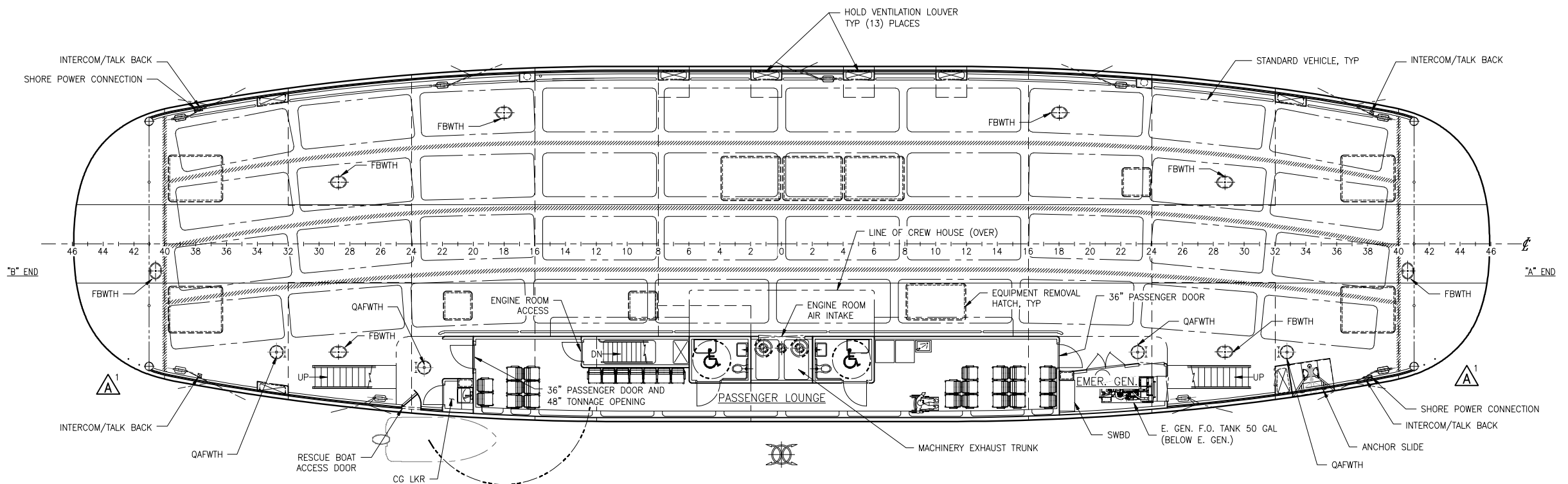


**INBOARD PROFILE**

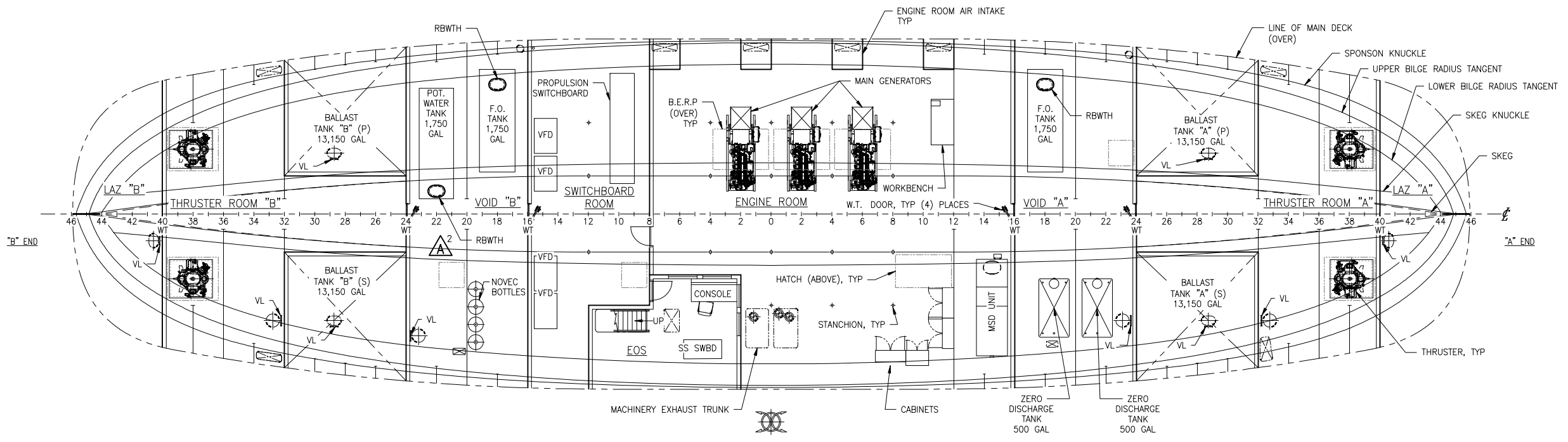


SIZE	D	DWG NO.	18026-200-101-1	REV	A
SCALE	1/8" = 1'-0"	FILE NAME	18026-200-101-1-	SHEET	2 OF 4

8/3/2018 3:11:51 PM



**MAIN DECK PLAN**



**HOLD PLAN**



SIZE	D	DWG NO.	18026-200-101-1	REV	A
SCALE	1/8" = 1'-0"		FILE NAME	18026-200-101-1-	SHEET 3 OF 4

8/3/2018 3:12:01 PM

CONFIDENTIAL AND PROPRIETARY PROPERTY OF  
**EBDG - NC, PLLC**  
 MAY NOT BE USED FOR CONSTRUCTION OR PROVIDED TO  
 ANY THIRD PARTIES WITHOUT PRIOR WRITTEN CONSENT.  
 © 2018 ELLIOTT BAY DESIGN GROUP.

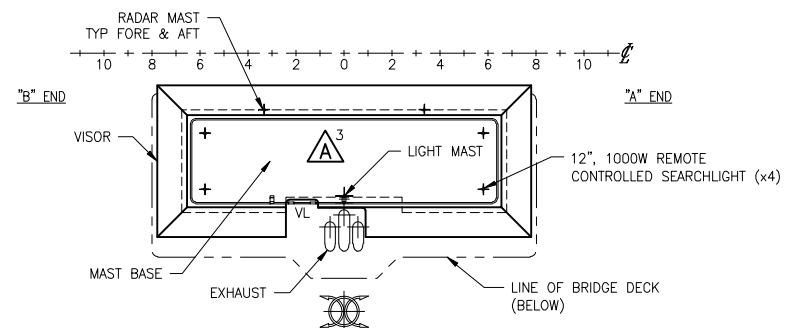
6 5 4 3 2 1

D

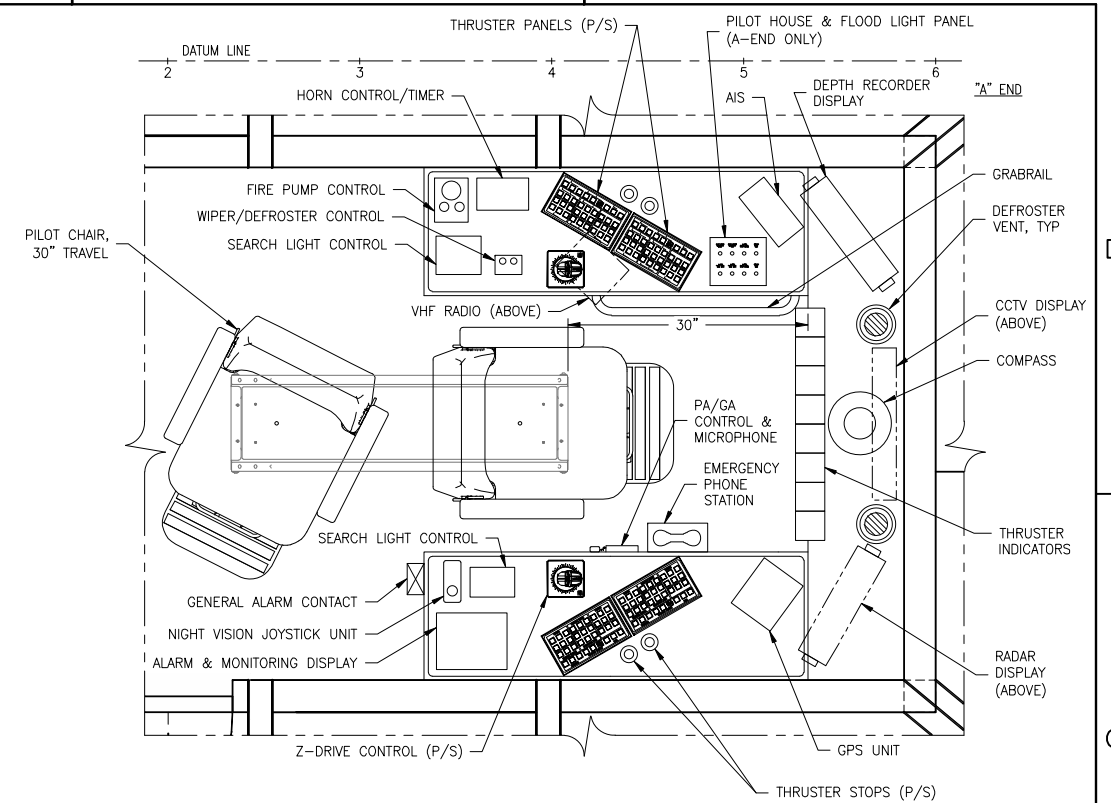
C

B

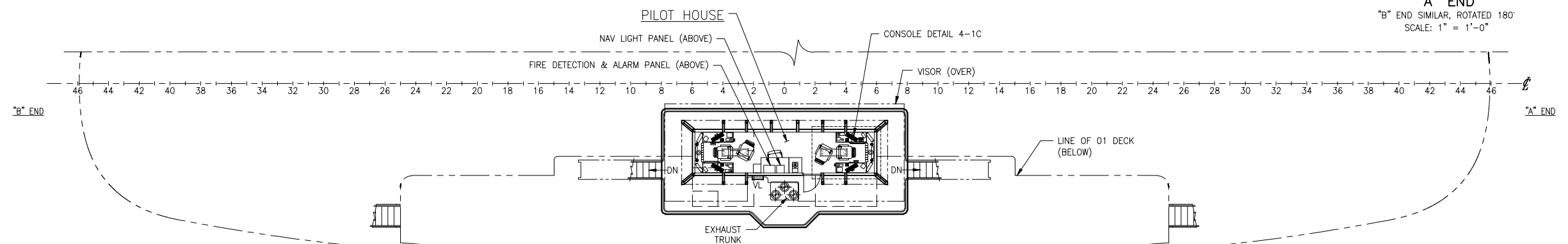
A



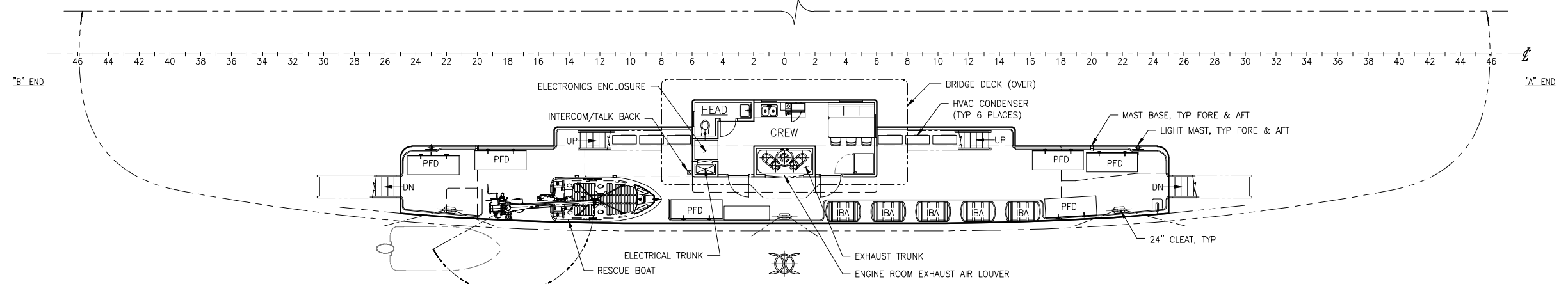
**HOUSE TOP PLAN**  
 1/8" = 1'-0"



**PILOT HOUSE CONSOLE DETAIL 4-1C**  
 "A" END  
 "B" END SIMILAR, ROTATED 180°  
 SCALE: 1" = 1'-0"



**BRIDGE DECK PLAN**  
 1/8" = 1'-0"



**01 DECK PLAN**  
 1/8" = 1'-0"



SIZE	D	DWG NO.	18026-200-101-1	REV	A
SCALE	AS NOTED	FILE NAME	18026-200-101-1-	SHEET	4 OF 4

6 5 4 3 2 1

8/3/2018 3:12:11 PM