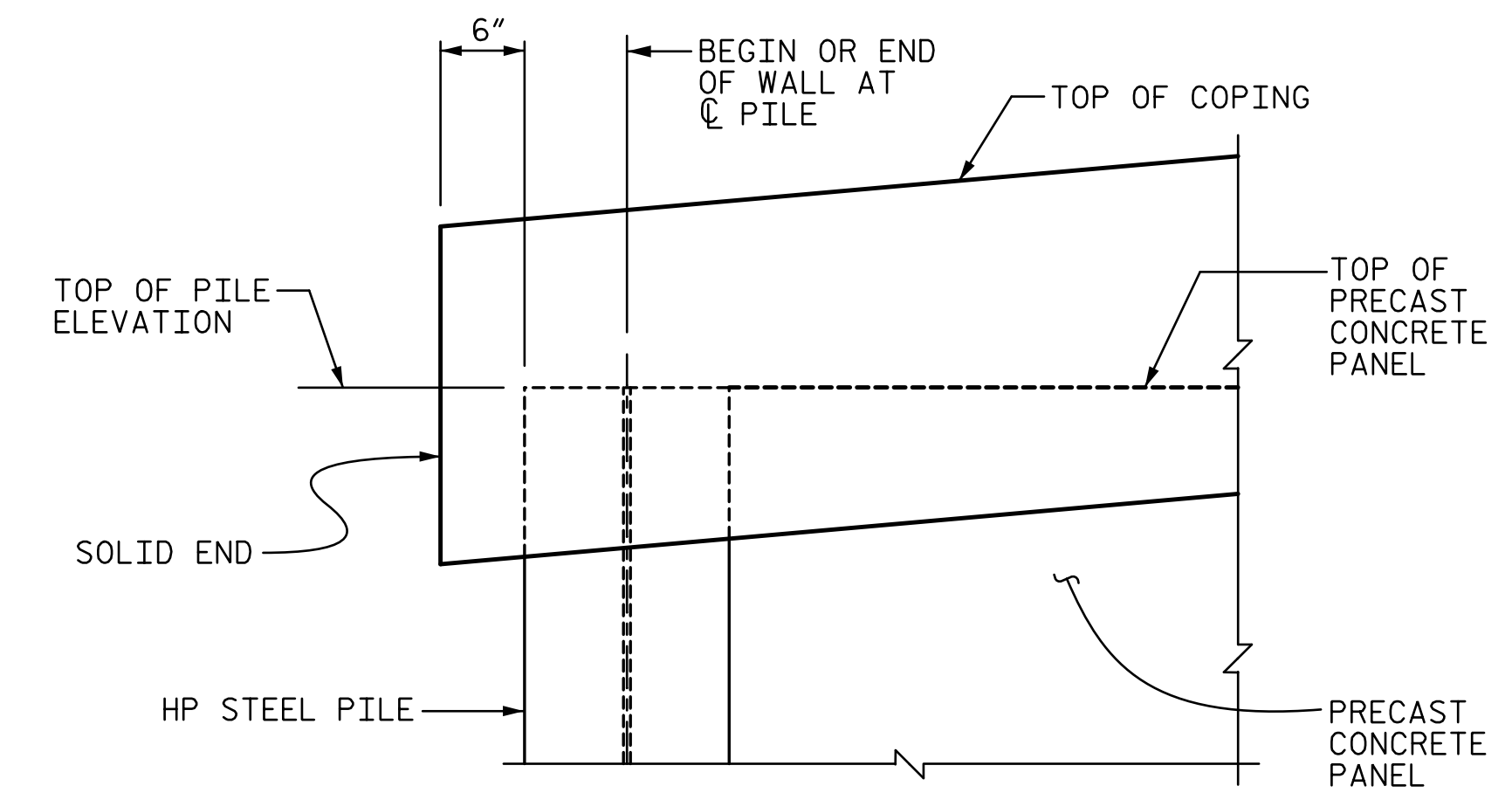
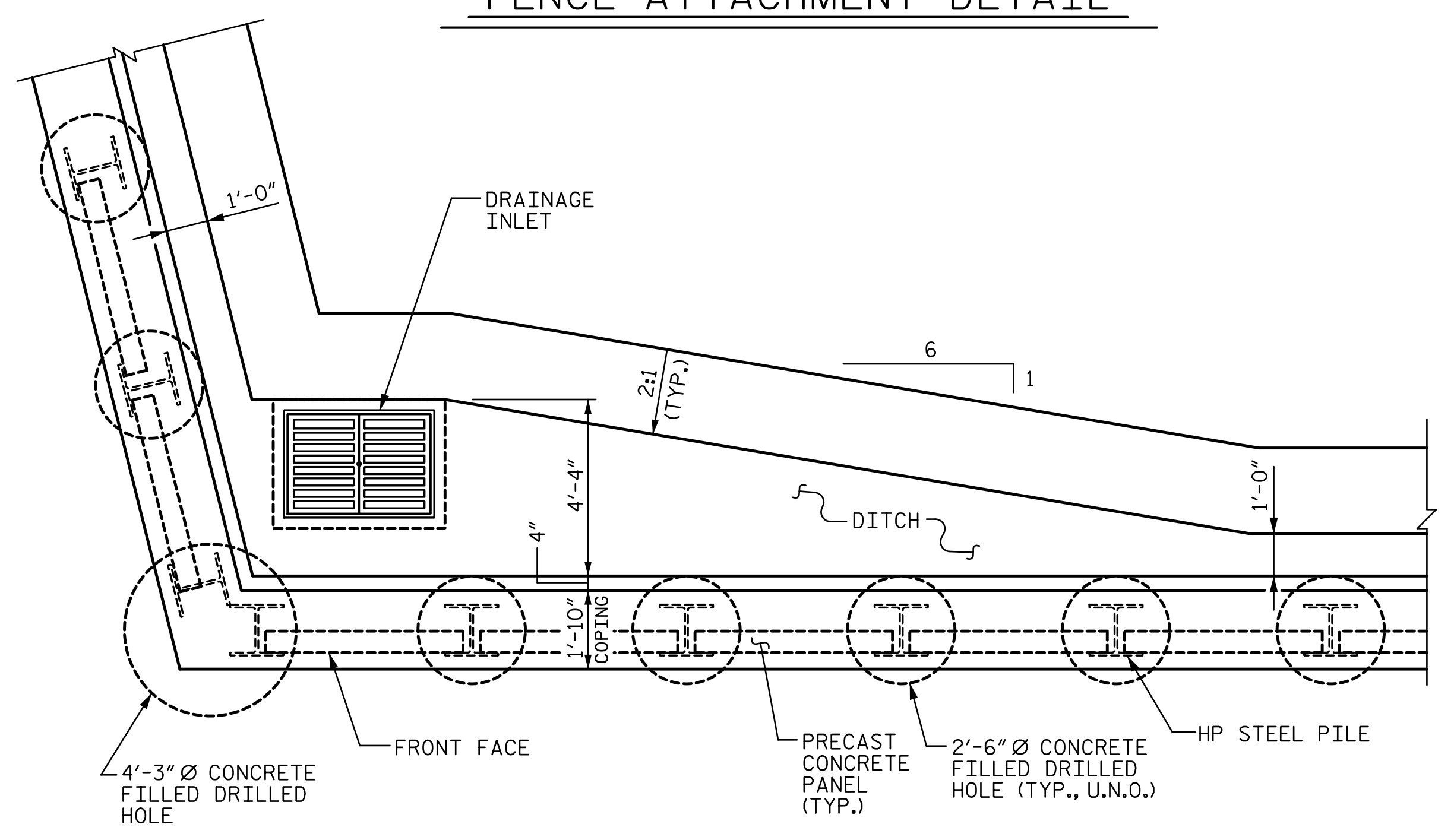


FENCE ATTACHMENT DETAIL



COPING END DETAIL

FENCE AND ATTACHMENT DETAILS NOT SHOWN FOR CLARITY



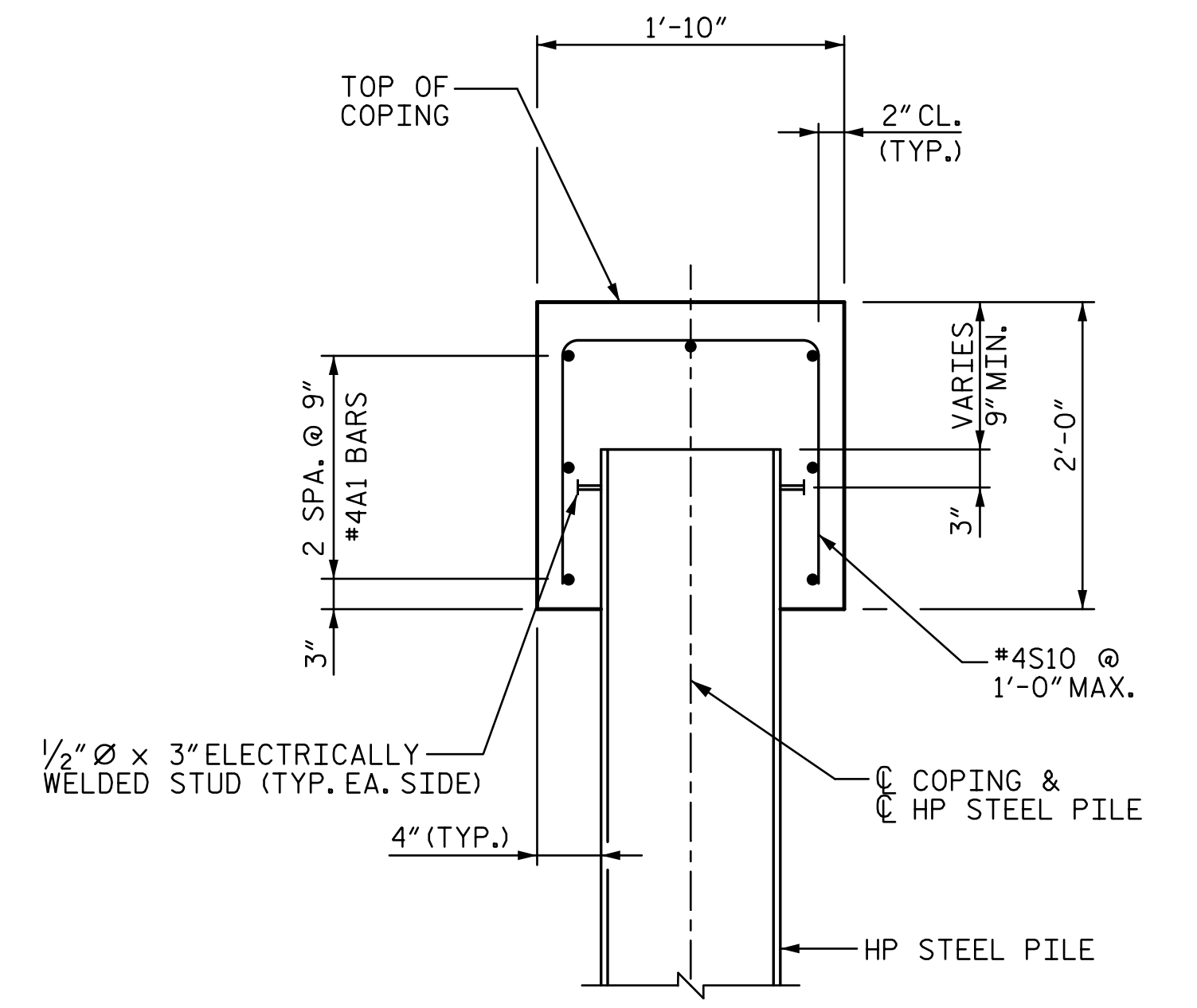
DRAINAGE DITCH DETAIL "A"

FENCE AND ATTACHMENTS NOT SHOWN FOR CLARITY. SEE ROADWAY PLAN SHEETS AND DRAINAGE SUMMARY SHEETS FOR DRAINAGE INLET LOCATION AND INFORMATION.

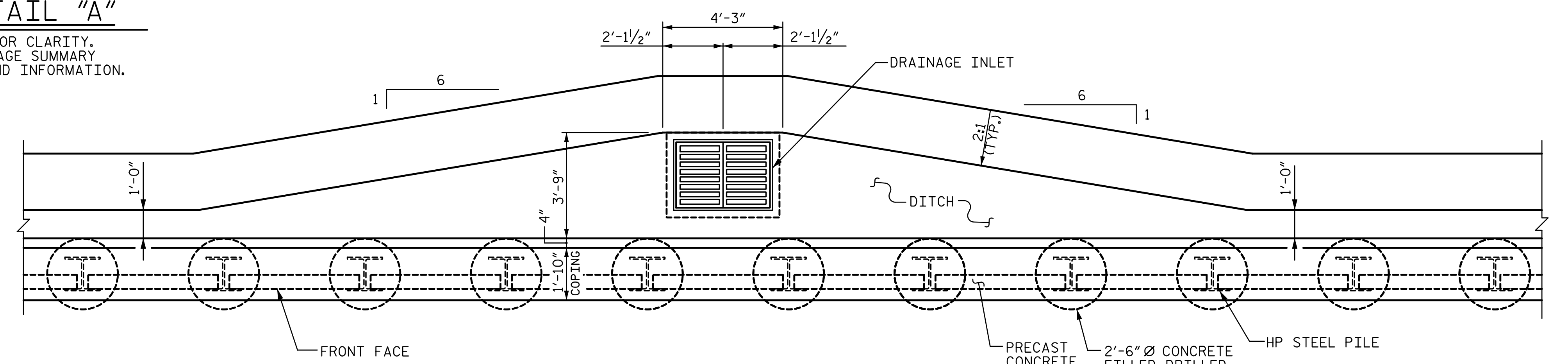
COPING BAR TYPES			
BAR	SIZE	TYPE	LENGTH
A1	#4	STR.	*
S10	#4	1	4'-10"

BAR TYPE	
1'-6"	1'-8"
①	

* CONTRACTOR TO DETERMINE LENGTH BASED ON PLACEMENT OF EXP. JTS.



COPING DETAIL



DRAINAGE DITCH DETAIL "B"

FENCE AND ATTACHMENTS NOT SHOWN FOR CLARITY. SEE ROADWAY PLAN SHEETS AND DRAINAGE SUMMARY SHEETS FOR DRAINAGE INLET LOCATION AND INFORMATION.