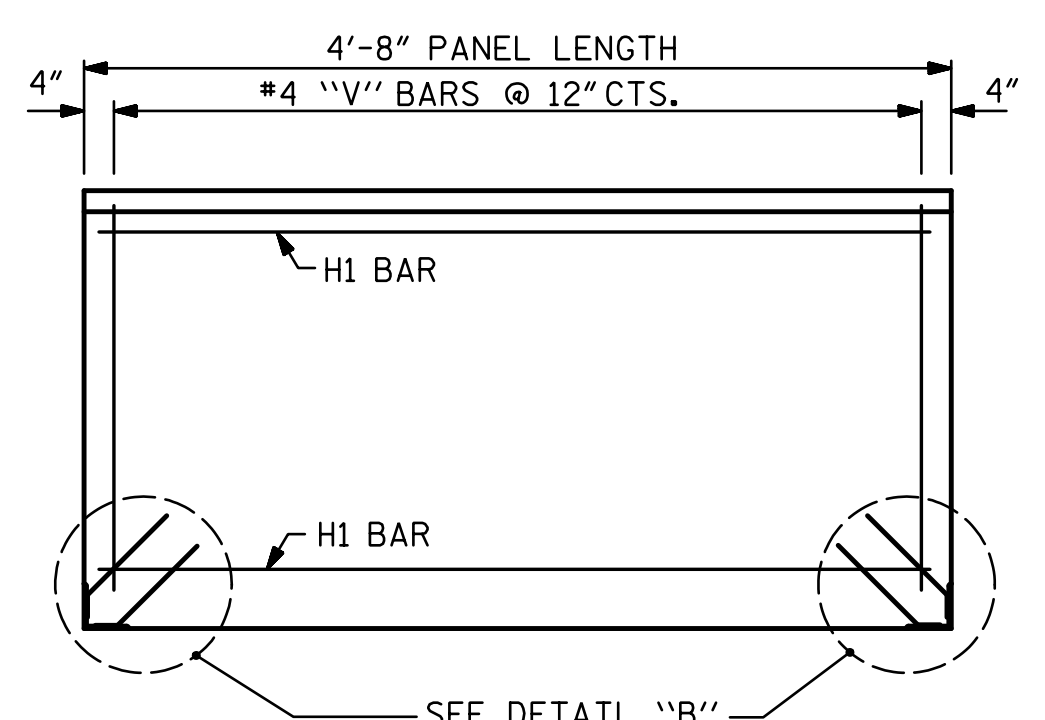
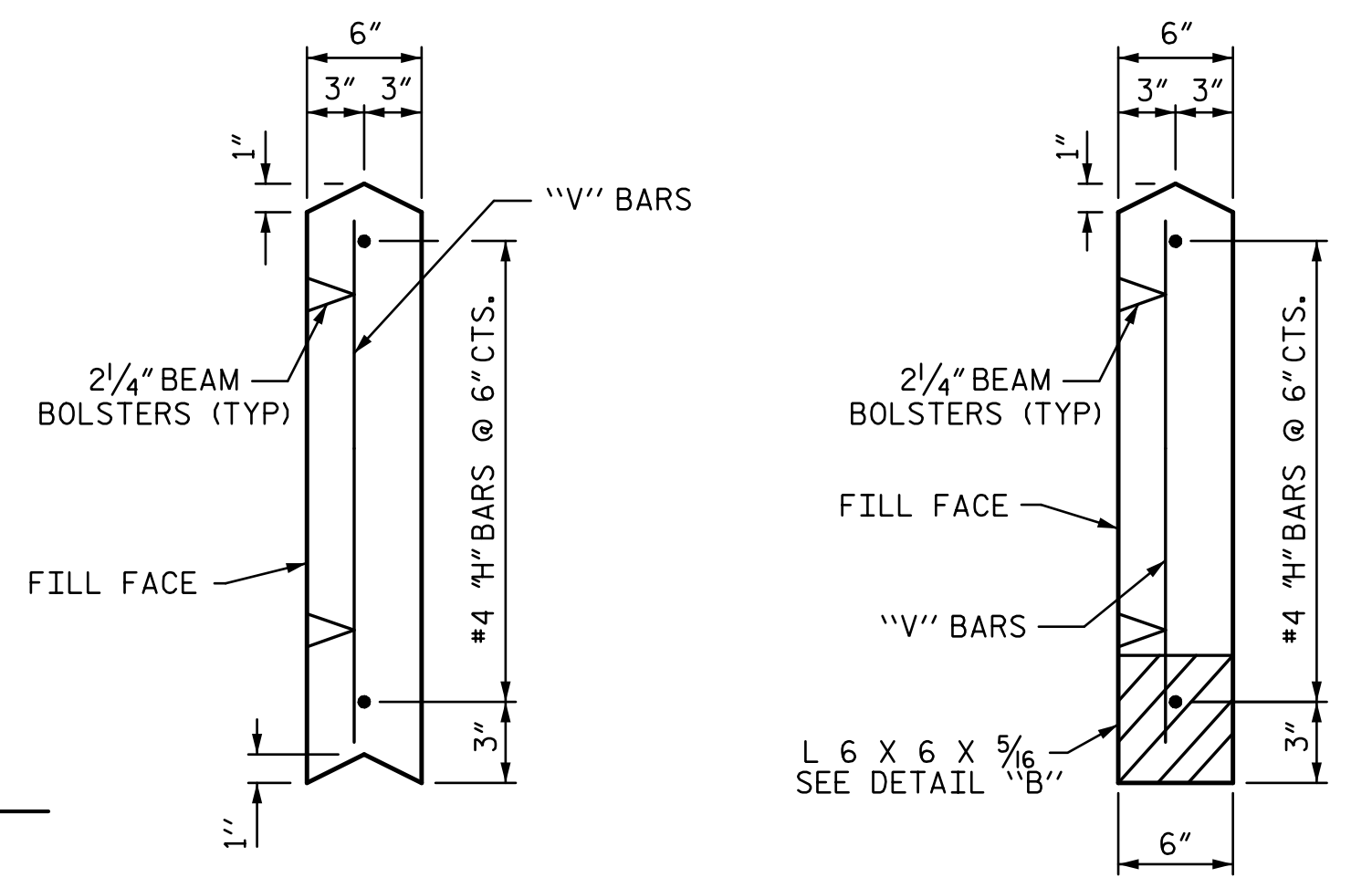


**FRONT ELEVATION
OF UPPER PRECAST PANELS**

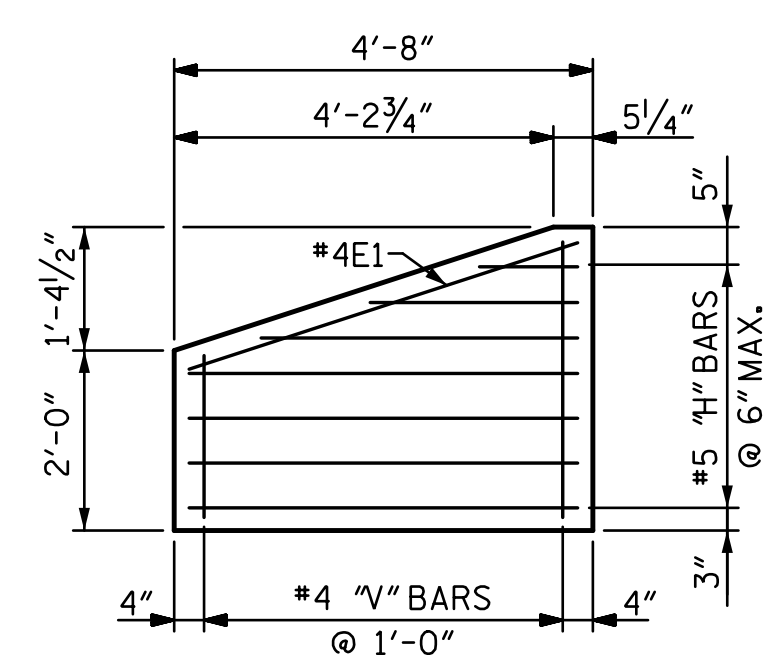


**FRONT ELEVATION
OF BOTTOM PRECAST PANEL**



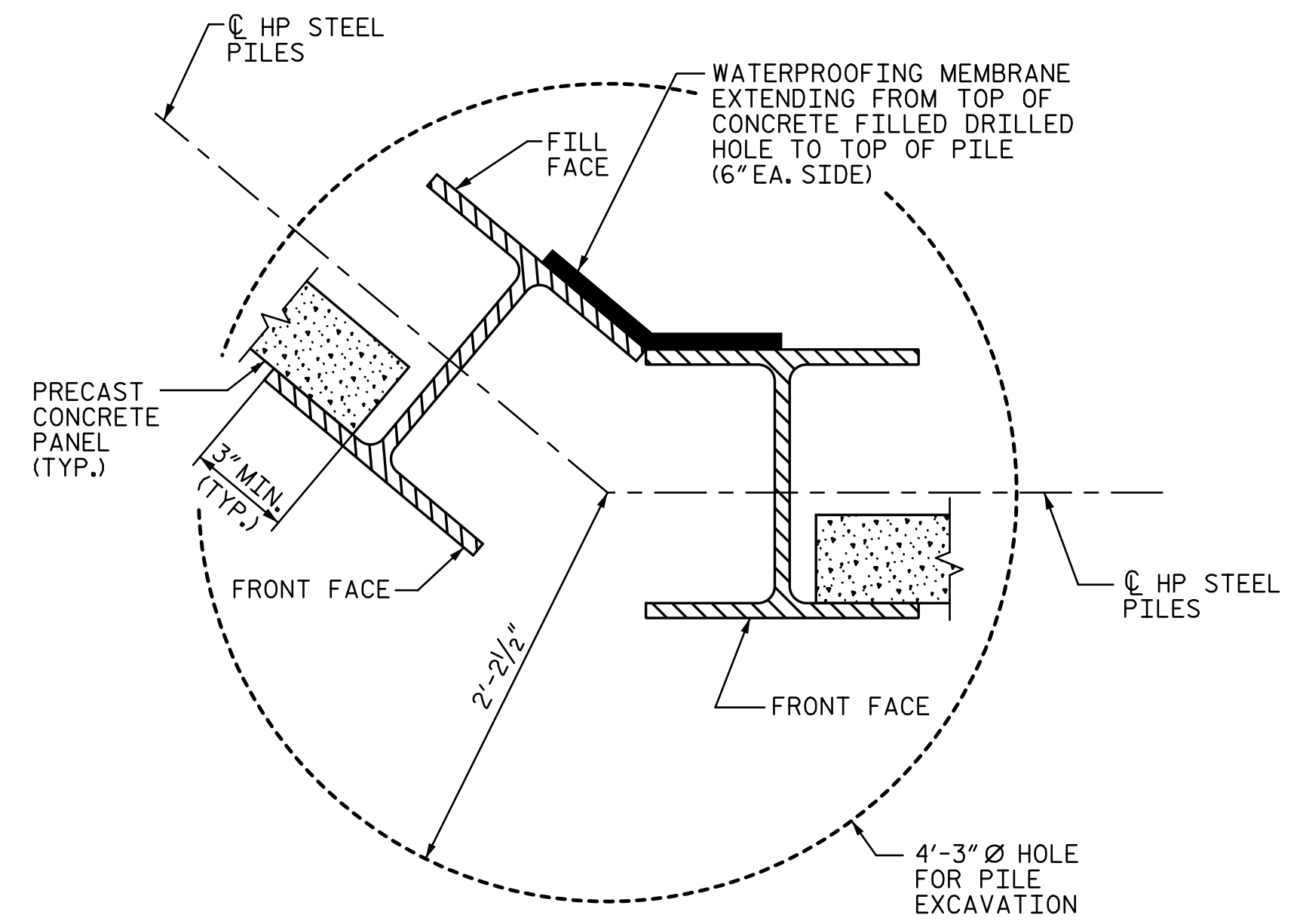
**SECTION THROUGH PRECAST PANELS
FOR LEVEL AND SLOPED PANELS**

PANEL HEIGHT	CLASS AA CONCRETE C.Y.	QUANTITIES FOR ONE PRECAST PANEL											
		BAR TYPES											
		HORIZONTAL					VERTICAL						
		NO.	BAR SIZE	TYPE	LENGTH	WEIGHT (lb)	NO.	BAR SIZE	TYPE	LENGTH	WEIGHT (lb)		
2'-6"	0.22	5	H1 #4	STR	4'-4"	15	5	V1 #4	STR	2'-2"	7		
3'-0"	0.26	6	H1 #4	STR	4'-4"	17	5	V2 #4	STR	2'-8"	9		
4'-0"	0.35	8	H1 #4	STR	4'-4"	23	5	V3 #4	STR	3'-8"	12		
4'-6"	0.39	9	H1 #4	STR	4'-4"	26	5	V4 #4	STR	4'-2"	14		
5'-0"	0.43	10	H1 #4	STR	4'-4"	29	5	V5 #4	STR	4'-8"	16		

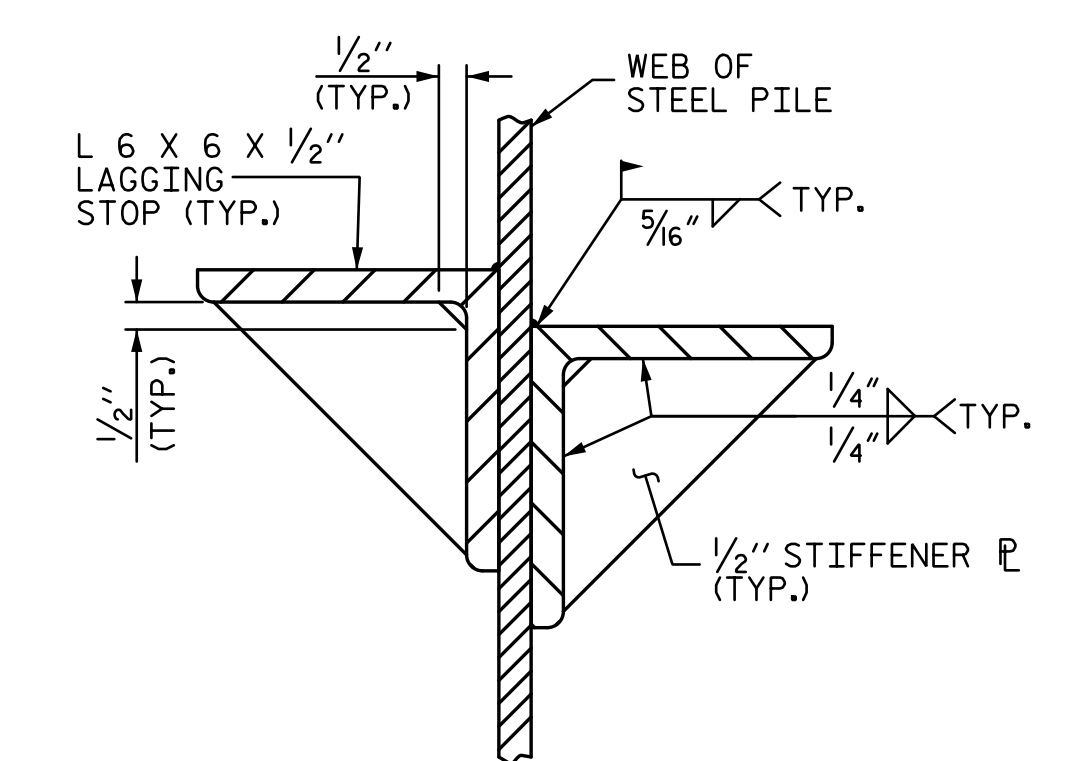


**FRONT ELEVATION
OF UPPER PRECAST SLOPED PANELS**

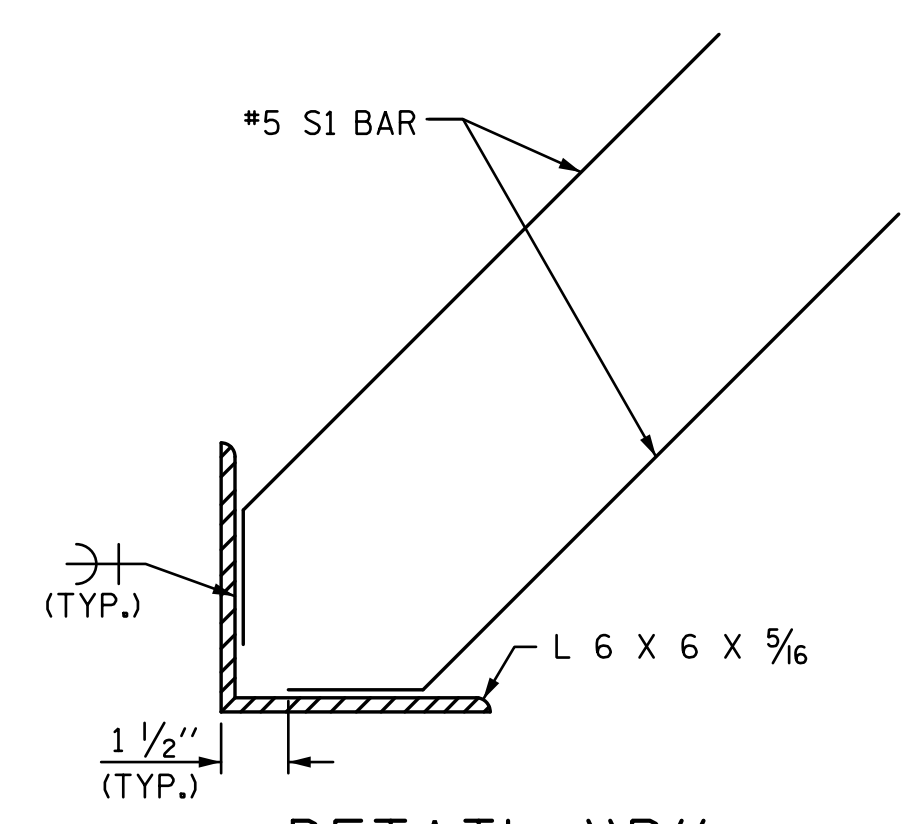
CLASS AA CONCRETE C.Y.	QUANTITIES FOR ONE SLOPED PRECAST PANEL											
	BAR TYPES											
	HORIZONTAL					VERTICAL						
	NO.	BAR SIZE	TYPE	LENGTH	WEIGHT (lb)	NO.	BAR SIZE	TYPE	LENGTH	WEIGHT (lb)		
0.24	4	H1 #4	STR	4'-4"	12	1	V1 #4	STR	1'-9"	1		
	1	H2 #4	STR	3'-4"	2	1	V2 #4	STR	2'-0"	1		
	1	H3 #4	STR	2'-3"	1	1	V3 #4	STR	2'-4"	2		
	1	H4 #4	STR	1'-0"	2	1	V4 #4	STR	2'-8"	2		
	1	E1 #4	STR	4'-6"	3	1	V5 #4	STR	3'-0"	2		



**TYPICAL WALL TURN DETAIL
(FOR GREATER THAN 15° TURNS)**



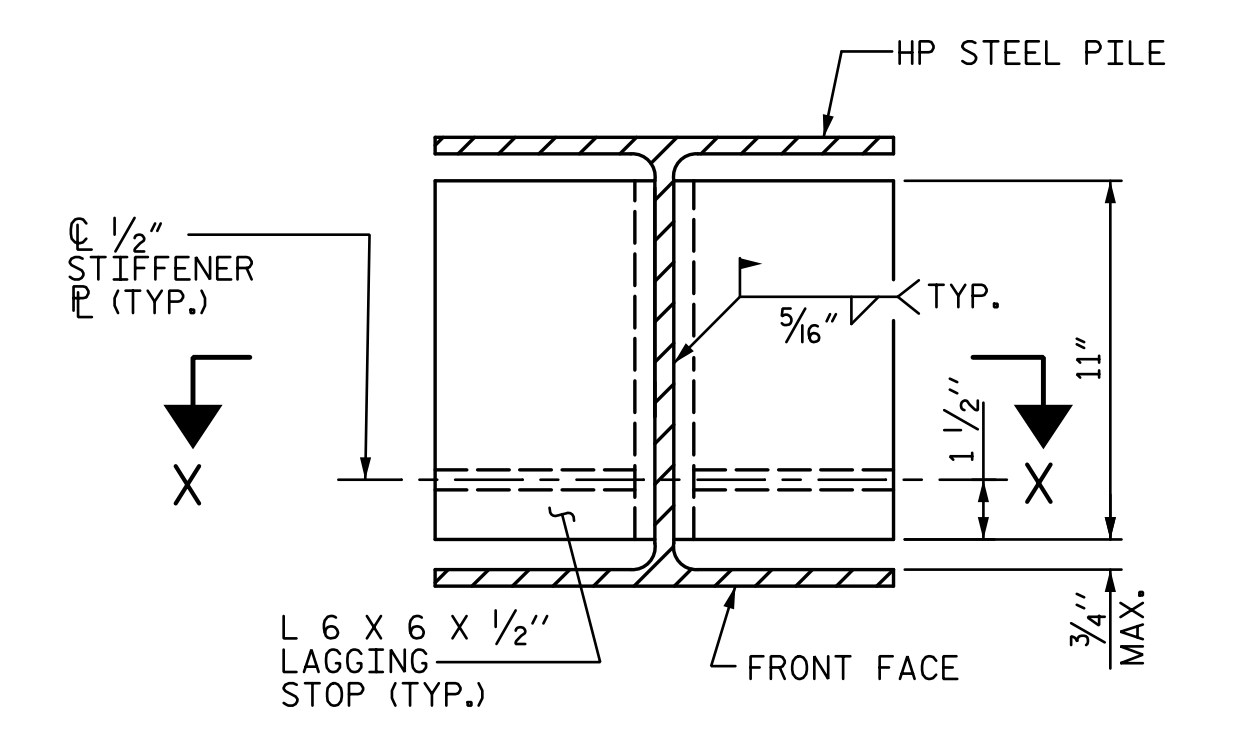
SECTION X-X



DETAIL "B"

ADDITIONAL BARS FOR ONE BOTTOM PANEL				
NO.	BAR SIZE	TYPE	LENGTH	WEIGHT (lb)
4	S1 #5	1	1'-6"	6

BAR TYPE



SECTION B-B