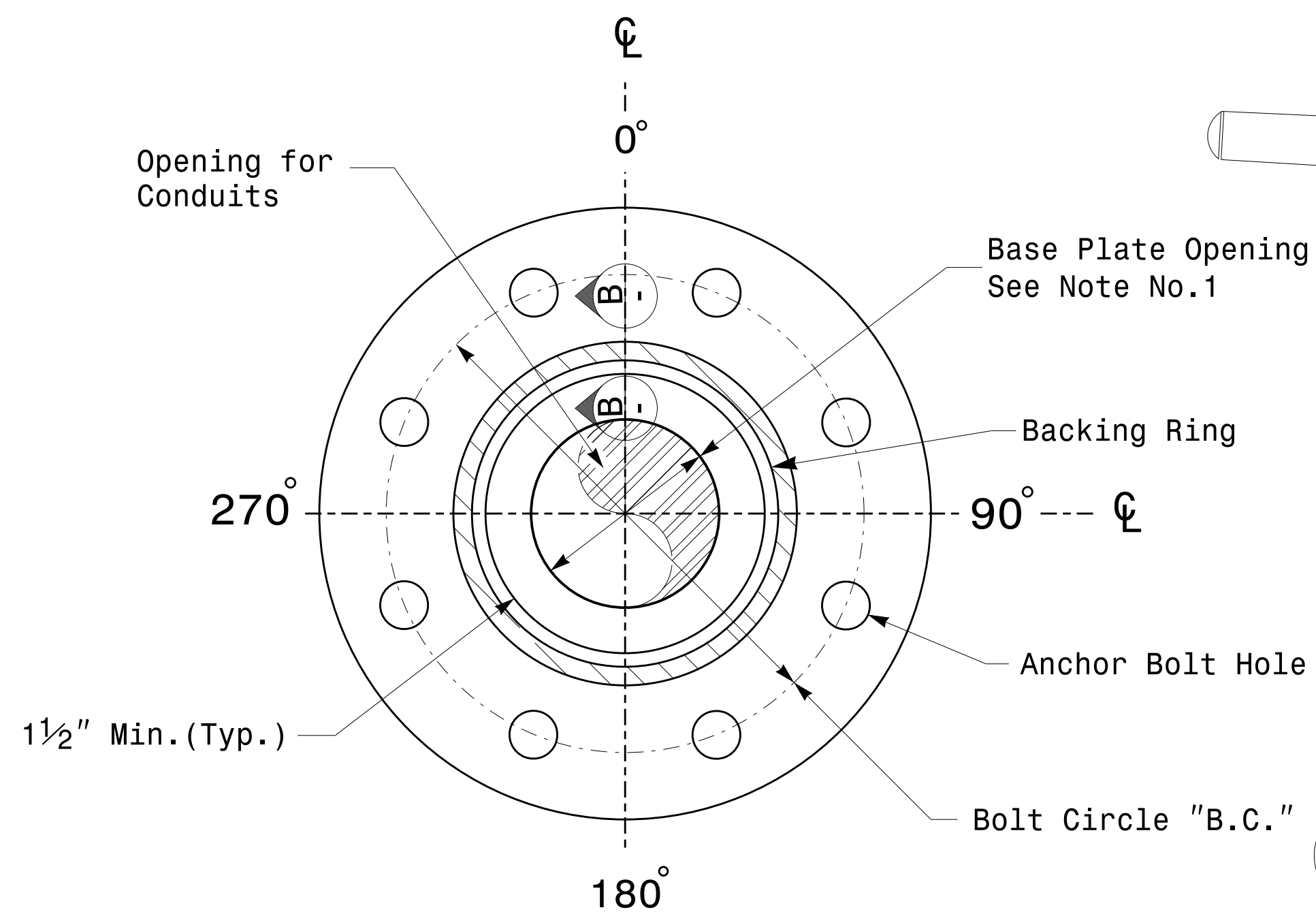
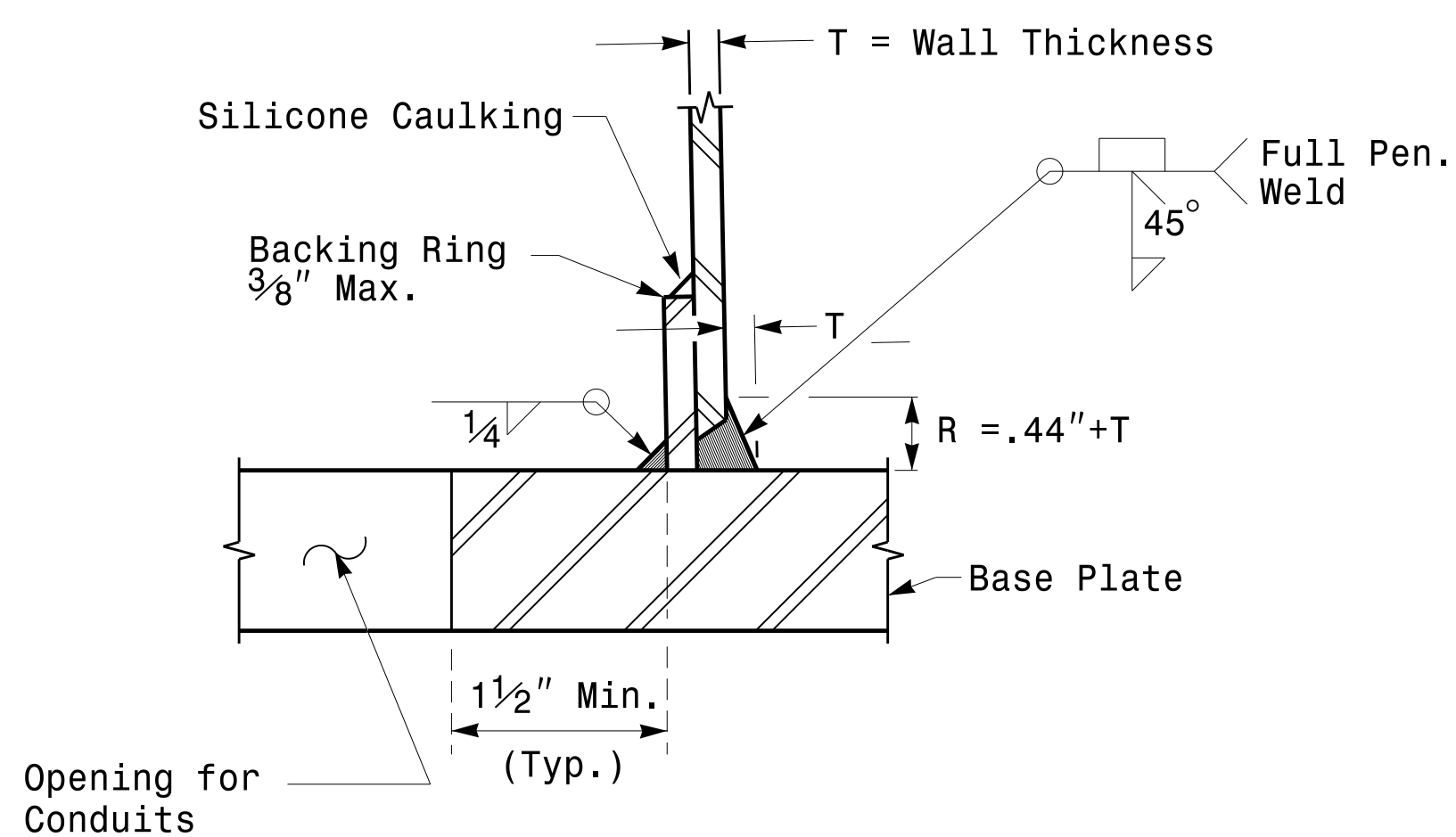


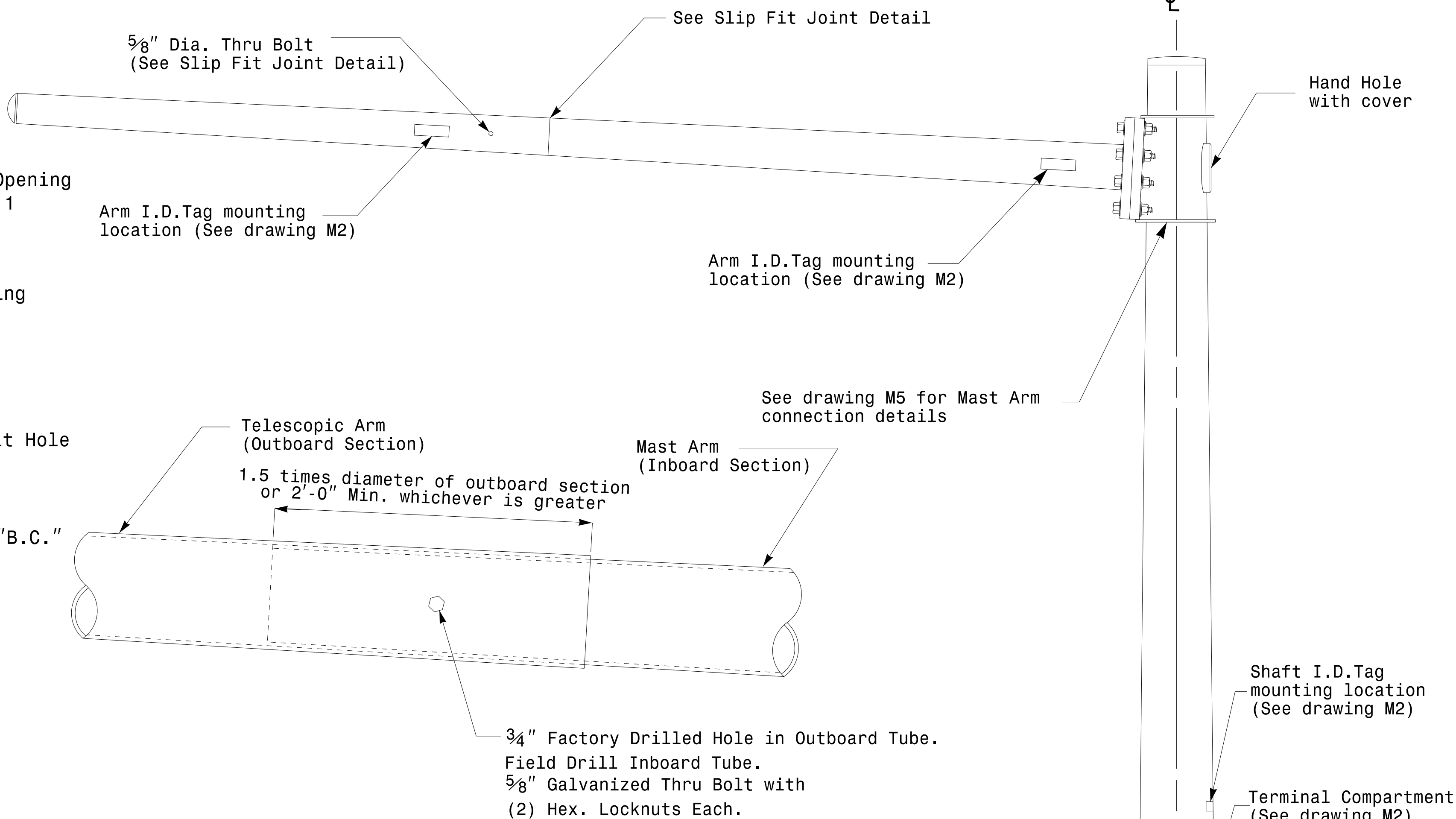
Note:  
 1. Opening in pole base plate shall be equal to pole base inside diameter minus 3 1/2" but shall not be less than 8 1/2".



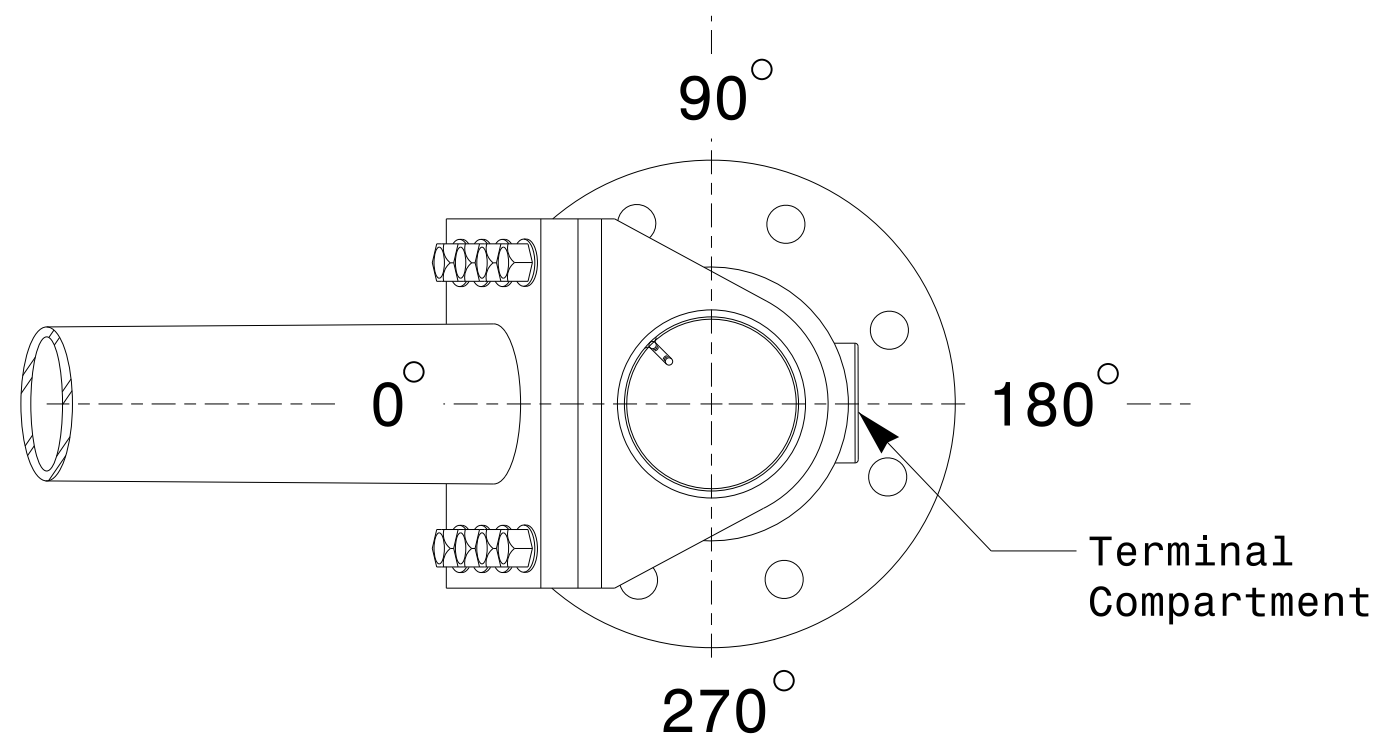
Section A-A  
 Pole Base Plate Details



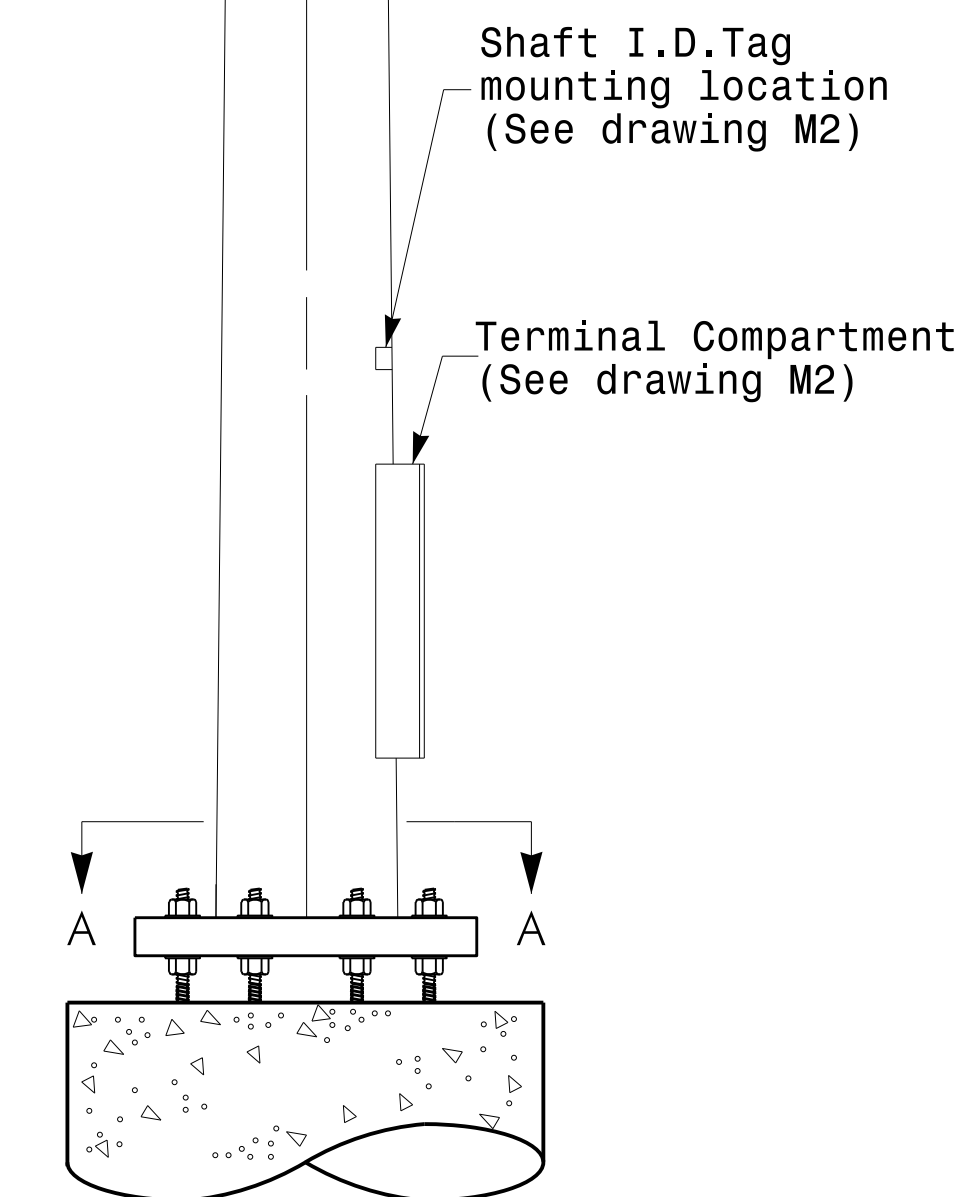
Section B-B  
 (Pole Attachment to Base Plate)  
 Full-Penetration Groove Weld Detail



Slip Fit Joint Detail for Mast Arm



Mast Arm Radial Orientation



Mast Arm Pole

<p>Prepared in the Offices of:                  750 N. Greenfield Pkwy, Garner, NC 27529</p>	Typical Fabrication Details For Mast Arm Poles		SEAL 
	PLAN DATE: OCTOBER 2017 PREPARED BY: N. BITTING	DESIGNED BY: K.C. DURIGON REVIEWED BY: D.C. SARKAR	
SCALE 0 NA NONE	DocuSigned by: Dinesh C. Sarkar (Signature)		10/11/2017 DATE

Fabrication Details – Mast Arm Poles

11-OCT-2017 08:33 136504115 Signal&Signal Design Section Eastern Region\m4 Sheets\2016\2014 Sig.M4 Std. Fabrication Detail-Mast Arm Poles.dgn