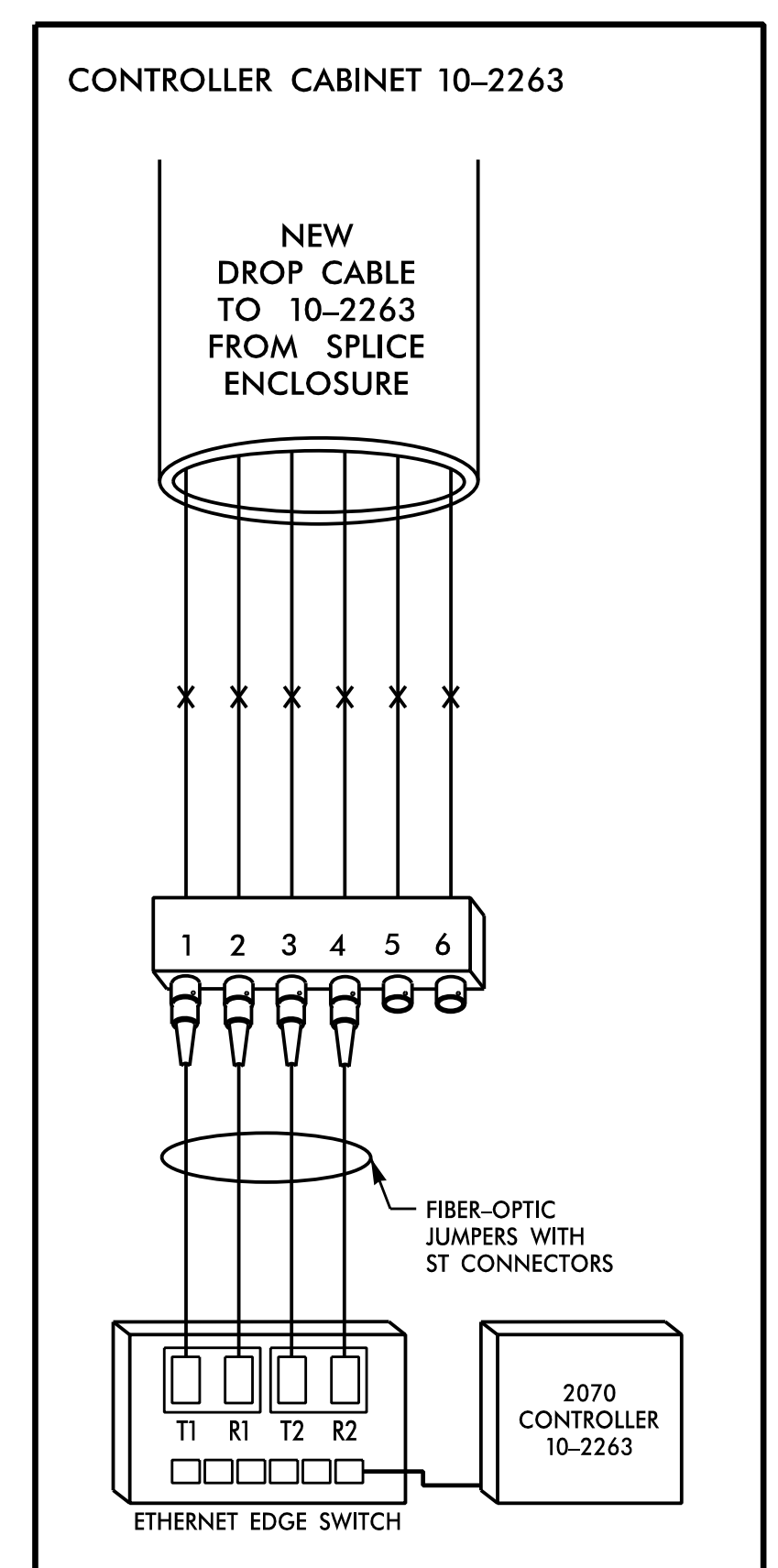
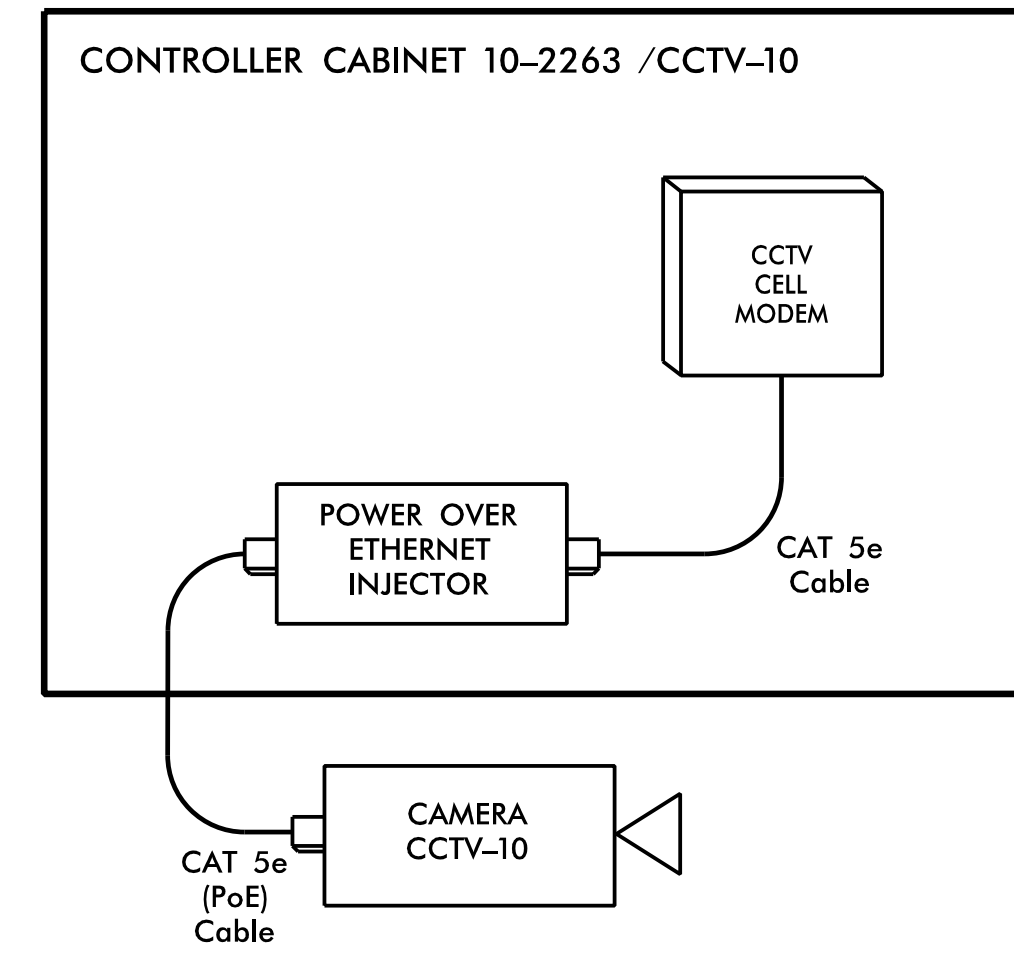
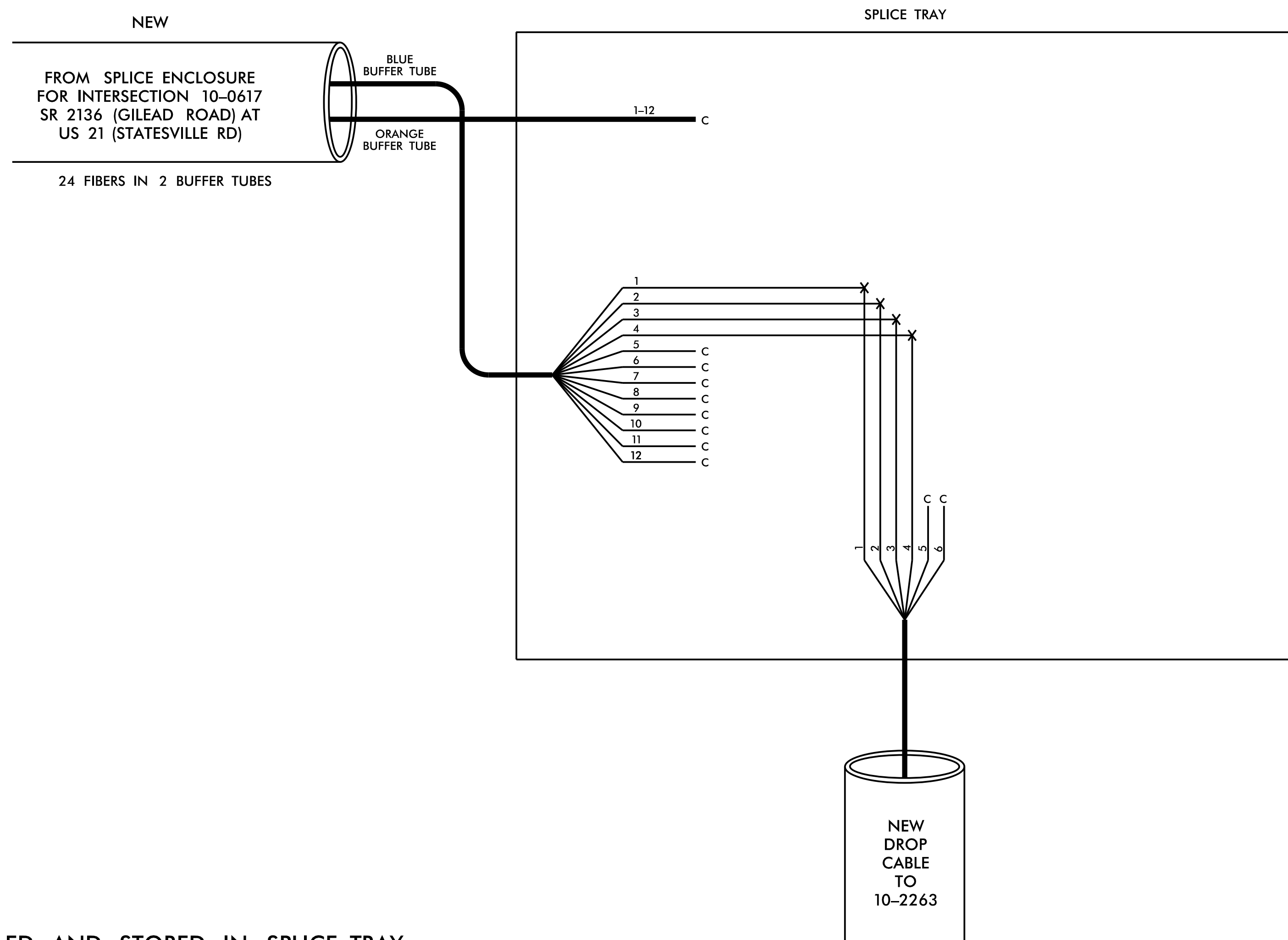


10-2263
SR 2136 (GILEAD RD) AT
COMMERCE CENTER DR

| COLOR CODE TIA/EIA 598-C | | | LEGEND | |
|-----------------------------|-------------|---|--------|--|
| (1) BLUE | (7) RED | X = NEW FUSION SPLICE INDIVIDUAL FIBER | | |
| (2) ORANGE | (8) BLACK | ● = EXISTING FUSION SPLICE | | |
| (3) GREEN | (9) YELLOW | C = CAP AND SEAL | | |
| (4) BROWN | (10) VIOLET | EXPRESS = EXPRESS ENTIRE BUFFER TUBE THROUGH WITHOUT CUTTING | | |
| (5) SLATE | (11) ROSE | BUFFER SPLICE = SPLICE ALL FIBERS IN BUFFER TUBE COLOR TO COLOR | | |
| (6) WHITE | (12) AQUA | | | |





NOTES:

1. UNUSED FIBERS LEFT COILED AND STORED IN SPLICE TRAY.
2. UNUSED BUFFER TUBES LEFT COILED AND STORED IN SPLICE TRAY.
3. TRANSCEIVER TERMINATION CONFIGURATIONS ARE GENERIC. CONTRACTOR IS RESPONSIBLE FOR DETERMINING / ENSURING PROPER TERMINATION.
4. INCLUDE ON THE COVER OF EACH SPLICE TRAY THE FOLLOWING: REFERENCE SECTION 1731 "FIBER OPTIC SPLICE ENCLOSURE"

- (1) SPLICE
- (2) DATE
- (3) COMPANY NAME
- (4) NAME OF INDIVIDUAL PERFORMING THE SPLICING

PRIOR TO INSTALLING THE COVER ON THE SPLICE TRAY, TAKE A DIGITAL PHOTOGRAPH SHOWING THE SPLICE TRAY AND INFORMATION SHOWN ABOVE (1-4) AND SUBMIT PHOTOGRAPH ALONG WITH OTDR TEST RESULTS.

HNTB HNTB NORTH CAROLINA, P.C.
343 E. Six Forks Road, Suite 200
Raleigh, North Carolina 27609
NC License No: C-1554
(919) 548-8997

| | | | | |
|---|-----------|---|--|---|
| Plans Prepared for:  | | <p align="center">SPLICE DETAILS</p> <p>Division 10 Mecklenburg Co. Huntersville</p> <p>PLAN DATE: January 2018 REVIEWED BY: A.D. Klinksiek</p> <p>PREPARED BY: T.R. Terrell REVIEWED BY: N.R. Simmons</p> | |  |
| SCALE NONE | REVISIONS | | | |
| <p>Documented by: <i>Natasha R. Simmons</i> / 23/2018</p> <p>Signature: _____ DATE: _____</p> <p>CADD File name: I5714_U5114_SCP-22.dgn</p> | | <p align="center">DOCUMENT NOT CONSIDERED FINAL UNLESS ALL SIGNATURES COMPLETED</p> | | |