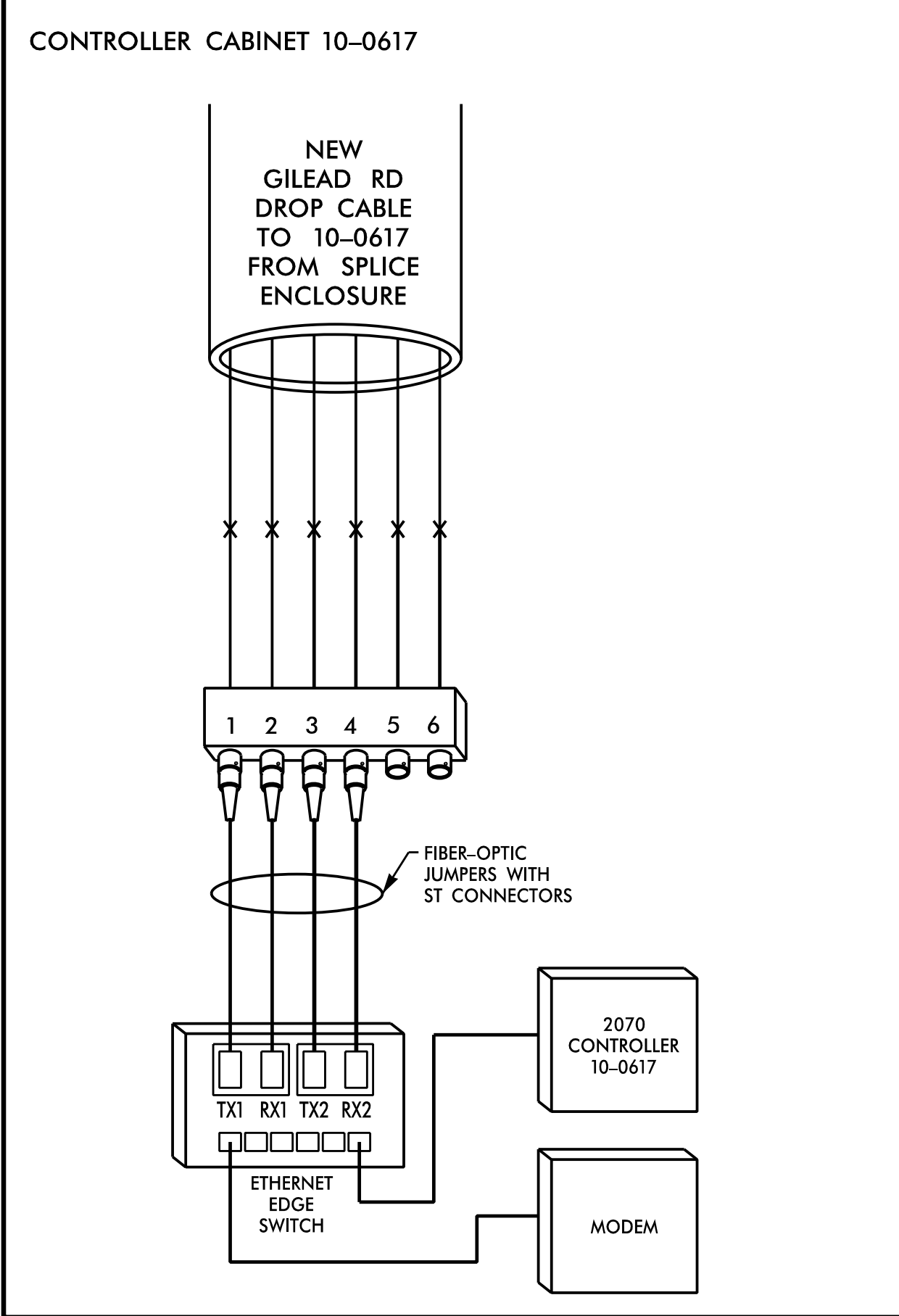


10-0617
SR 2136 (GILEAD ROAD) AT
US 21 (STATESVILLE ROAD)



LEGEND

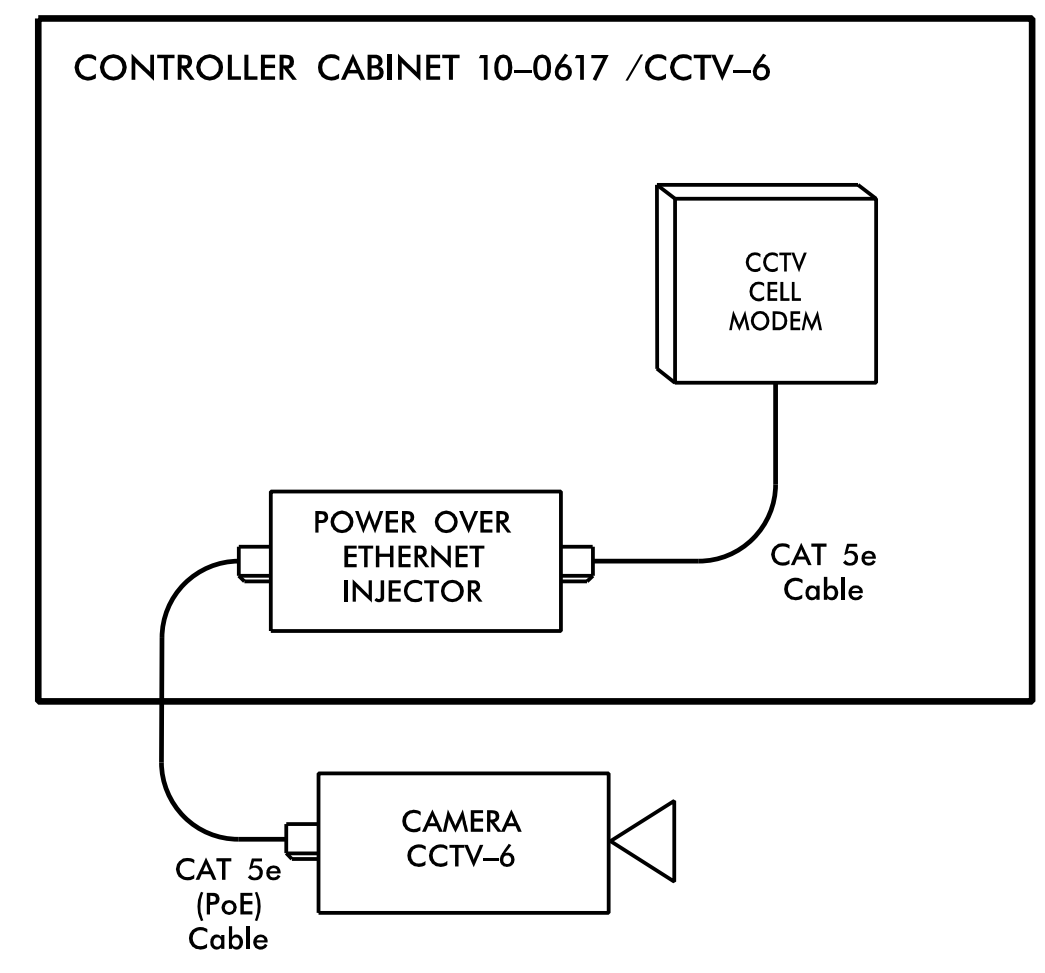
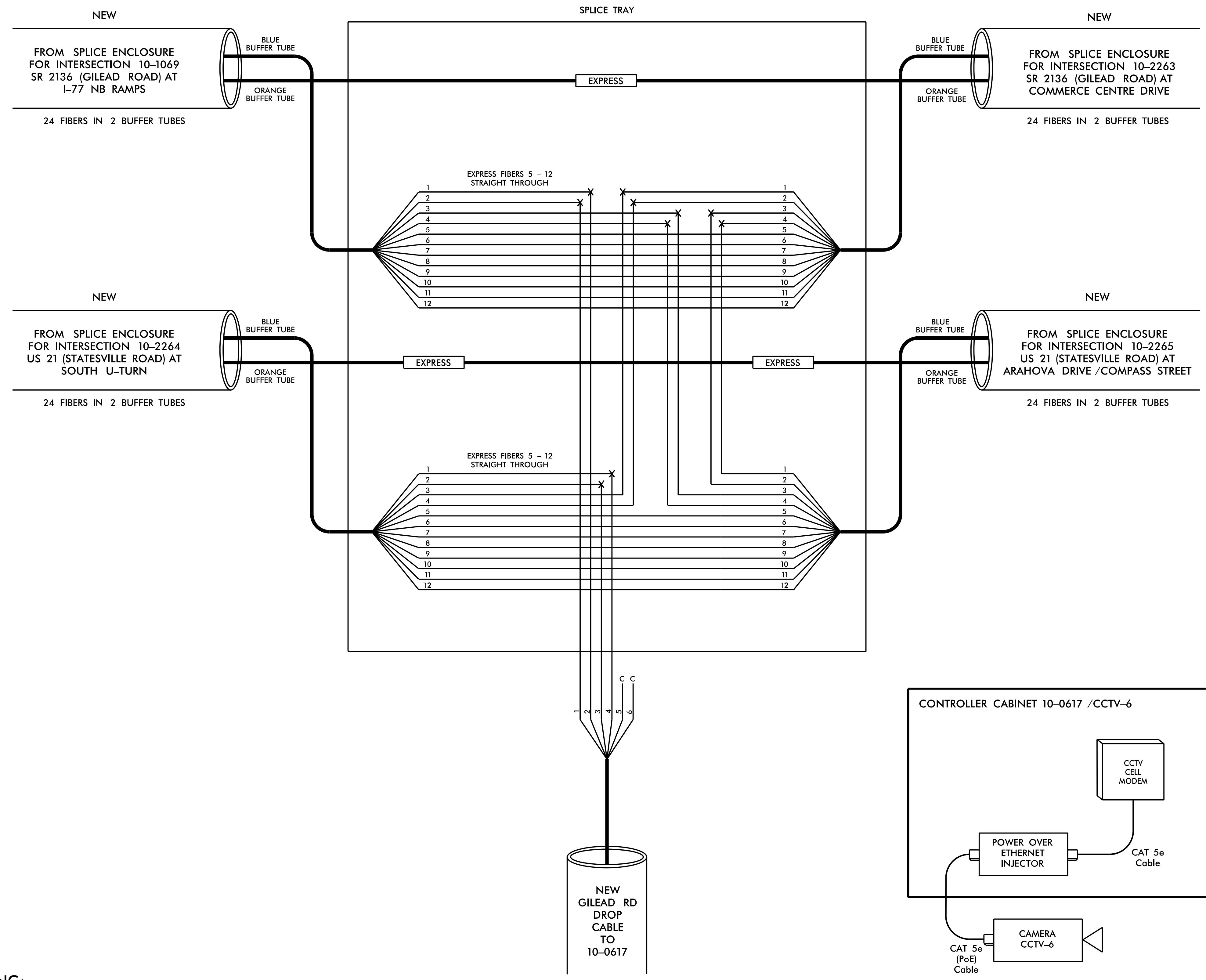
COLOR CODE	TIA/EIA	598-C
(1) BLUE	(7) RED	X = NEW FUSION SPLICE INDIVIDUAL FIBER
(2) ORANGE	(8) BLACK	• = EXISTING FUSION SPLICE
(3) GREEN	(9) YELLOW	C = CAP AND SEAL
(4) BROWN	(10) VIOLET	EXPRESS = EXPRESS ENTIRE BUFFER TUBE THROUGH WITHOUT CUTTING
(5) SLATE	(11) ROSE	BUFFER SPLICE = SPLICE ALL FIBERS IN BUFFER TUBE COLOR TO COLOR
(6) WHITE	(12) AQUA	

NOTES:

1. UNUSED FIBERS LEFT COILED AND STORED IN SPLICE TRAY.
2. UNUSED BUFFER TUBES LEFT COILED AND STORED IN SPLICE TRAY.
3. TRANSCEIVER TERMINATION CONFIGURATIONS ARE GENERIC. CONTRACTOR IS RESPONSIBLE FOR DETERMINING / ENSURING PROPER TERMINATION.
4. INCLUDE ON THE COVER OF EACH SPLICE TRAY THE FOLLOWING: REFERENCE SECTION 1731 "FIBER OPTIC SPLICE ENCLOSURE"

- (1) SPLICE
- (2) DATE
- (3) COMPANY NAME
- (4) NAME OF INDIVIDUAL PERFORMING THE SPLICING

PRIOR TO INSTALLING THE COVER ON THE SPLICE TRAY, TAKE A DIGITAL PHOTOGRAPH SHOWING THE SPLICE TRAY AND INFORMATION SHOWN ABOVE (1-4) AND SUBMIT PHOTOGRAPH ALONG WITH OTDR TEST RESULTS.



DOCUMENT NOT CONSIDERED FINAL UNLESS ALL SIGNATURES COMPLETED

HNTB HNTB NORTH CAROLINA, P.C.
343 E. Six Forks Road, Suite 200
Raleigh, North Carolina 27609
NC License No: C-1554
(919) 548-8997

<p>Plans Prepared for:</p> <p>250 N. Greenfield Place, Garner, NC 27529</p>	<p>SPLICE DETAILS</p> <p>Division 10 Mecklenburg Co. Huntersville</p> <p>PLAN DATE: January 2018 REVIEWED BY: A.D. Klinksiek</p> <p>PREPARED BY: T.R. Terrell REVIEWED BY: N.R. Simmons</p>		<p>SEAL</p> <p>DocuSigned by: Natasha R. Simmons 2/3/2018</p> <p>SIGNATURE DATE</p>							
	<p>SCALE</p> <p>NONE</p>	<p>REVISIONS</p> <table border="1"> <tr> <th>NO.</th> <th>DESCRIPTION</th> <th>INIT.</th> <th>DATE</th> </tr> <tr> <td> </td> <td> </td> <td> </td> <td> </td> </tr> </table>		NO.	DESCRIPTION	INIT.	DATE			
NO.	DESCRIPTION	INIT.	DATE							