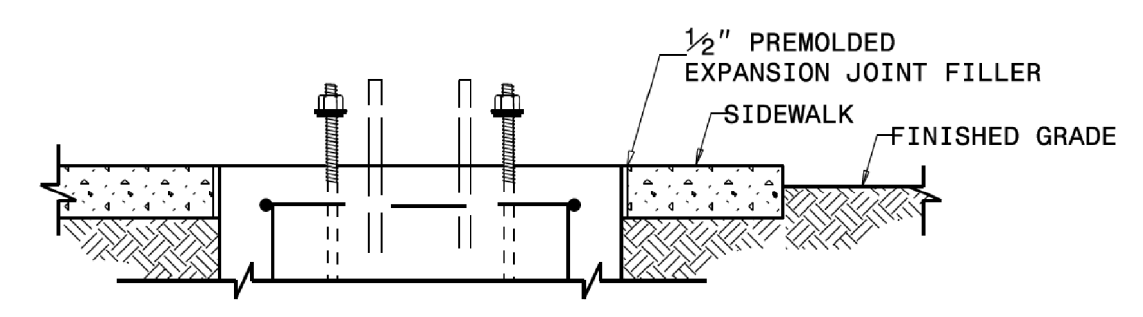
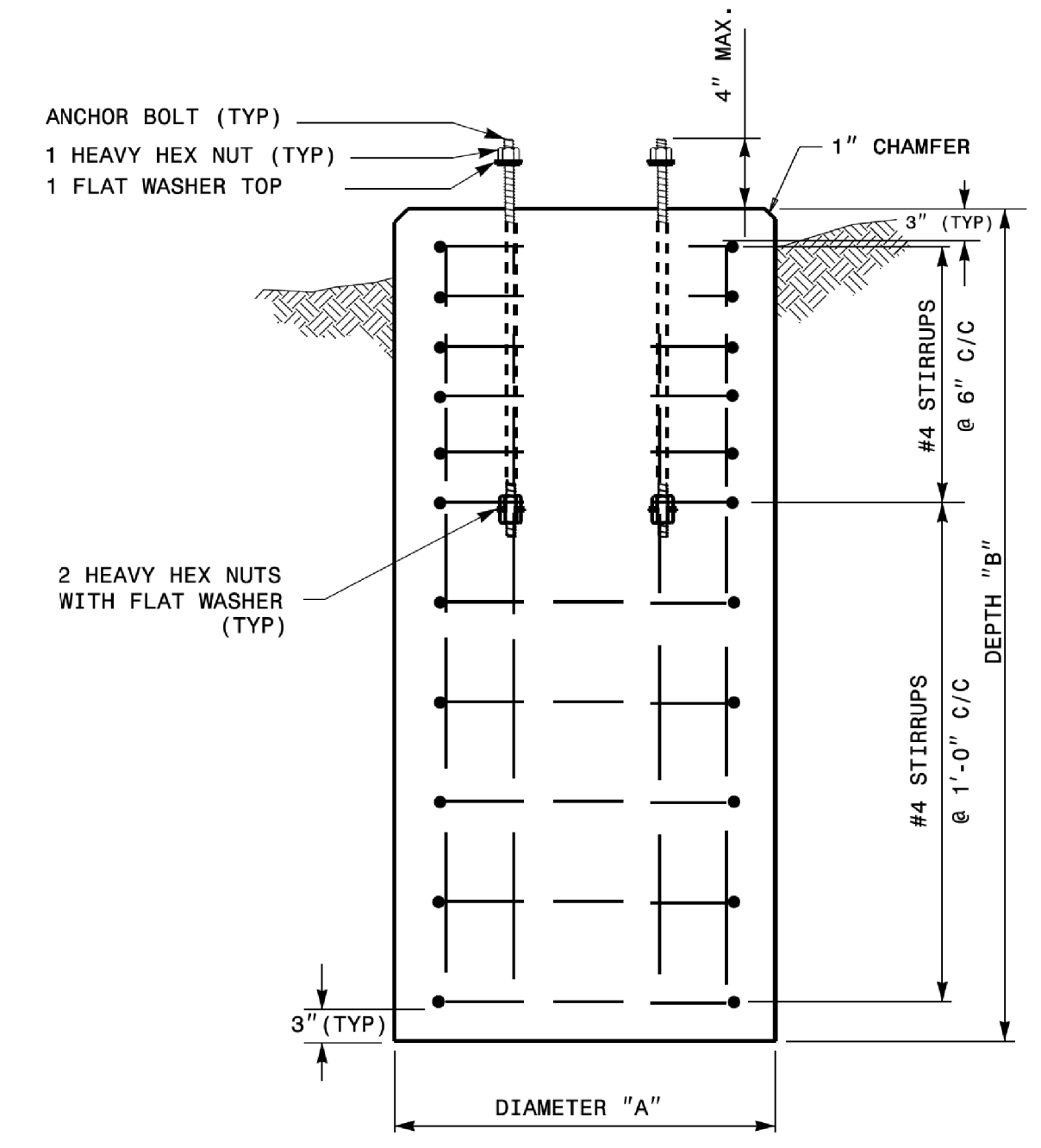


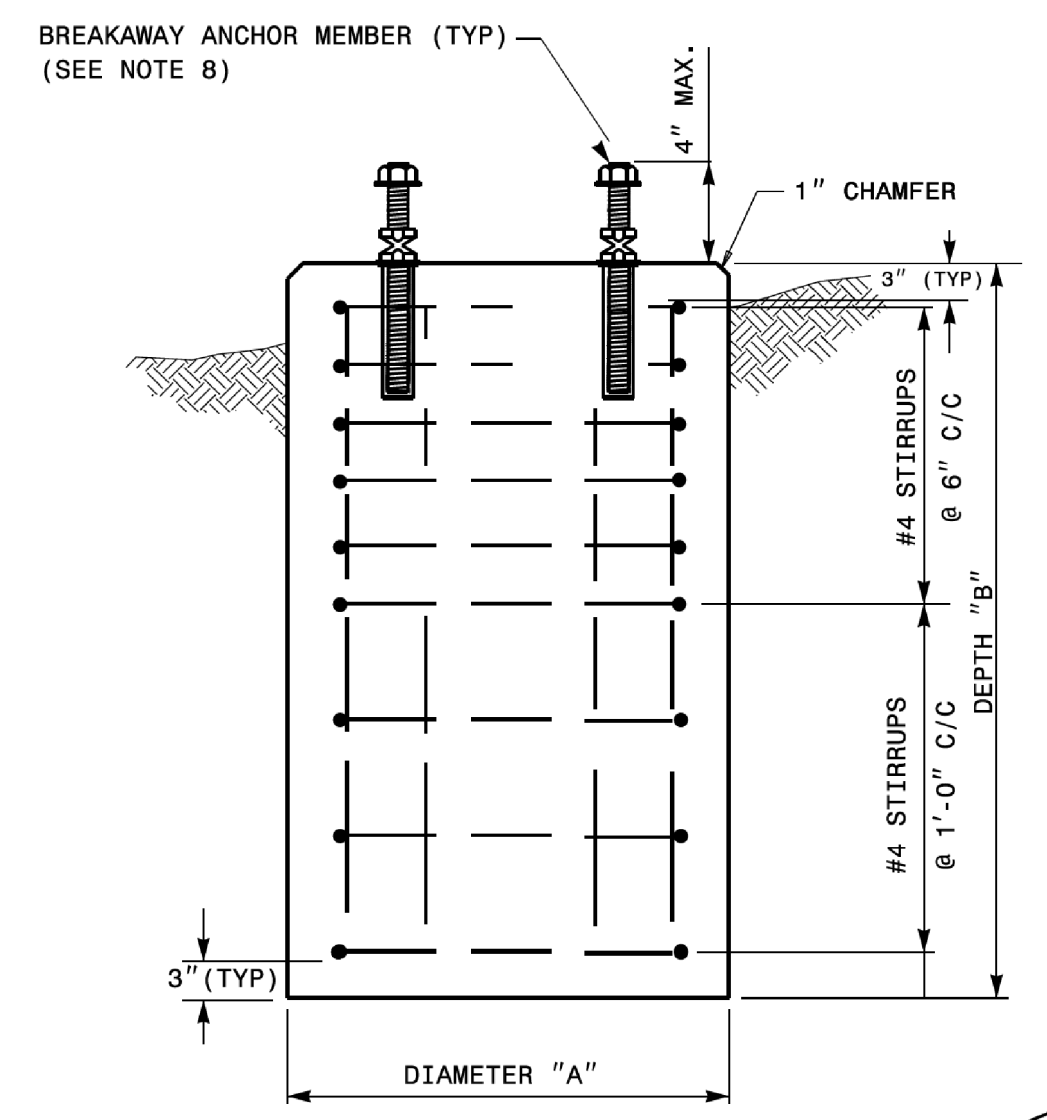
PEDESTAL FOUNDATION - PLAN VIEW



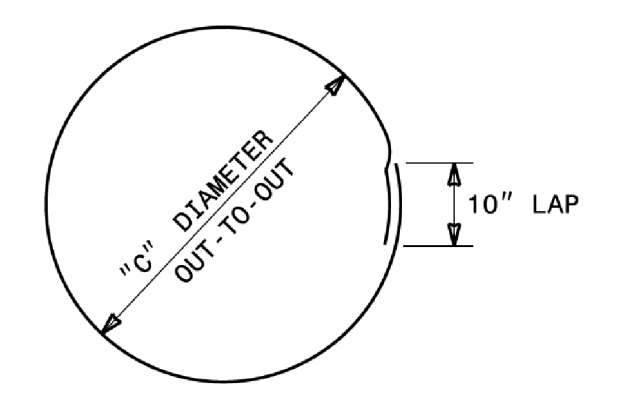
PEDESTAL FOUNDATION DETAILS FOR SIDEWALK



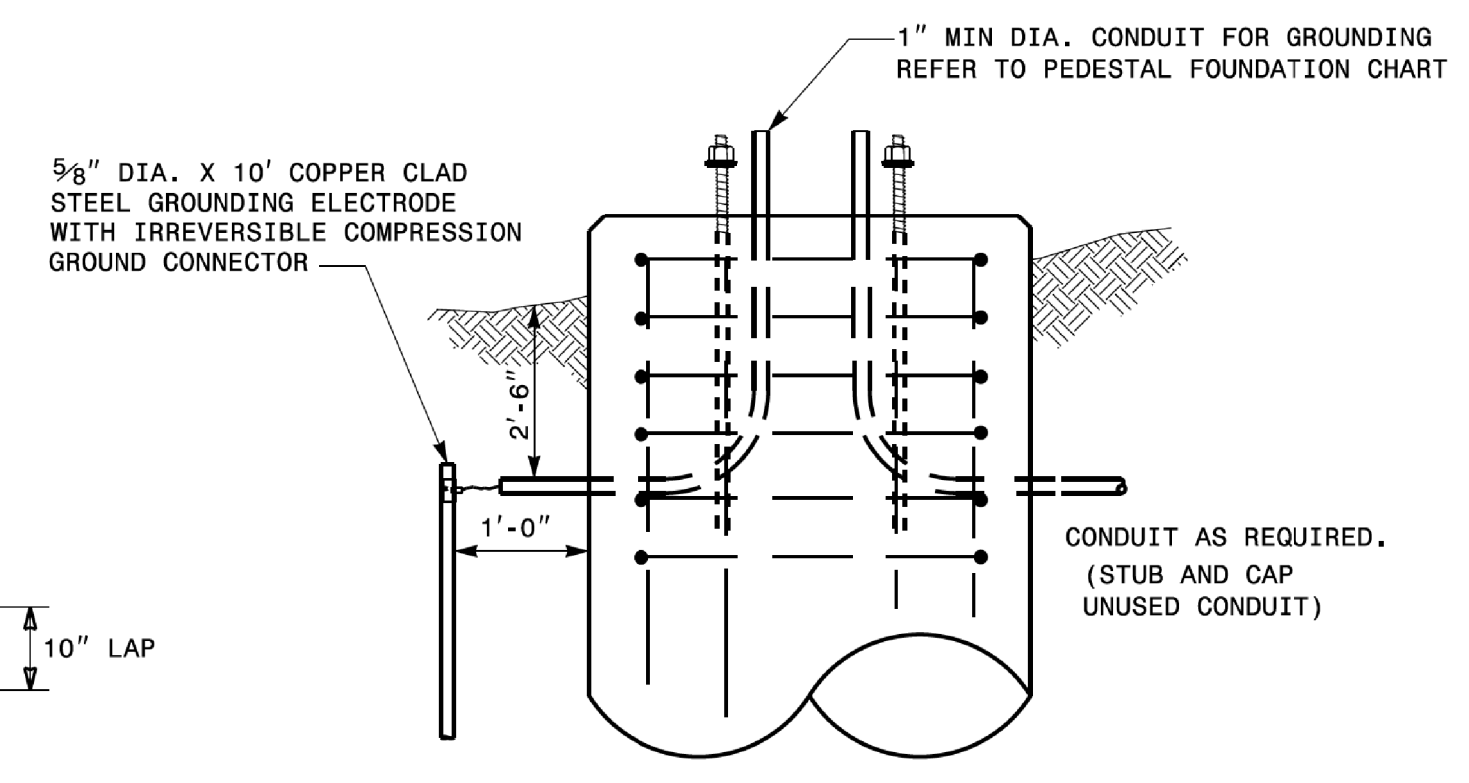
**TYPES I, II & III
SECTION A-A**



**TYPES I & II ONLY
SECTION A-A**



CLOSED HOOPS



GROUNDING & CONDUIT DETAIL

NOTES:

- CAST FOUNDATION AGAINST UNDISTURBED SOIL WHEREVER CONDITIONS PERMIT. IN UNSTABLE SOIL, CAST-IN-PLACE TUBE FORMS ARE ALLOWED WITH APPROVAL.
- COMPLY WITH APPLICABLE PROVISIONS OF SECTION 825 FOR CONCRETE CONSTRUCTION.
- USE CLASS "A" CONCRETE THAT MEETS THE REQUIREMENTS OF SECTION 1000 WITH A COMPRESSION STRENGTH AT 28 DAYS OF $F'c = 3000$ PSI (MIN.).
- USE ASTM GRADE 60 DEFORMED BARS FOR ALL REINFORCING STEEL.
- GRADE IS ASSUMED TO BE (8H:1V) OR FLATTER. FOUNDATION SIZE AND DEPTHS ARE BASED ON THE FOLLOWING SOIL DESIGN PARAMETERS:
 - SANDY TYPE SOIL
 - NO GROUND WATER WITHIN 5'-0" OF SURFACE ELEVATION
 - WIND SPEED NOT TO EXCEED 140 MPH
 IF ACTUAL CONDITIONS VARY SUBSTANTIALLY FROM THOSE ASSUMED, THE FOUNDATION DEPTH MAY BE ADJUSTED. IN THIS CASE, CONTACT THE ENGINEER.
- MAINTAIN AT LEAST 3" COVER ON ALL REINFORCEMENT.
- ORIENT CONDUIT AS REQUIRED BY THE DESIGN OR AS DICTATED BY FIELD CONDITIONS.
- USE ADHESIVE ANCHOR FOR THREADED COUPLING INSERT. FOR TYPE I MINIMUM DEPTH NECESSARY IS 0'-4 1/2" AND FOR TYPE II MINIMUM DEPTH NECESSARY IS 0'-6 5/8". FOLLOW MANUFACTURER'S INSTALLATION INSTRUCTIONS.

| PEDESTAL FOUNDATION TYPE AND SIZE | | | | | | | |
|-----------------------------------|-----------------------|-----------------|--------------|--------------------|--------------------|--------------|-----------------------------------|
| TYPE | PEDESTAL DESCRIPTION | SIZE | | | ANCHOR BOLT | | INSTALL GROUNDING SYSTEM (YES/NO) |
| | | DIAMETER "A" FT | DEPTH "B" FT | CONCRETE VOLUME CY | DIAMETER (MIN.) IN | LENGTH FT-IN | |
| I | PEDESTRIAN PUSHBUTTON | 2'-0" | 3'-6" | .41 | 1/2 | 1'-6" | NO |
| II | NORMAL-DUTY | 2'-0" | 5'-0" | .58 | 3/4 | 2'-0" | YES |
| III | HEAVY-DUTY | 2'-6" | 7'-0" | 1.27 | 1 | 4'-0" | YES |

| REINFORCING STEEL SCHEDULE | | | | | | | | | | | | | |
|----------------------------|--------|-----|--------|------------|---------------|----------------|-------|--------|-----------------|--------------|------------|------------------------|-----|
| TYPE | V-BAR | | | | STIRRUP | | | | | | | | |
| | SIZE # | QTY | LENGTH | WEIGHT LBS | QUANTITY | | | LENGTH | DIAMETER "C" FT | OVERLAP MIN. | WEIGHT LBS | TOTAL STEEL WEIGHT LBS | |
| | | | | | ON 6" CENTERS | ON 12" CENTERS | TOTAL | | | | | | |
| I | 8 | 6 | 3'-0" | 56 | 4 | 4 | 4 | 5'-7" | 1'-6" | 0'-10" | 15 | 71 | |
| II | 8 | 6 | 4'-6" | 86 | 4 | 5 | 3 | 8 | 5'-7" | 1'-6" | 0'-10" | 30 | 116 |
| III | 8 | 6 | 6'-6" | 122 | 4 | 7 | 4 | 11 | 7'-2" | 2'-0" | 0'-10" | 53 | 175 |

STATE OF NORTH CAROLINA
 DEPT. OF TRANSPORTATION
 DIVISION OF HIGHWAYS
 RALEIGH, N.C.

ENGLISH STANDARD DRAWING FOR
PEDESTALS
 FOUNDATIONS

SHEET 1 OF 1
1743D01

11-0CT-2017 09:03
 U:\2018 Std Drawings\Plate Sheets\2018_Plate Sheet -dgn
 r.w.kough

DOCUMENT NOT CONSIDERED
 FINAL UNLESS ALL
 SIGNATURES COMPLETED

See Plate for Title

