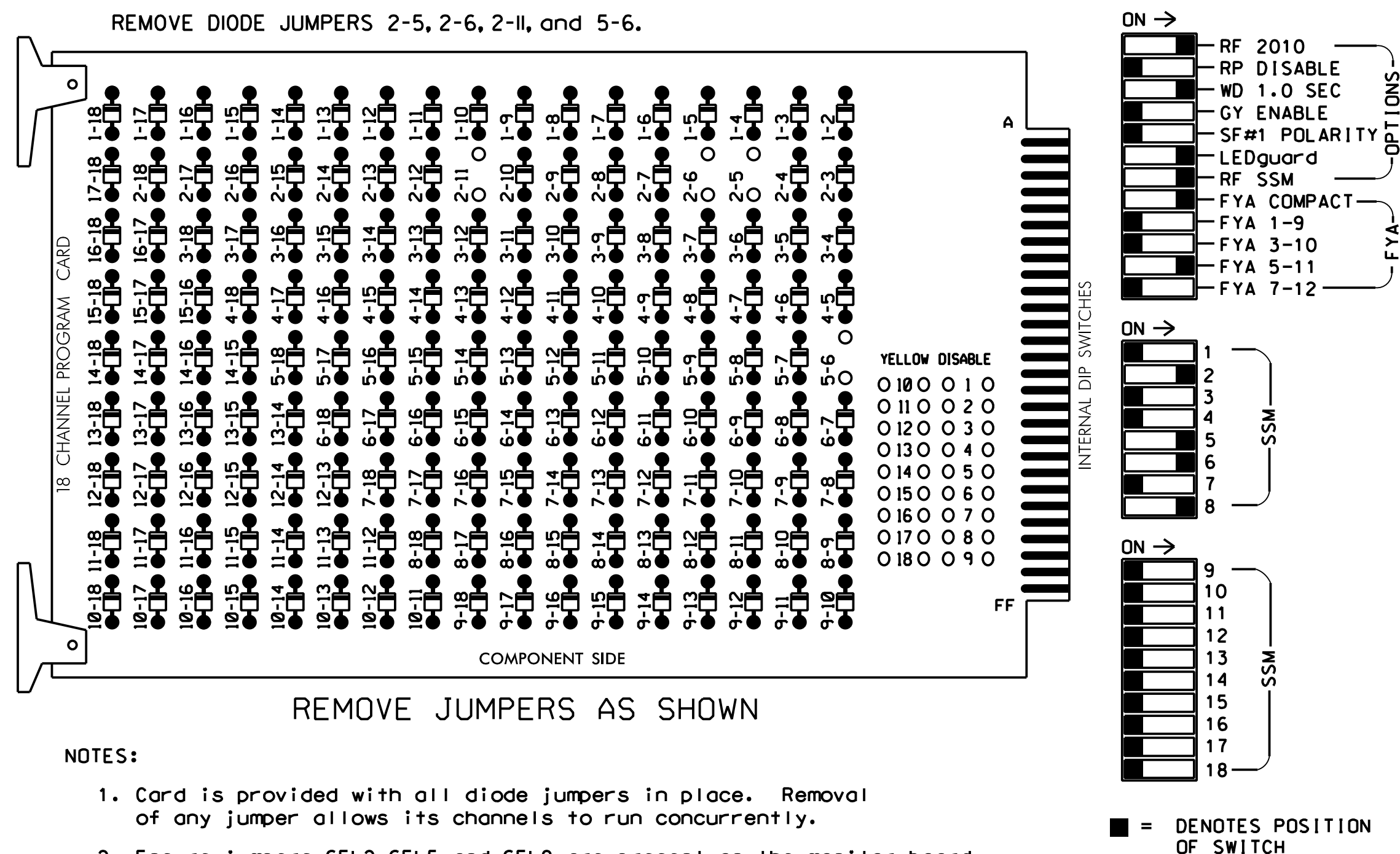


### EDI MODEL 2018ECLIP-NC CONFLICT MONITOR PROGRAMMING DETAIL

(remove jumpers and set switches as shown)



**NOTES:**

- Card is provided with all diode jumpers in place. Removal of any jumper allows its channels to run concurrently.
- Ensure jumpers SEL2-SEL5 and SEL9 are present on the monitor board.
- Ensure that Red Enable is active at all times during normal operation.
- Special cabinet wiring is required to utilize FYA COMPACT mode. See Ped Yellow Conflict Monitor Wiring Detail on this sheet.

### NOTES

- To prevent "flash-conflict" problems, insert red flash program blocks for all unused vehicle load switches in the output file. The installer shall verify that signal heads flash in accordance with the Signal Plans.
- Enable Simultaneous Gap-Out for all Phases.
- Program phases 2 and 6 for Startup In Green.
- Program phases 2 and 6 for Yellow Flash.
- The cabinet and controller are part of the Gilead Road Closed Loop System.

### EQUIPMENT INFORMATION

CONTROLLER.....2070E  
 CABINET.....336  
 SOFTWARE.....ECONOLITE OASIS  
 CABINET MOUNT.....POLE  
 OUTPUT FILE POSITIONS...12  
 LOAD SWITCHES USED.....S2,S7,S8,S9,S11  
 PHASES USED.....2,5,6,8  
 OVERLAP "A".....NOT USED  
 OVERLAP "B".....NOT USED  
 OVERLAP "C".....5+6  
 OVERLAP "D".....NOT USED

### SIGNAL HEAD HOOK-UP CHART

LOAD SWITCH NO.	S1	S2	S3	S4	S5	S6	S7	S8	S9	S10	S11	S12	
CMU CHANNEL NO.	1	2	13	3	4	14	5	6	11	15	7	8	16
PHASE	1	2	2 PED	3	4	4 PED	OLC	6	5 GRN	6 PED	7	8	8 PED
SIGNAL HEAD NO.	NU	21,22	NU	NU	NU	NU	51*	61,62	51*	NU	NU	81,82, 83	NU
RED		128						134				107	
YELLOW		129						135				108	
GREEN		130						136				109	
RED ARROW								131					
YELLOW ARROW								132					
FLASHING YELLOW ARROW								133					
GREEN ARROW									120				
										*			

NU = Not Used

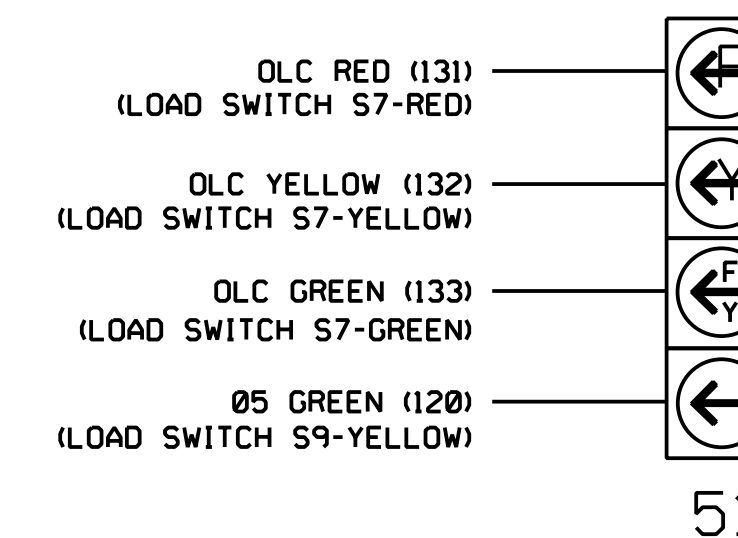
\* Denotes install load resistor. See load resistor installation detail this sheet.

★ See pictorial of head wiring in detail this sheet.

NOTE: Load switches S7 and S9 require output remapping. See Sheet 3 of this electrical detail for instructions.

### FYA SIGNAL WIRING DETAIL

(wire signal heads as shown)

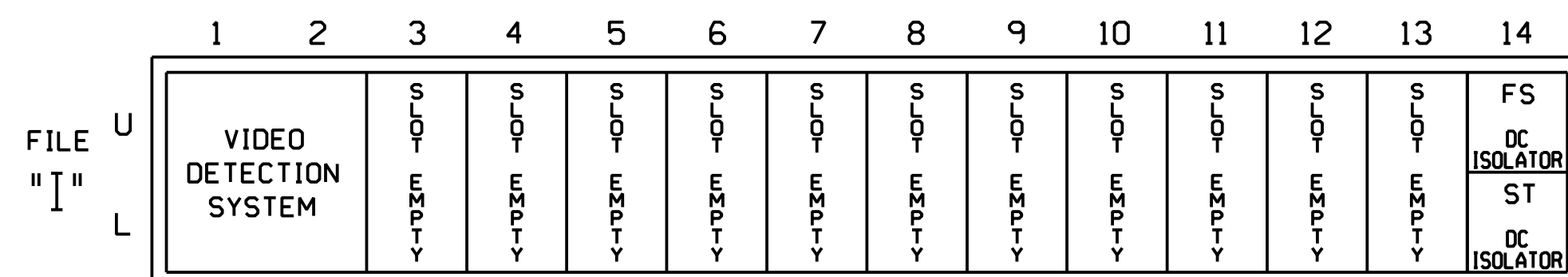


**NOTE**

The sequence display for signal head 51 requires special logic and output remapping. See sheets 2-3 for programming instructions.

### INPUT FILE POSITION LAYOUT

(front view)



EX.: 1A, 2A, ETC. = LOOP NO.'S

FS = FLASH SENSE  
 ST = STOP TIME

### SPECIAL DETECTOR NOTE

Install a video detection system for vehicle detection. Perform installation according to manufacturer's directions and NCDOT engineer-approved mounting locations to accomplish the detection schemes shown on the Signal Design Plans.

### PED YELLOW CONFLICT MONITOR WIRING DETAIL

(make cabinet wiring changes as shown below)

In order to use FYA COMPACT mode with the 2018ECLIP-NC Monitor, the cabinet must be wired such that the (unused) Ped Yellow load switch outputs are wired to the conflict monitor as follows: From 6 PY (field term, 120) to chan. 10 green (monitor pin R).

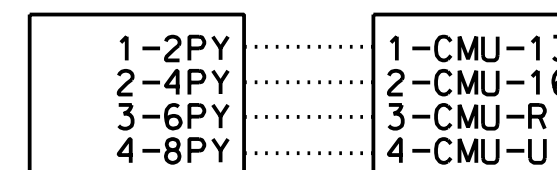
Follow the instructions below to make the appropriate connections:  
 STEP 1: Fold down rear panel of output file.

STEP 2: Find unused wiring harness from conflict monitor card edge connector (which should be tied and bundled together).

STEP 3: Find the conductors that correspond to the following conflict monitor card edge pins and solder wire to the appropriate terminal on the rear of the output file as shown below:

CMU-R \_\_\_\_\_ 6PY (term. 120)

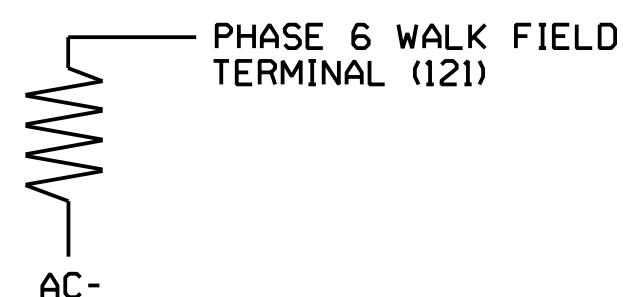
NOTE: Some cabinet manufacturers use keyed connectors to accomplish this wiring configuration. If connectors are used, fold down the rear panel of the output file and find the set of 3 keyed connectors and connect them as shown below:



### LOAD RESISTOR INSTALLATION DETAIL

(install resistors as shown below)

VALUE (ohms)	WATTAGE
1.5K - 1.9K	25W (min)
2.0K - 3.0K	10W (min)



Electrical Detail - Sheet 1 of 3  
 Signal Upgrade  
 Temporary Design 2

**DOCUMENT NOT CONSIDERED FINAL UNLESS ALL SIGNATURES COMPLETED**

	SR 2136 (Gilead Road) at I-77 NB Ramps		SEAL 
	Division 10 Mecklenburg Co. Huntersville		
Prepared in the Office of: 		PLAN DATE: December 2017 PREPARED BY: A.H. Thornburg REVIEWED BY: A.D. Klinksiek REVIEWED BY: N.R. Simmons	DocuSigned by: Natasha R. Simmons DATE: 4/23/2018
HNTB NORTH CAROLINA, P.C. 343 E. Six Forks Road, Suite 200 Raleigh, North Carolina 27609 NC License No: C-1554 (919) 546-8997		REVISIONS INIT. DATE	SIG. INVENTORY NO. 10-1619 T2