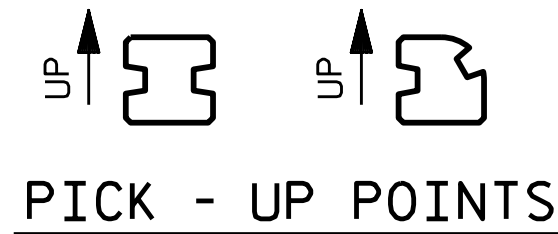


ONE POINT PICK - UP

TWO POINT PICK - UP

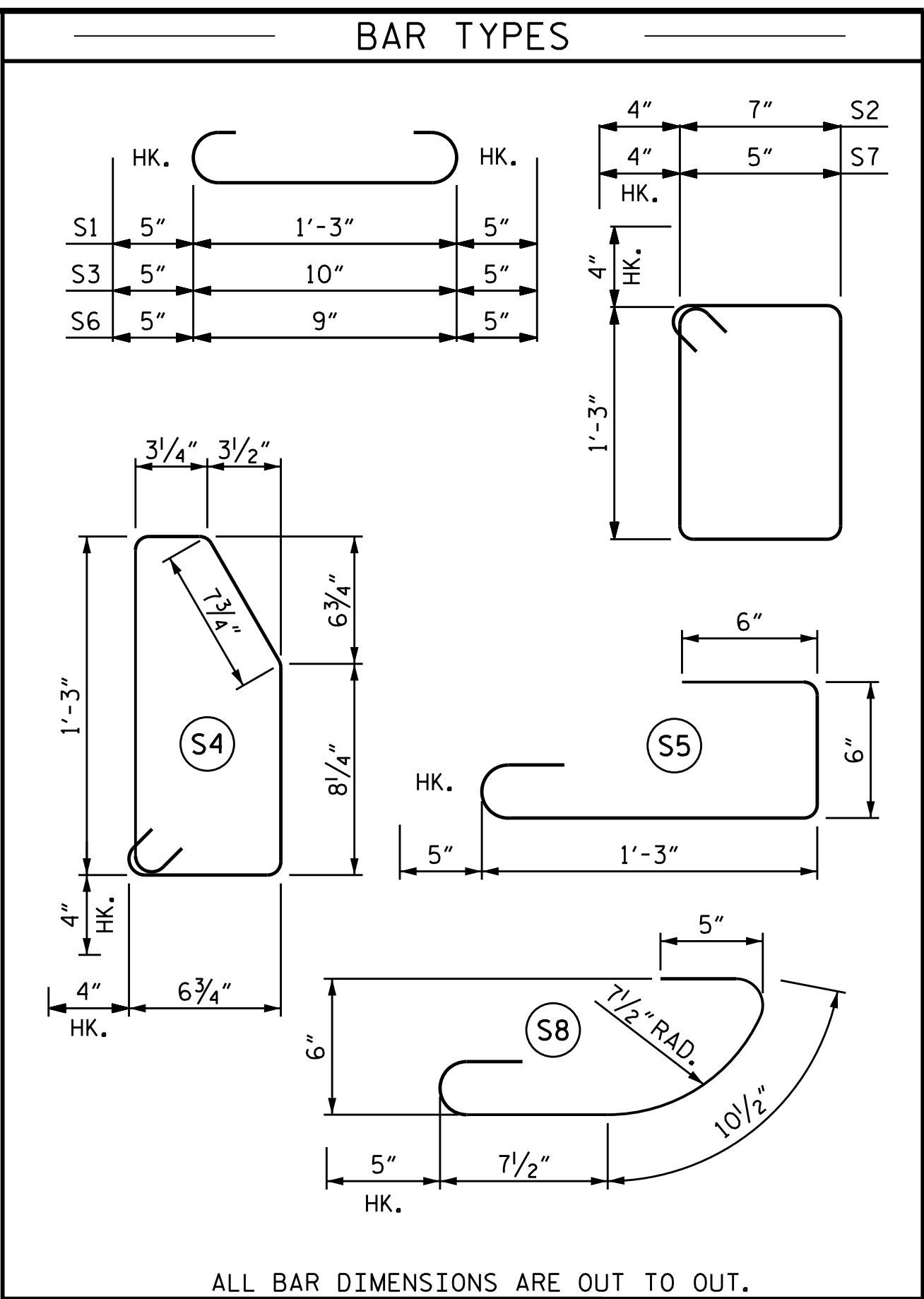


PICK - UP POINTS

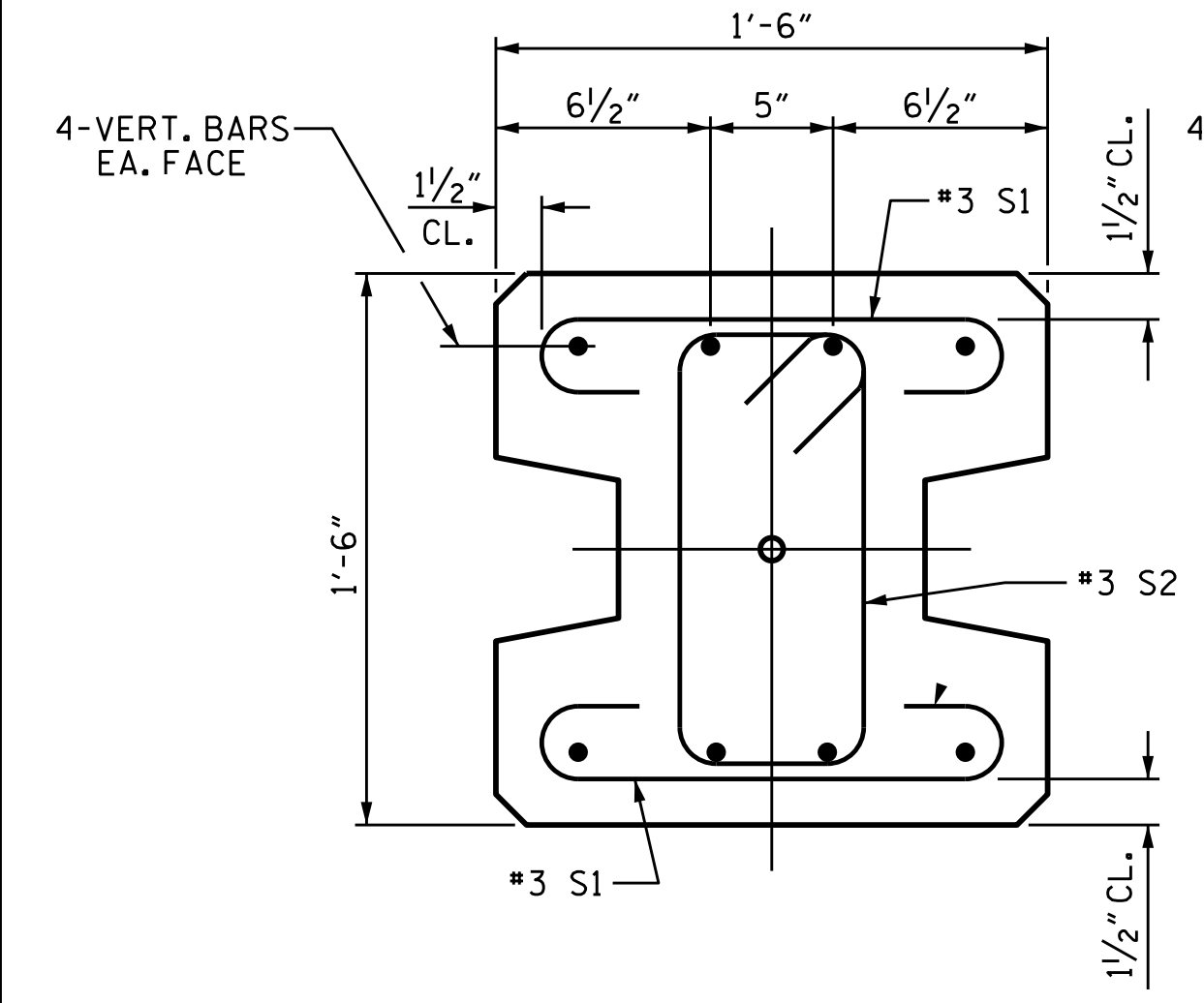
NOTES

CONCRETE DESIGN DATA : $f'_c = 5,000$ PSI
 PROPOSED DEVICES FOR LIFTING PILES, RECESS DETAILS, AND PATCHING MATERIAL SHALL BE DETAILED IN SHOP DRAWINGS. AFTER ATTACHMENTS HAVE BEEN REMOVED, OPENINGS SHALL BE REPAIRED SUCH THAT THE APPEARANCE OF THE PILE IS UNIFORM.
 WHERE CAST-IN-PLACE LIFTING DEVICES ARE NOT USED, PICK-UP POINTS TO BE INDICATED WITH A BLACK MARK 2" WIDE.
 THE SLIP-FORM METHOD OF CASTING PILES WILL NOT BE PERMITTED.
 ALL CORNERS TO BE CHAMFERED 1".

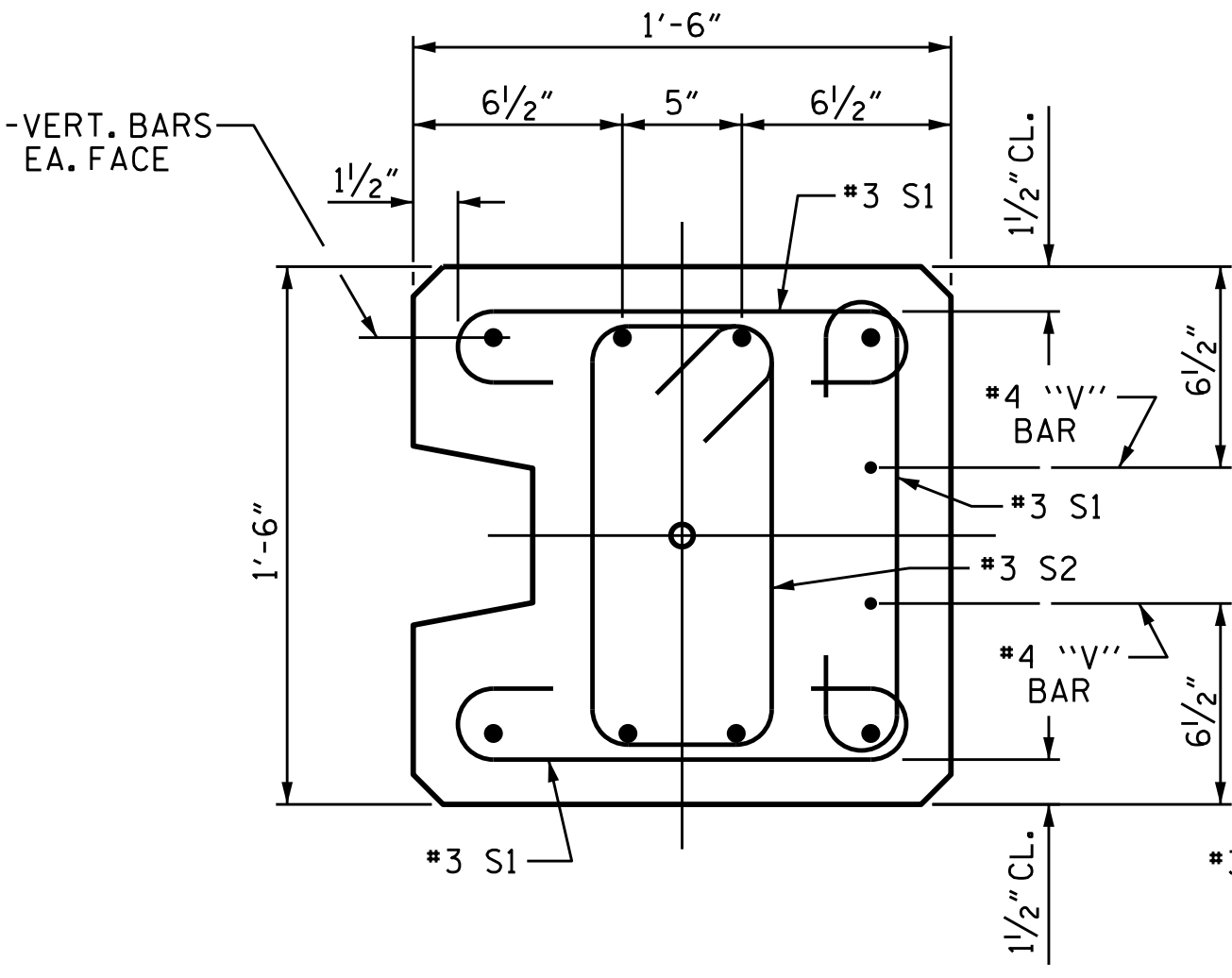
LENGTH	APPROX. PILE WT. TONS	ONE PICK-UP POINT		TWO PICK-UP POINT	
		0.300L	0.700L	0.207L	0.586L
10'-0"	1.56	3'-0"	7'-0"		
15'-0"	2.35	4'-6"	10'-6"		
20'-0"	3.14	6'-0"	14'-0"		
25'-0"	3.93	7'-6"	17'-6"		
30'-0"	4.70	9'-0"	21'-0"		
35'-0"	5.49	10'-6"	24'-6"		
40'-0"	6.28	12'-0"	28'-0"		
45'-0"	7.05	13'-6"	31'-6"		
50'-0"	7.84	15'-0"	35'-0"		
55'-0"	8.63			11'-4 1/2"	32'-3"
60'-0"	9.42			12'-5"	35'-2"



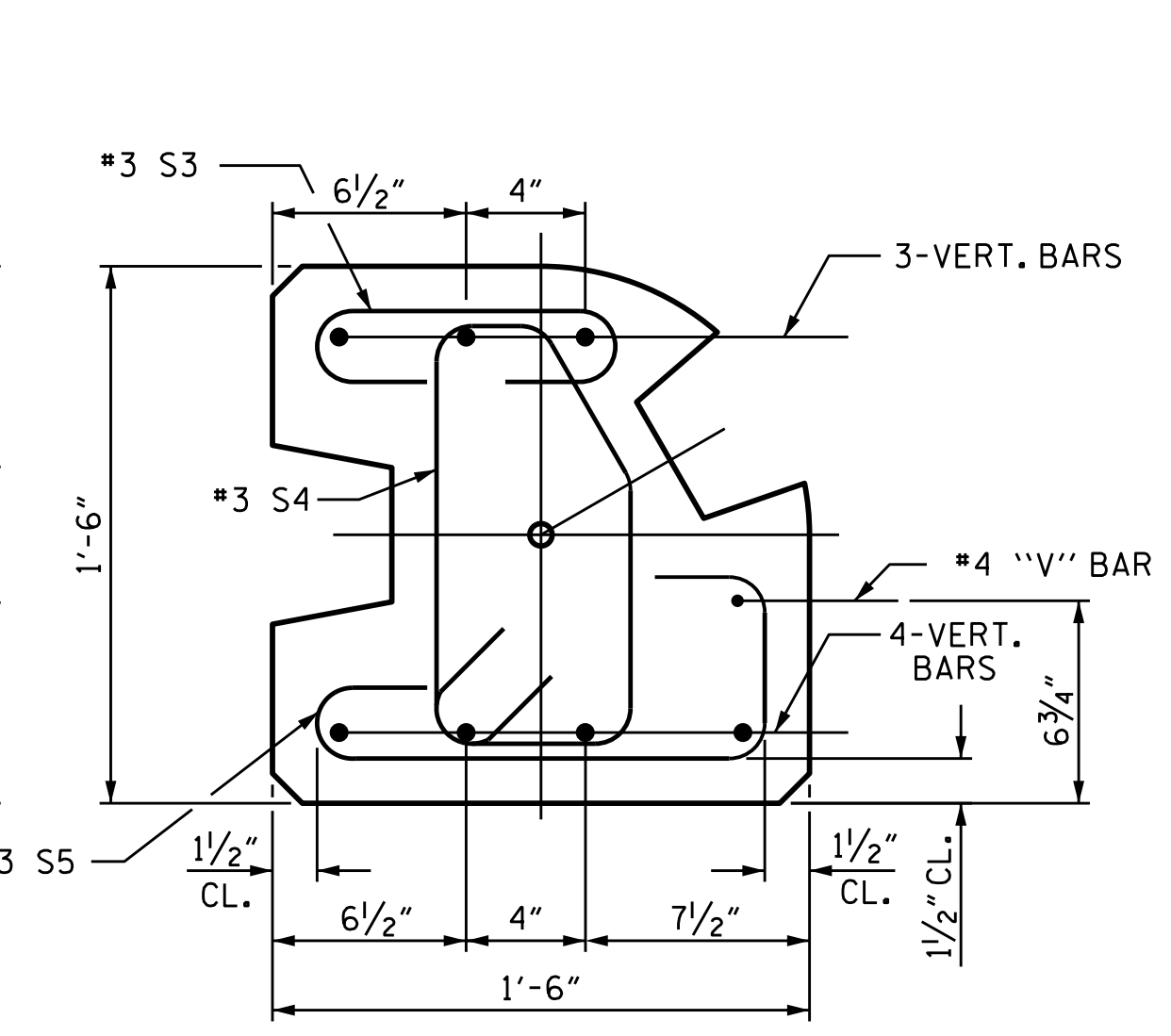
ALL BAR DIMENSIONS ARE OUT TO OUT.



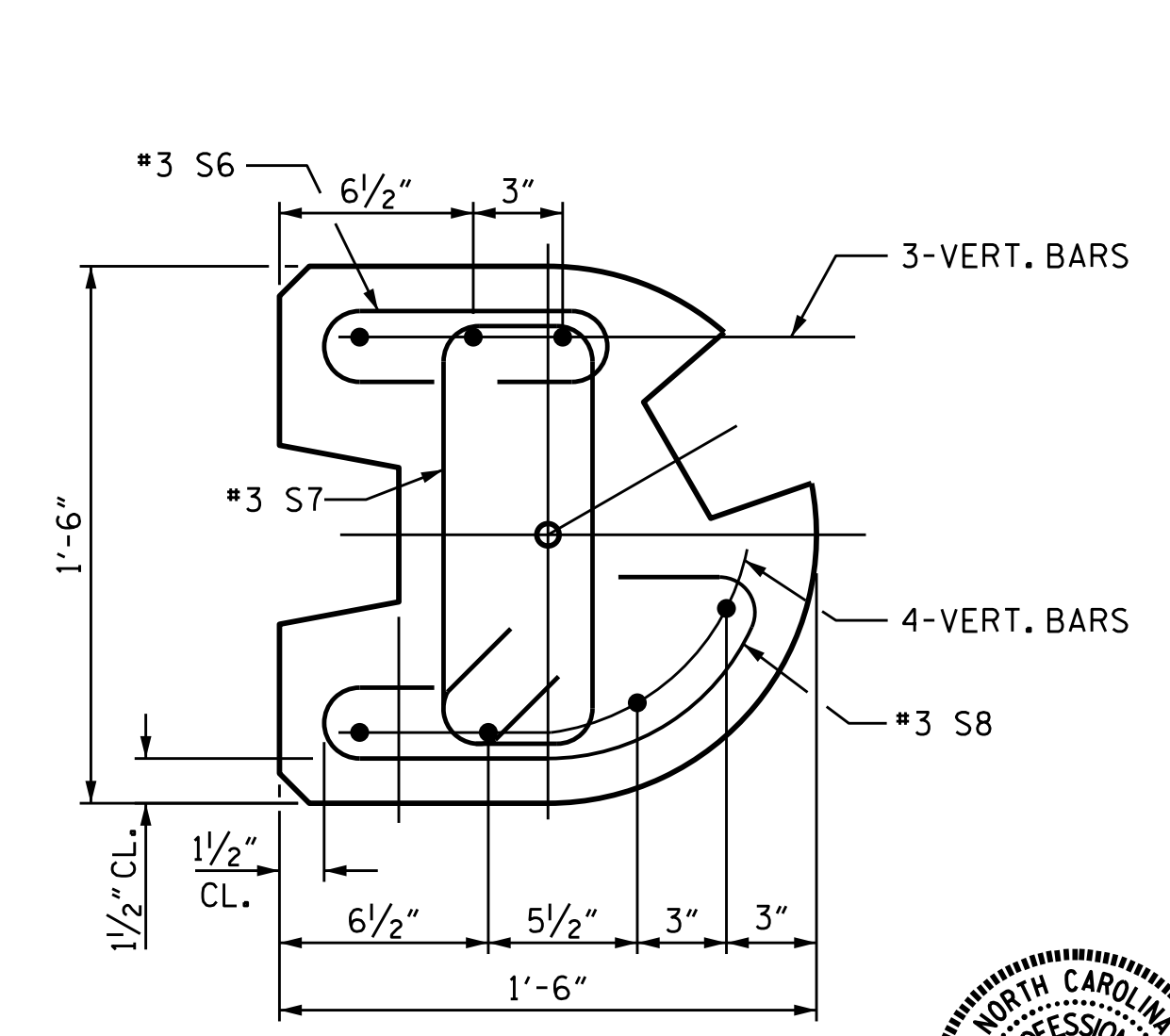
TYPE - I



TYPE - II



TYPE - III



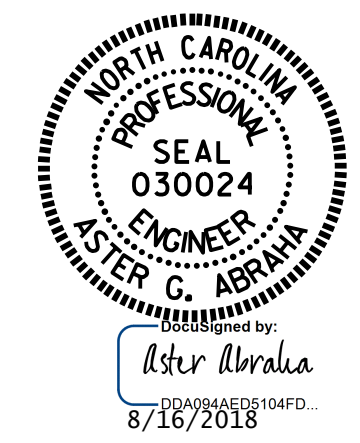
TYPE - III (ALT.)

PILE DETAIL

FOR VERTICAL BAR PILE REINFORCING, SEE SHEET 1 OF 3

PROJECT NO. R-3825B
 JOHNSTON COUNTY
 STATIONS: 72+09.00 -L-
82+15.00 -L-
102+88.25 -L-

SHEET 5 OF 5



STATE OF NORTH CAROLINA
 DEPARTMENT OF TRANSPORTATION
 RALEIGH
 SOUND BARRIER WALL
 DETAILS
 NW2A, NW2, AND NW3

ASSEMBLED BY : S. WANCE	DATE : 07/2018
CHECKED BY : M. A. AHMED	DATE : 07/2018
DRAWN BY : MAA 6/11	REV. 1/15/14 RWW/TMG
CHECKED BY : GM 6/11	REV. 12/17 MAA/THC

DOCUMENT NOT CONSIDERED FINAL UNLESS ALL SIGNATURES COMPLETED

REVISIONS						SHEET NO.	
NO.	BY:	DATE:	NO.	BY:	DATE:	NW-5	
1			3			TOTAL SHEETS 5	
2			4				