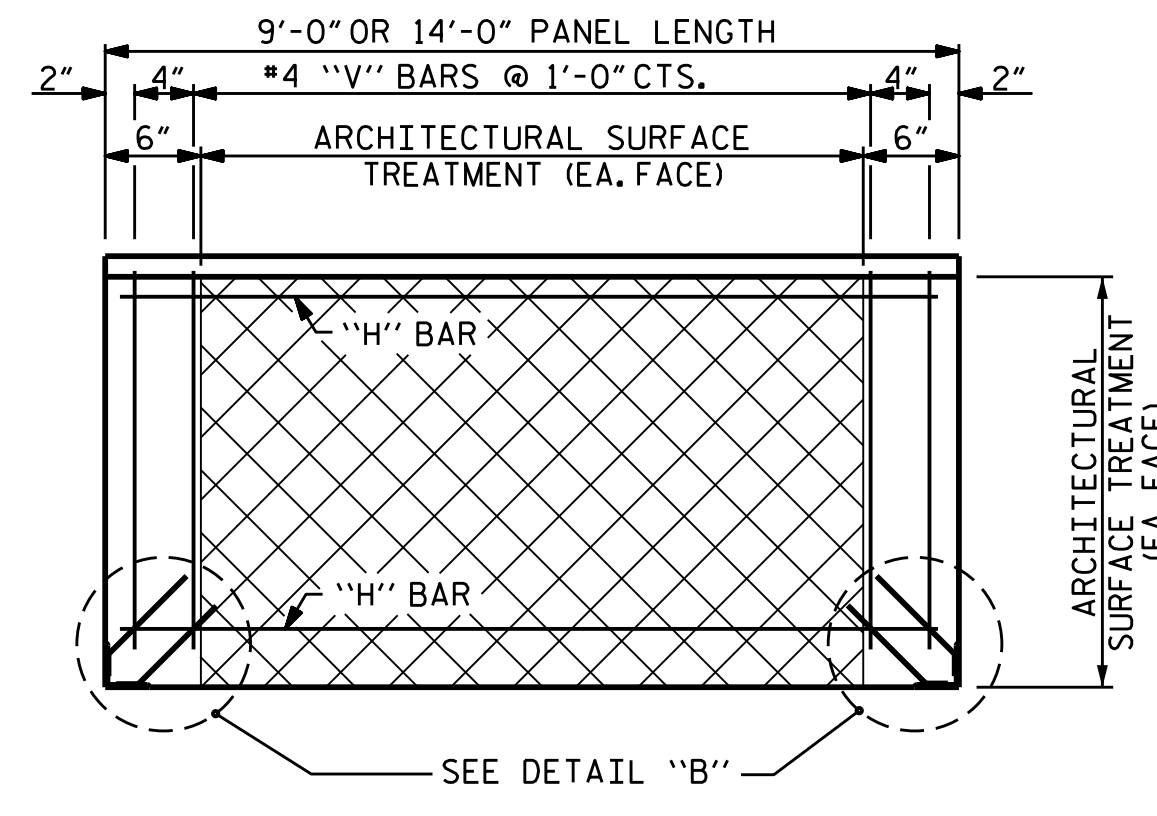
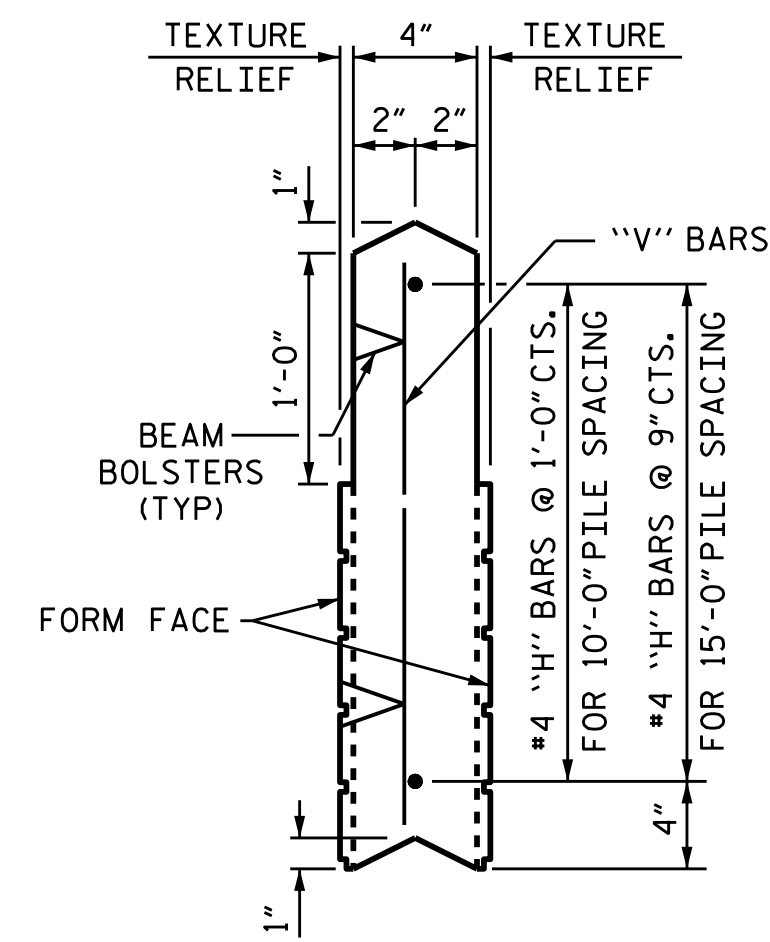


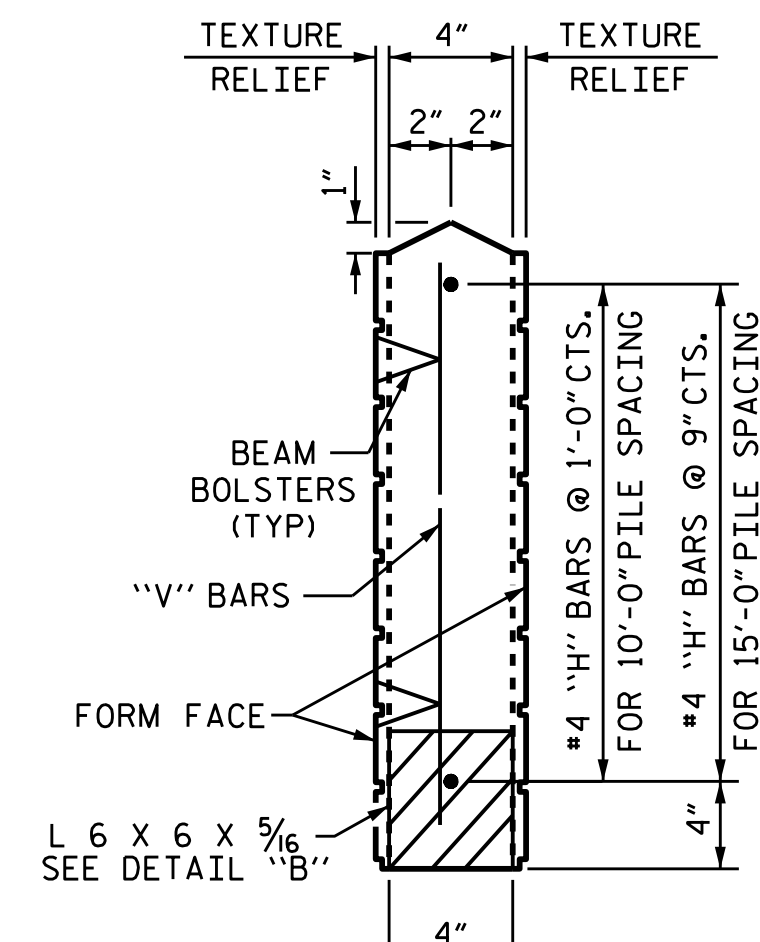
FRONT ELEVATION OF UPPER PRECAST PANEL



FRONT ELEVATION OF BOTTOM PRECAST PANEL

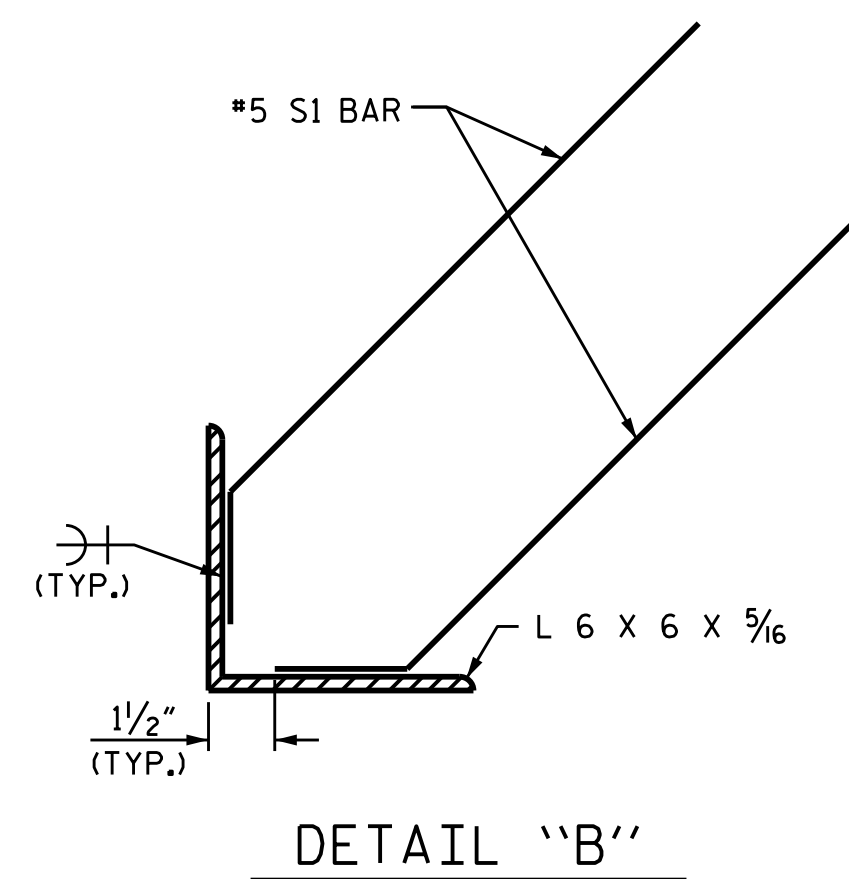


UPPER PANEL



BOTTOM PANEL

SECTION THROUGH PRECAST PANELS



DETAIL "B"

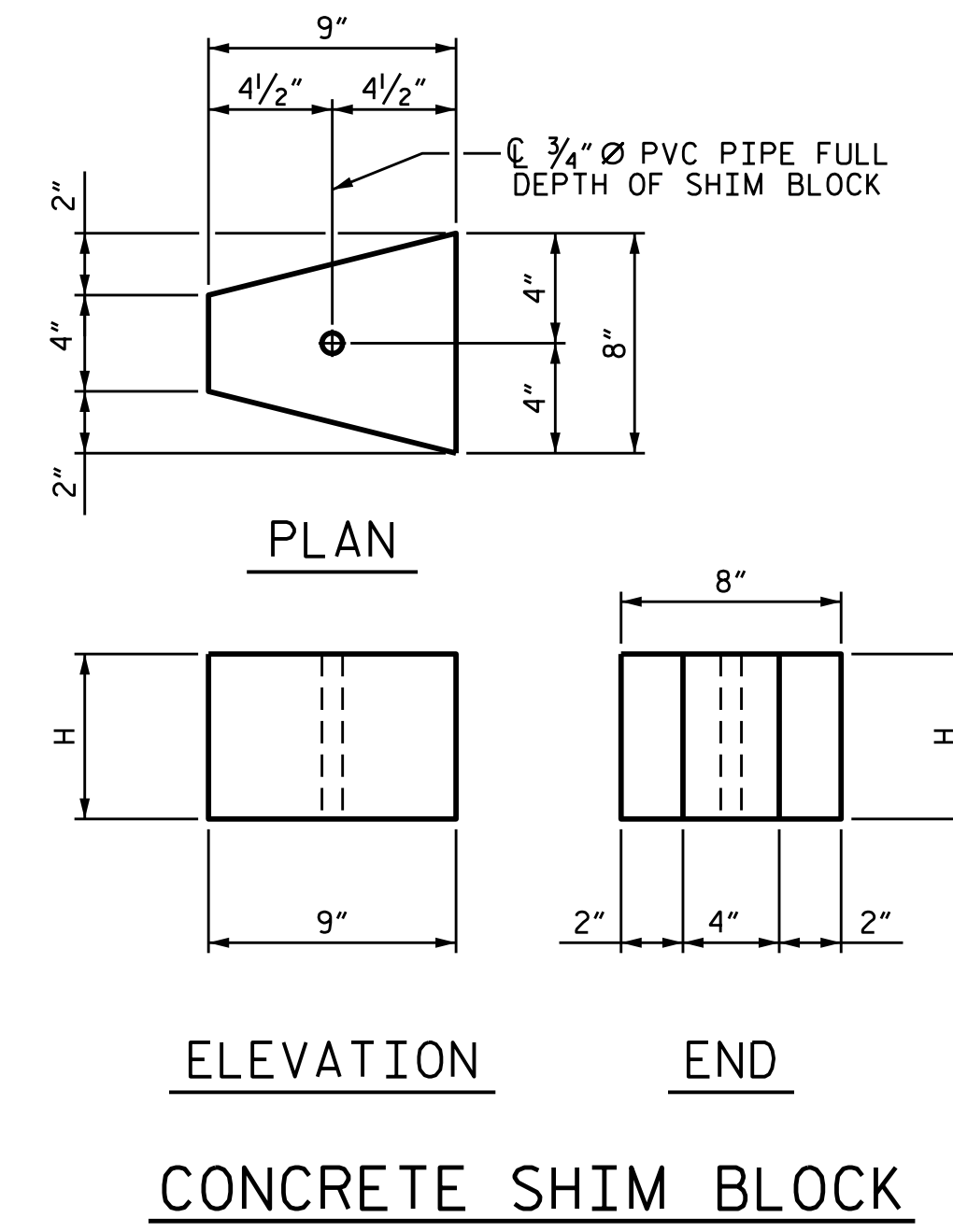
QUANTITIES FOR ONE PRECAST PANEL (FOR 10'-0" PILE SPACING)													
PANEL HEIGHT	CLASS AA CONCRETE	C.Y.	BAR TYPES										
			HORIZONTAL						VERTICAL				
			NO.	BAR SIZE	TYPE	LENGTH	WEIGHT (lb)	NO.	BAR SIZE	TYPE	LENGTH	WEIGHT (lb)	
2'-0"	0.22	3	H1	#4	STR	8'-8"	17	11	V1	#4	STR	1'-8"	12
3'-0"	0.33	4	H2	#4	STR	8'-8"	23	11	V2	#4	STR	2'-8"	20
4'-0"	0.44	5	H3	#4	STR	8'-8"	29	11	V3	#4	STR	3'-8"	27

QUANTITIES FOR ONE PRECAST PANEL (FOR 15'-0" PILE SPACING)													
PANEL HEIGHT	CLASS AA CONCRETE	C.Y.	BAR TYPES										
			HORIZONTAL						VERTICAL				
			NO.	BAR SIZE	TYPE	LENGTH	WEIGHT (lb)	NO.	BAR SIZE	TYPE	LENGTH	WEIGHT (lb)	
3'-0"	0.52	5	H1	#4	STR	13'-8"	46	16	V1	#4	STR	2'-8"	29
4'-0"	0.69	6	H2	#4	STR	13'-8"	55	16	V2	#4	STR	3'-8"	39
5'-0"	0.86	7	H3	#4	STR	13'-8"	64	16	V3	#4	STR	4'-8"	50
6'-0"	1.04	8	H4	#4	STR	13'-8"	73	16	V4	#4	STR	5'-8"	61

ADDITIONAL BARS FOR ONE BOTTOM PANEL

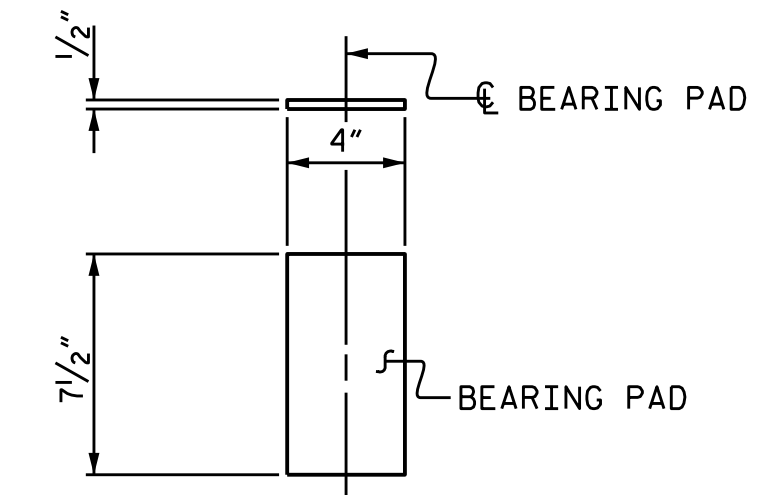
NO.	BAR SIZE	TYPE	LENGTH	WEIGHT (lb)	
4	S1	#5	1	1'-6"	6

BAR TYPE



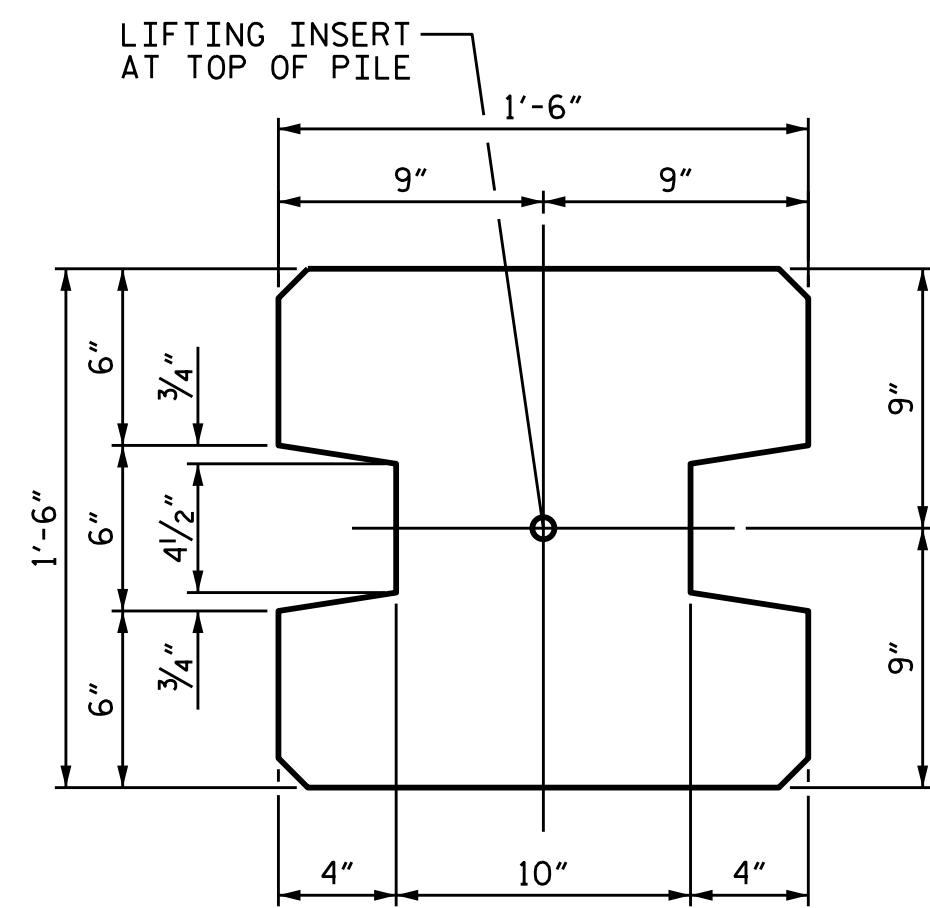
CONCRETE SHIM BLOCK

H = 3', 6" or 1'-0"

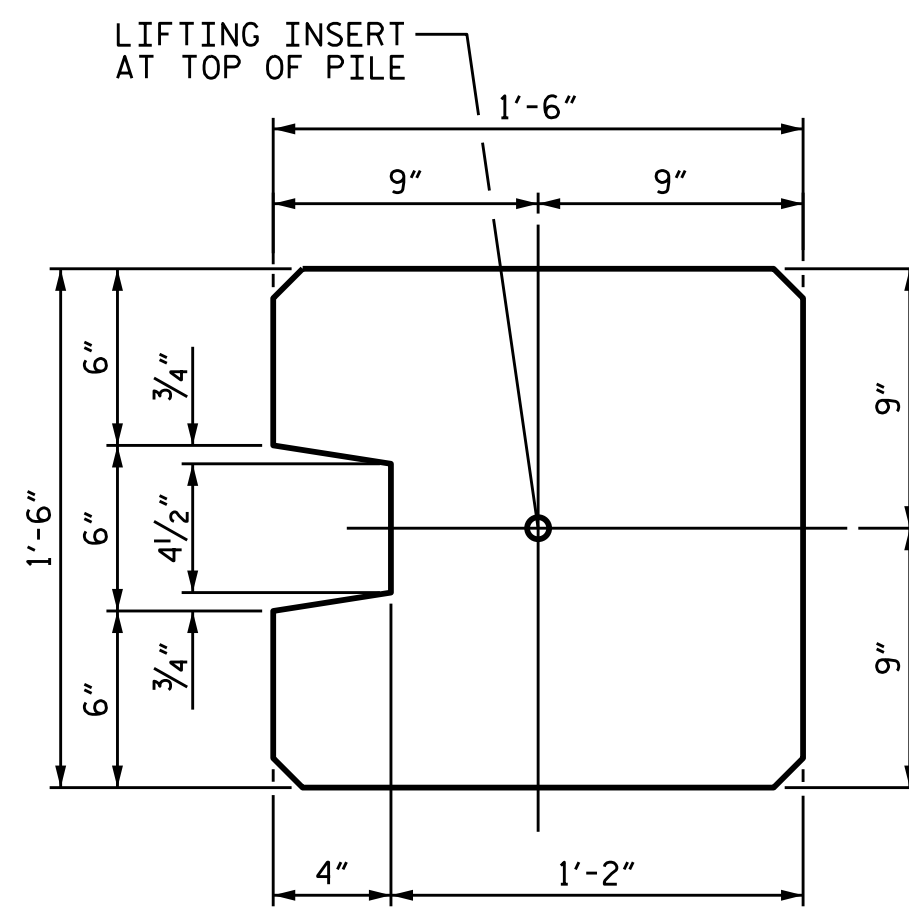


ELASTOMERIC BEARING DETAILS

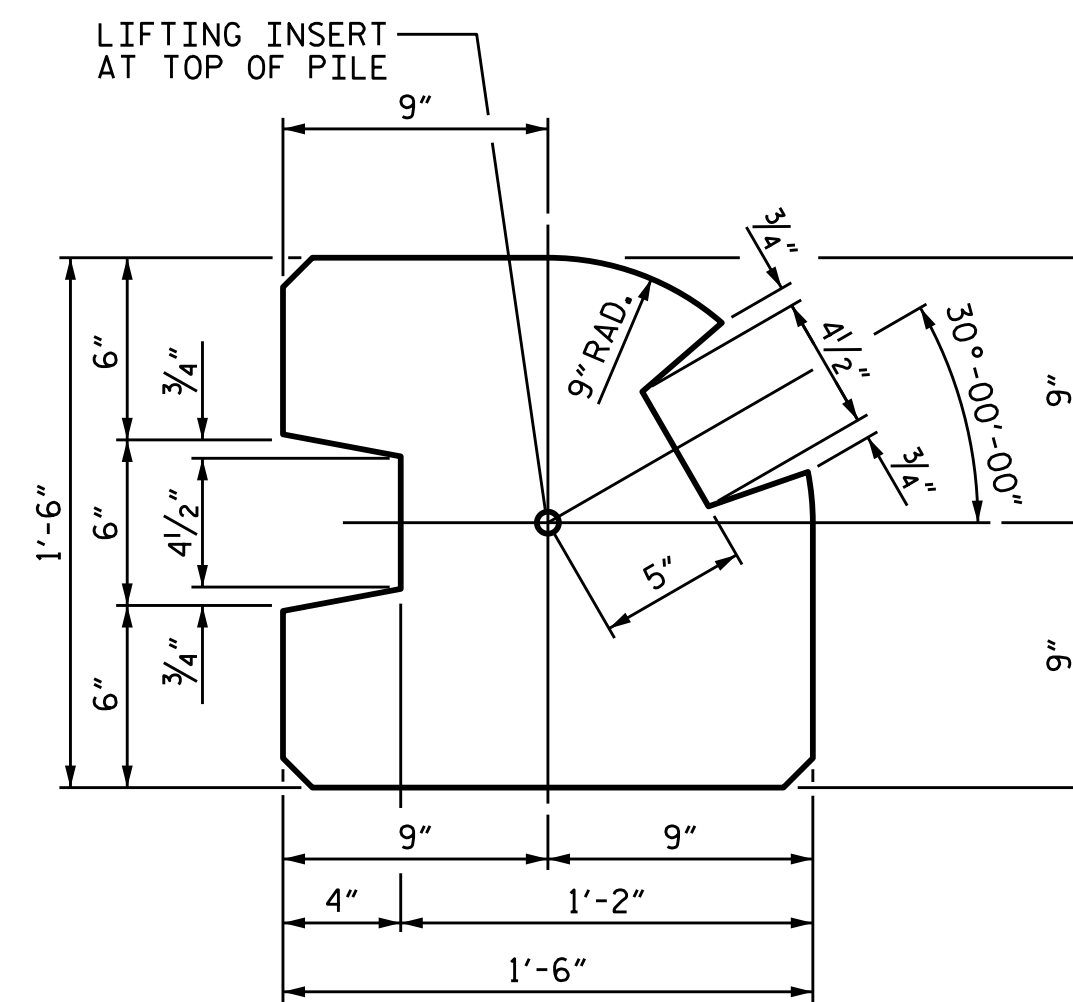
ELASTOMER IN BEARINGS SHALL BE 50 DUROMETER HARDNESS.



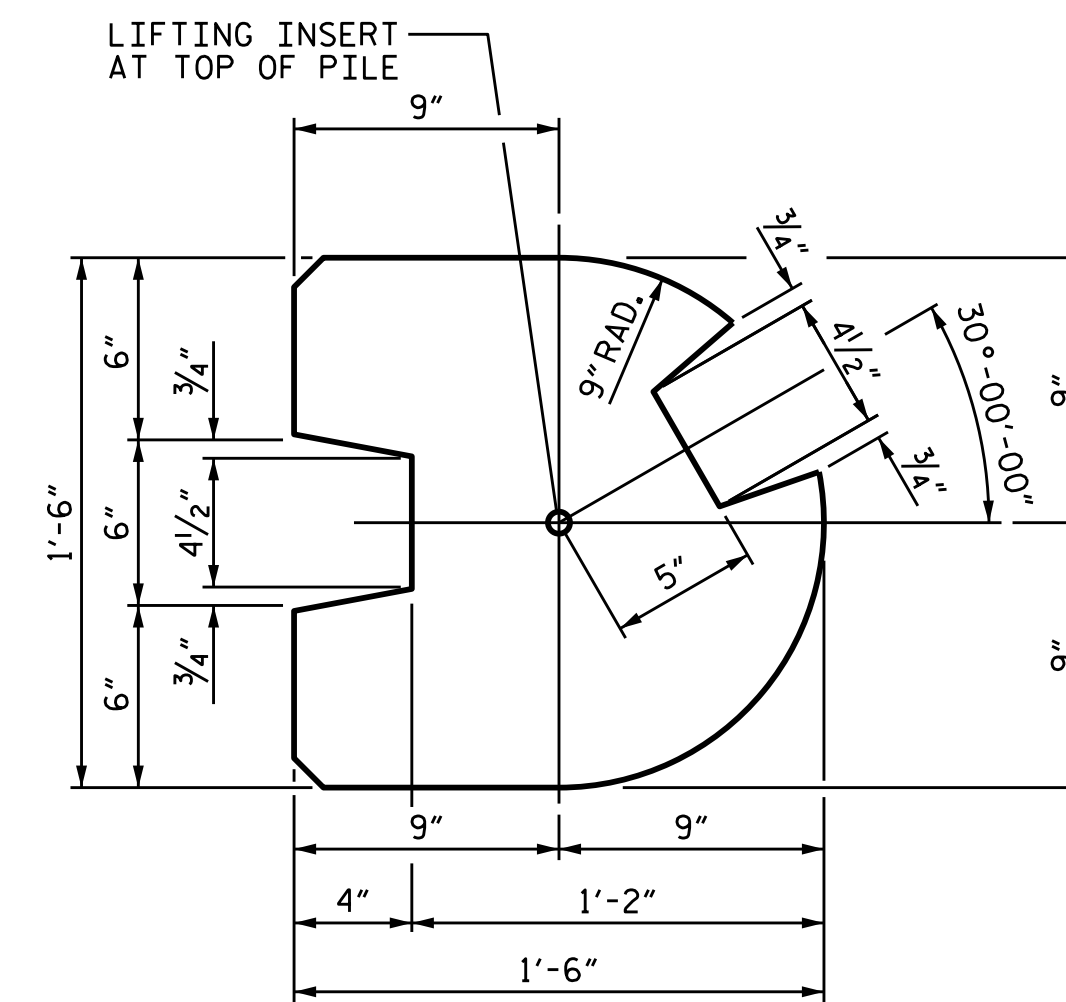
TYPE - I (AREA = 1.9444 SQ. FT.)



TYPE - II (AREA = 2.0903 SQ. FT.)



TYPE - III (AREA = 1.8336 SQ. FT.)

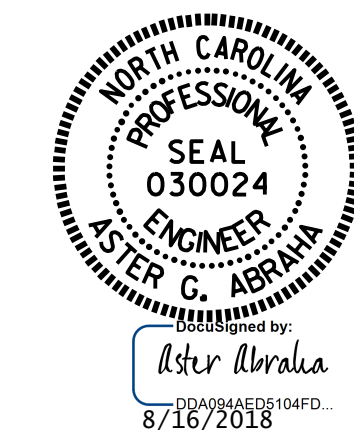


TYPE - III (ALT.) (AREA = 1.7163 SQ. FT.)

PILE DETAIL (ALL CORNERS TO BE CHAMFERED 1")

PROJECT NO. R-3825B
 JOHNSTON COUNTY
 72+09.00 -L-
 82+15.00 -L-
 STATIONS: 102+88.25 -L-

SHEET 4 OF 5



STATE OF NORTH CAROLINA
 DEPARTMENT OF TRANSPORTATION
 RALEIGH

SOUND BARRIER WALL
 DETAILS
 NW2A, NW2, AND NW3

ASSEMBLED BY :	S. WANCE	DATE :	07/2018
CHECKED BY :	M. A. AHMED	DATE :	07/2018
DRAWN BY :	MAA 6/11	REV. 1/15/14	RWW/TMG
CHECKED BY :	GM 6/11	REV. 10/17	MAA/THC
		REV. 5/18	MAA/THC

DOCUMENT NOT CONSIDERED FINAL UNLESS ALL SIGNATURES COMPLETED

REVISIONS						SHEET NO.	
NO.	BY:	DATE:	NO.	BY:	DATE:	NW-4	
1			3			TOTAL SHEETS	
2			4			5	