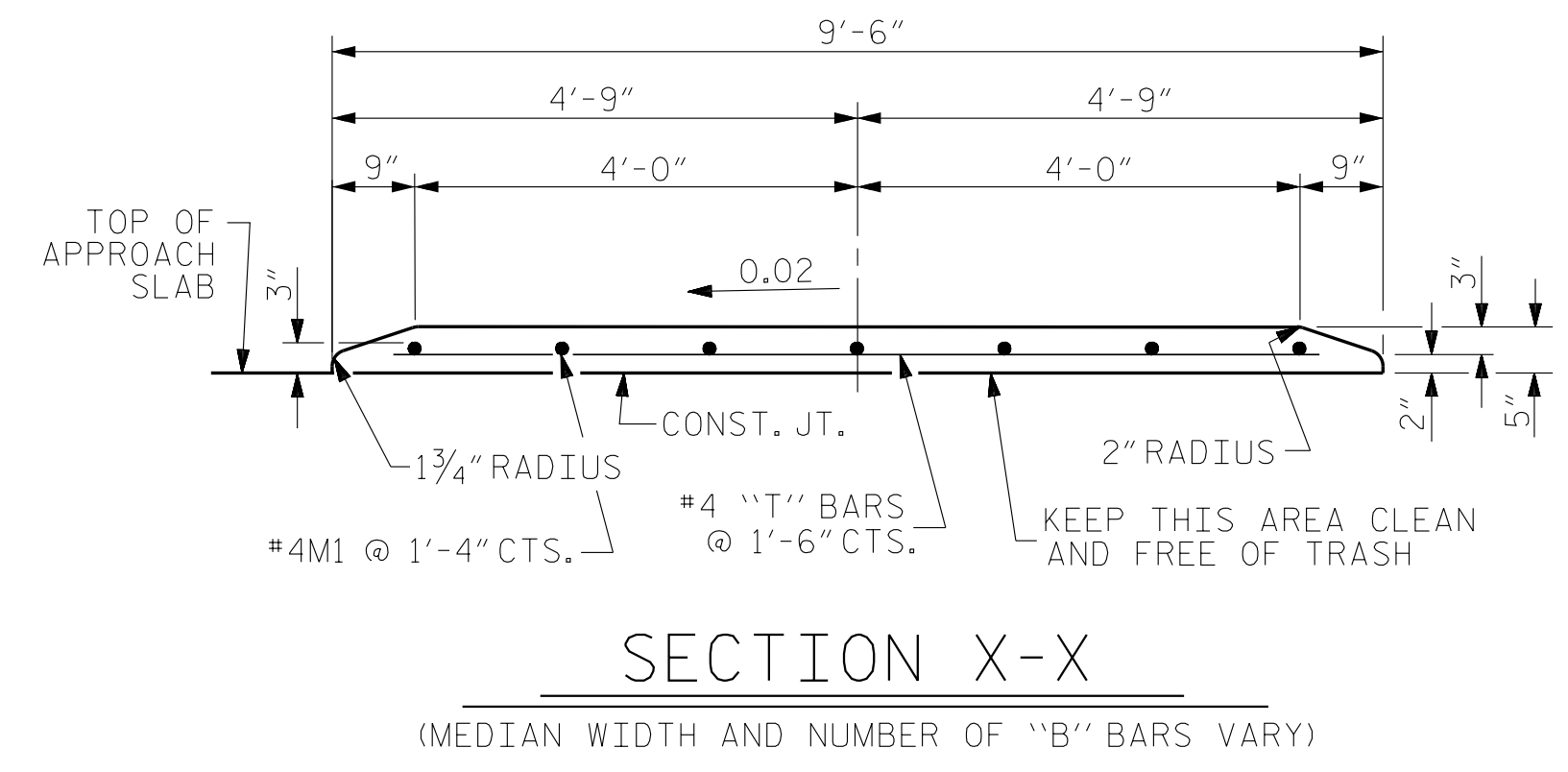
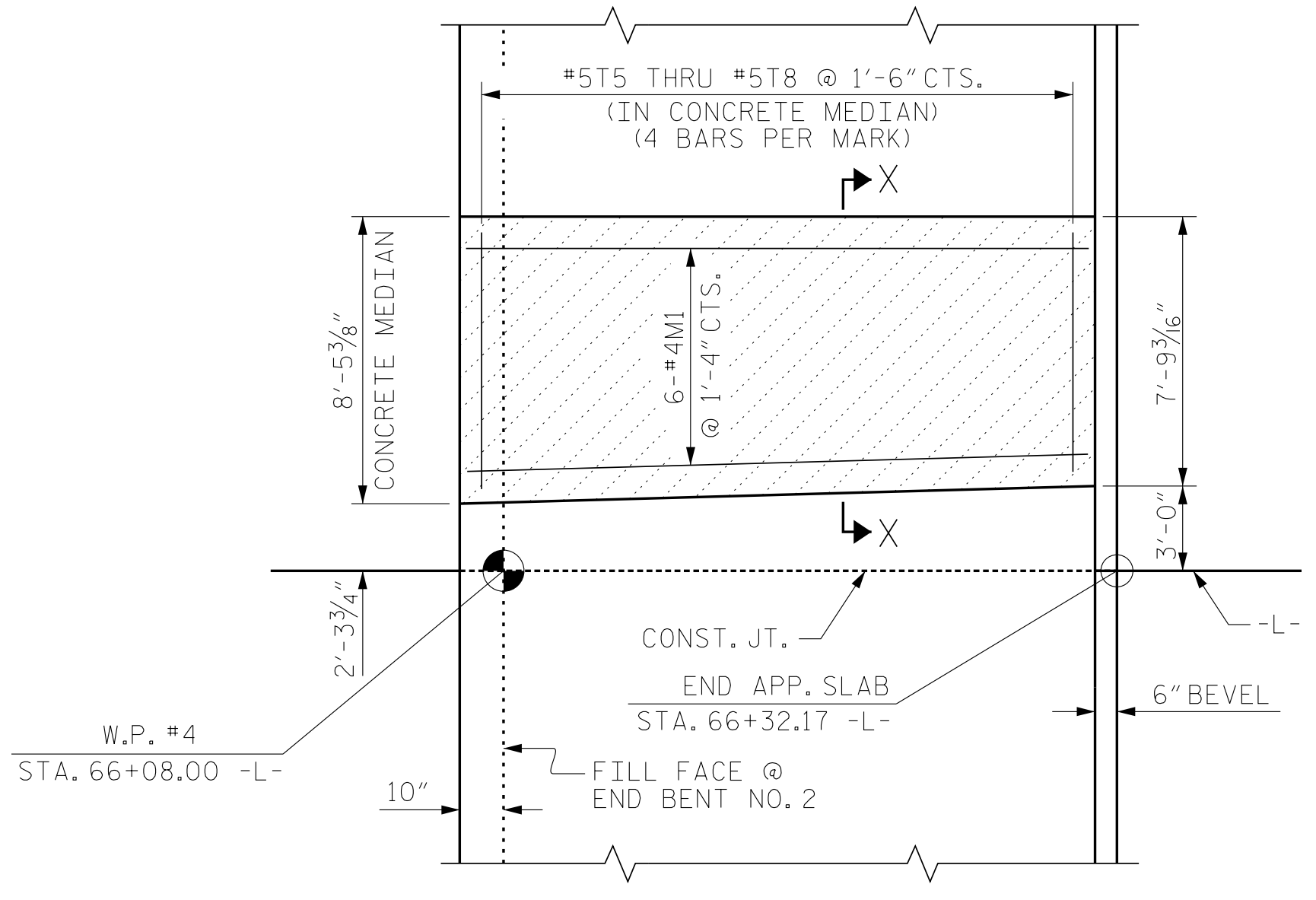


CONCRETE MEDIAN @ END BENT NO. 1



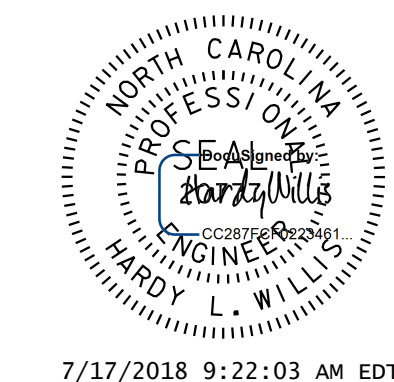
SECTION X-X
(MEDIAN WIDTH AND NUMBER OF "B" BARS VARY)



CONCRETE MEDIAN @ END BENT NO. 2

PROJECT NO. R-3825B
JOHNSTON COUNTY
 STATION: 64+20.00 -L-

SHEET 4 OF 4



DOCUMENT NOT CONSIDERED
 FINAL UNLESS ALL
 SIGNATURES COMPLETED

V&M
 Vaughn & Melton
 Consulting Engineers

Asheville, North Carolina 828-253-2756

Boone, NC 828-355-9933
 Tri-Cities, TN 423-467-8401
 Knoxville, TN 865-546-5800
 Spartanburg, SC 864-574-4775
 Charleston, SC 843-974-5650
 Middlesboro, KY 606-248-5600
 Raleigh, NC 919-977-9455
 Charlotte, NC 704-357-0488
 Atlanta, GA 770-627-3590

Copyright © 2006 Vaughn & Melton, Inc. All Rights Reserved

STATE OF NORTH CAROLINA DEPARTMENT OF TRANSPORTATION RALEIGH		BRIDGE APPROACH SLAB FOR INTEGRAL ABUTMENT			
REVISIONS					
NO.	BY:	DATE:	NO.	BY:	DATE:
1			3		
2			4		
SHEET NO. S-59			TOTAL SHEETS 59		

DWN. BY: WDC DATE: 12/2017
 CHKD. BY: ACO DATE: 12/2017
 DES. EGR. OF RECORD: ACO DATE: 12/2017