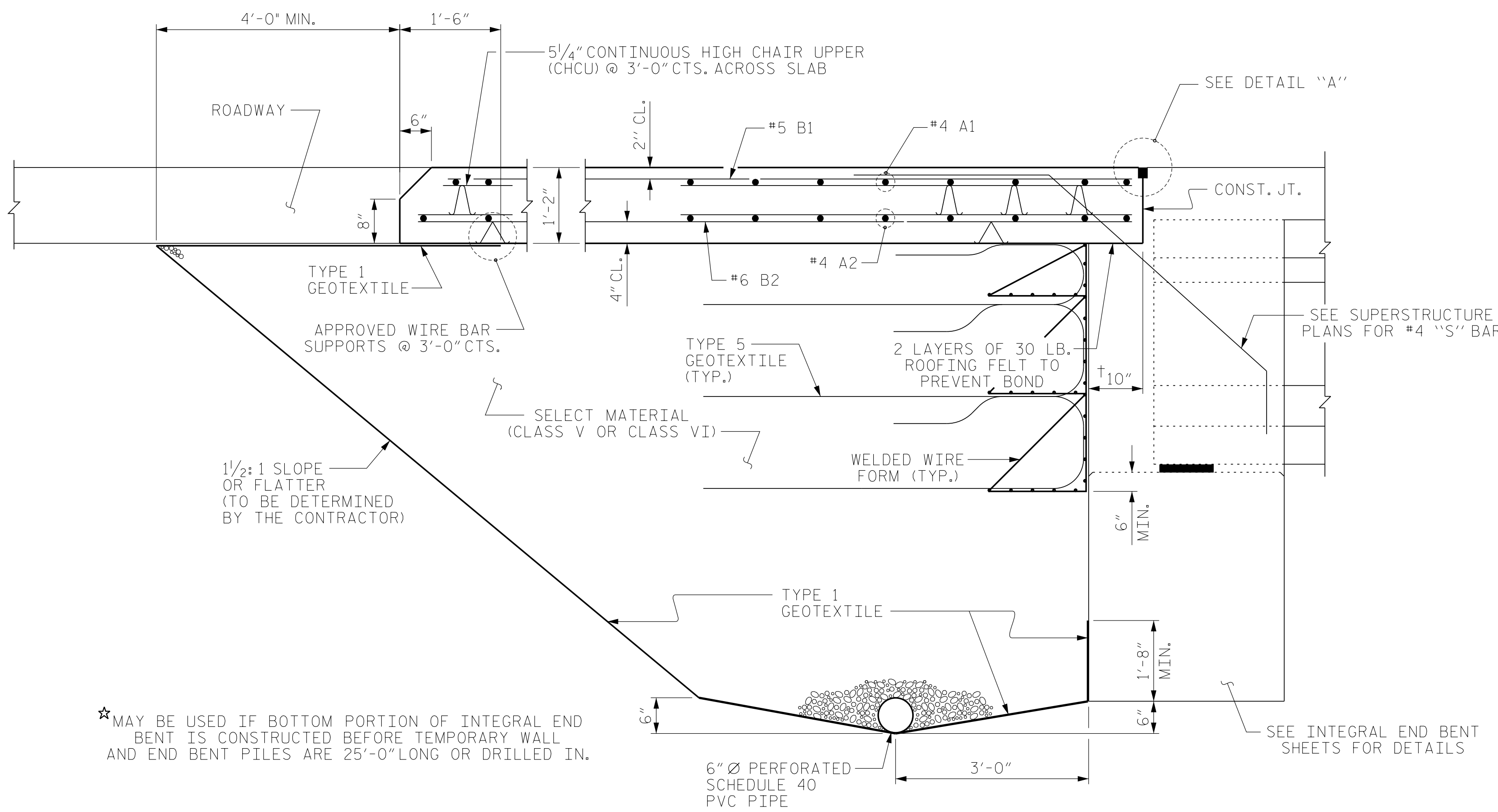


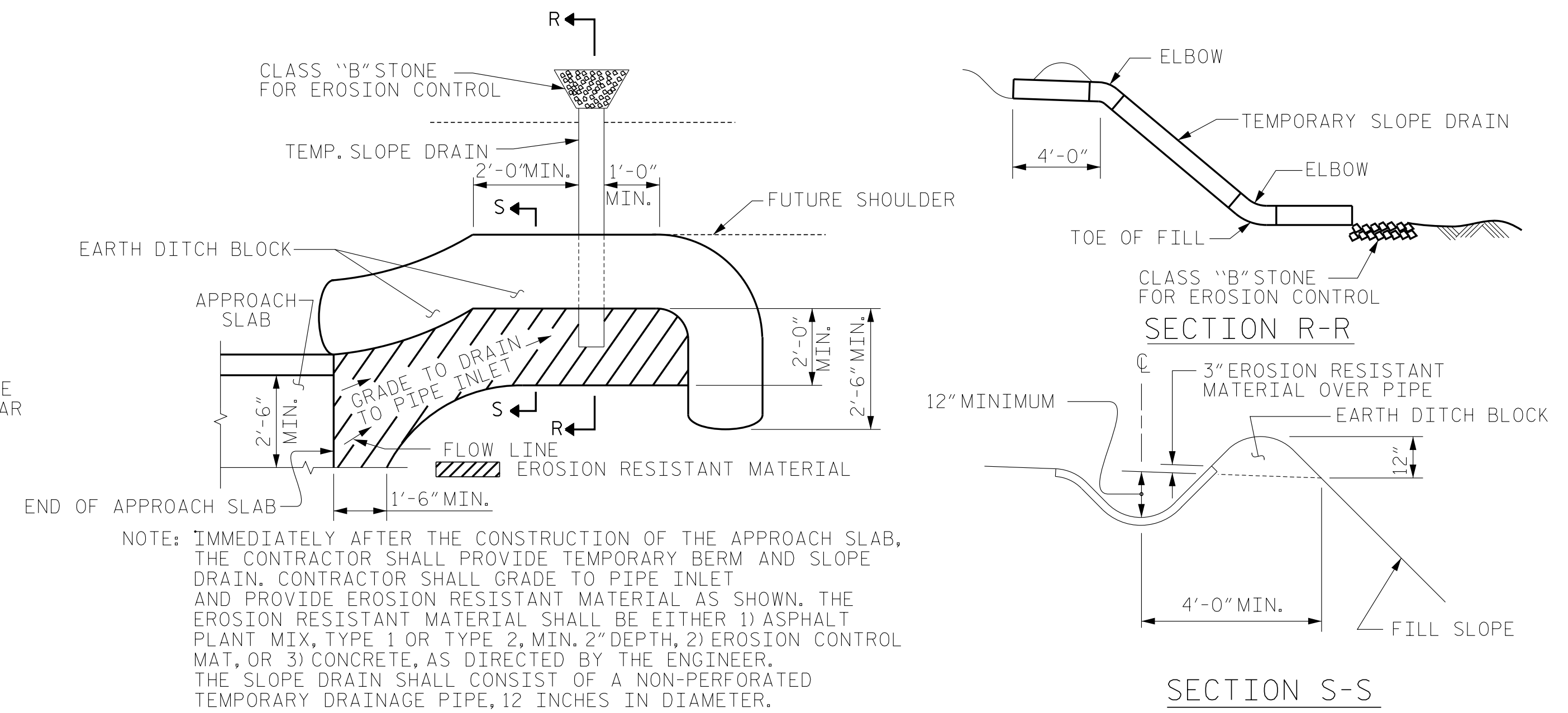
SECTION THRU SLAB

(TYPE A - ALTERNATE APPROACH FILL)



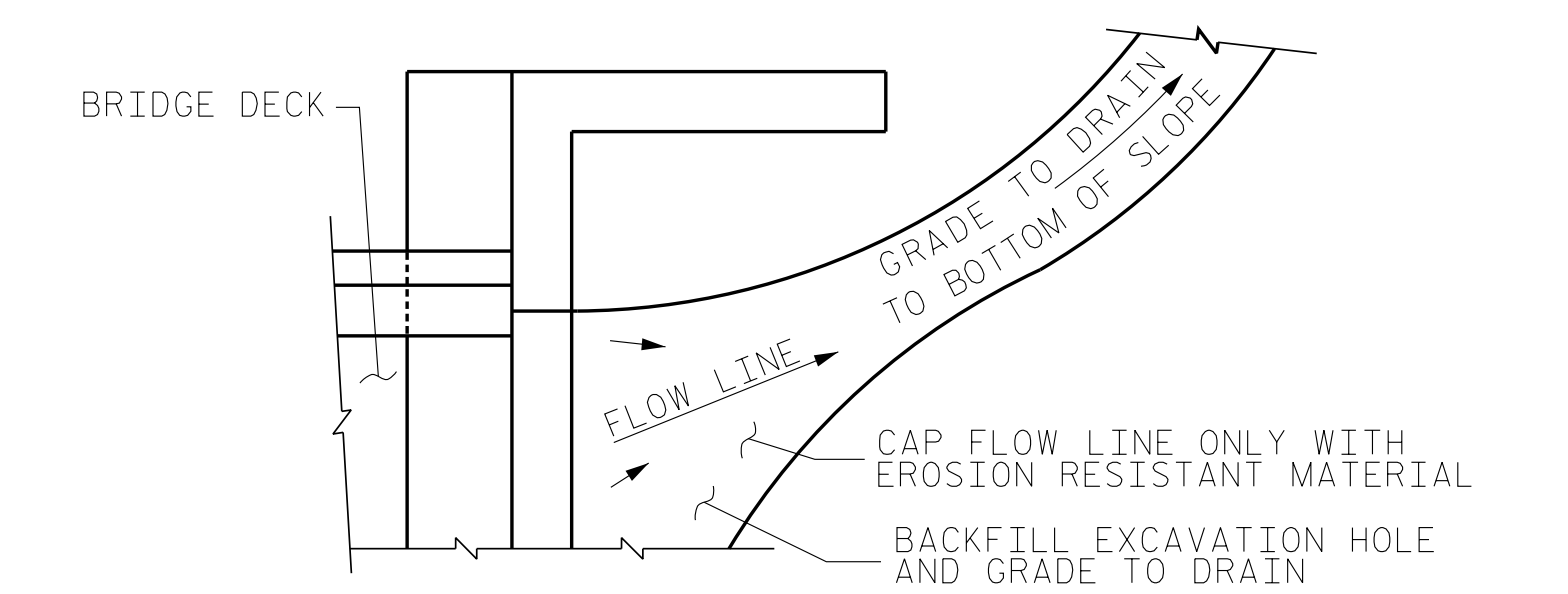
SECTION THRU SLAB

(TYPE A - ALTERNATE APPROACH FILL)



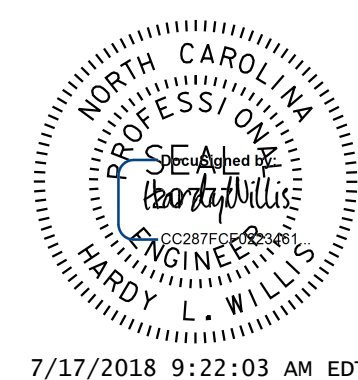
TEMPORARY BERM AND SLOPE DRAIN DETAILS

(TO BE USED WHEN SHOULDER BERM GUTTER IS REQUIRED)



NOTE: IF THE APPROACH SLAB IS NOT CONSTRUCTED IMMEDIATELY AFTER THE BACKFILLING OF THE END BENT EXCAVATION, GRADE TO DRAIN TO THE BOTTOM OF THE SLOPE AND PROVIDE EROSION RESISTANT MATERIAL, SUCH AS FIBERGLASS ROVING OR AS DIRECTED BY THE ENGINEER TO PREVENT SOIL EROSION AND TO PROTECT THE AREA ADJACENT TO THE STRUCTURE. THE CONTRACTOR WILL BE REQUIRED TO REMOVE THESE MATERIALS PRIOR TO CONSTRUCTION OF THE APPROACH SLAB.

TEMPORARY DRAINAGE DETAIL



7/17/2018 9:22:03 AM EDT

V&M
Vaughn & Melton
 Consulting Engineers
 Asheville, North Carolina 828-253-2756
 Raleigh, NC 919-977-9455
 Charlotte, NC 704-357-0488
 Atlanta, GA 770-627-3590
 Boone, NC 828-355-9933
 Tri-Cities, TN 423-467-8400
 Knoxville, TN 865-546-5800
 Spartanburg, SC 864-574-4775
 Charleston, SC 843-974-5650
 Middlesboro, KY 606-248-6600

DOCUMENT NOT CONSIDERED FINAL UNLESS ALL SIGNATURES COMPLETED

PROJECT NO. R-3825B
JOHNSTON COUNTY
 STATION: 64+20.00 -L-

SHEET 3 OF 4

STATE OF NORTH CAROLINA DEPARTMENT OF TRANSPORTATION RALEIGH						SHEET NO. S-58
STANDARD BRIDGE APPROACH SLAB DETAILS						
REVISIONS						TOTAL SHEETS 59
NO.	BY:	DATE:	NO.	BY:	DATE:	
1			3			
2			4			

ASSEMBLED BY : WDC	DATE : 12-2017
CHECKED BY : AGO	DATE : 12/2017
DRAWN BY : TLA 10/05	REV. 12/21/11 MAA/GM
CHECKED BY : GM 5/06	REV. 6/13 MAA/GM
	REV. 12/17 MAA/THC