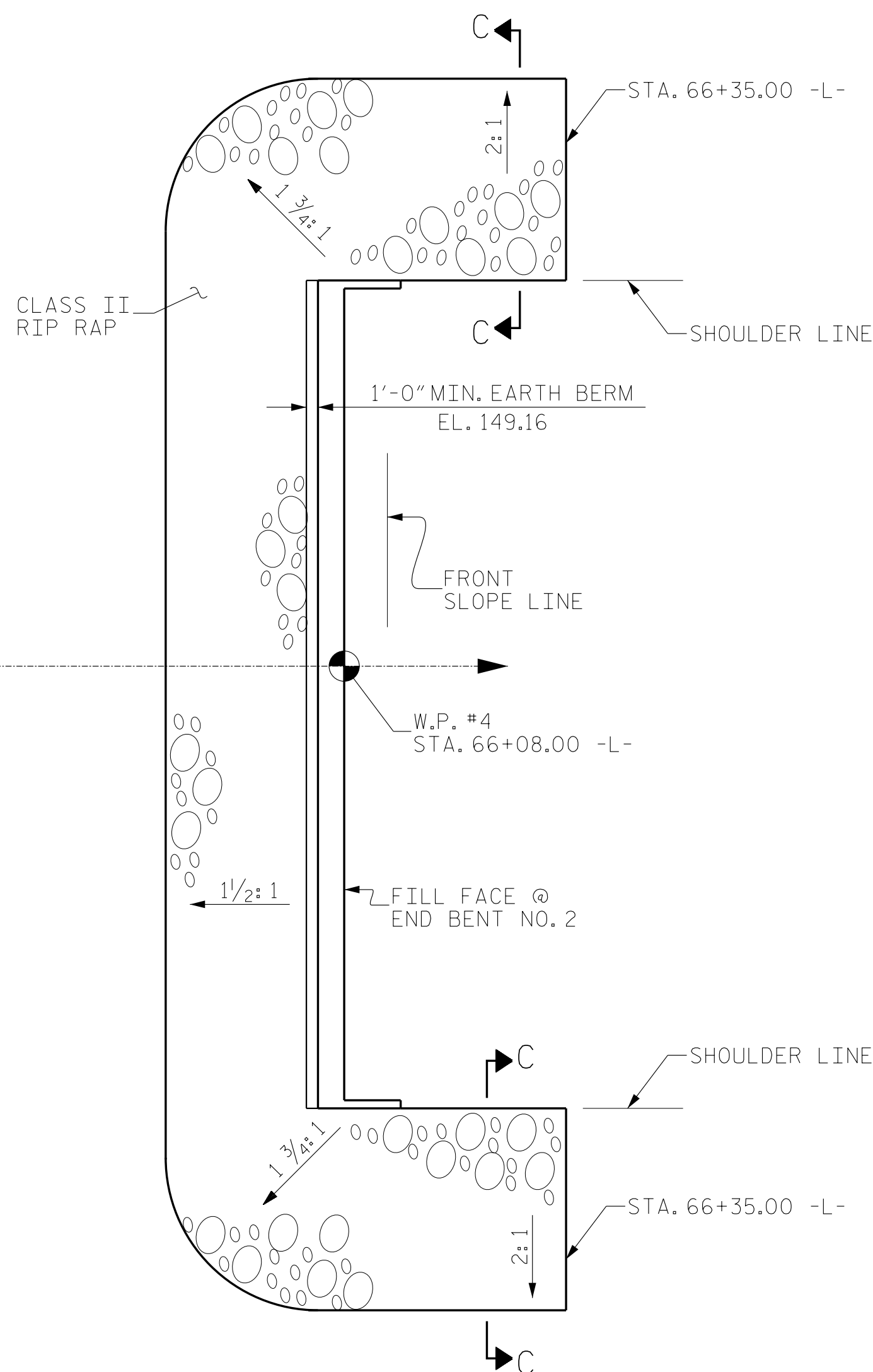
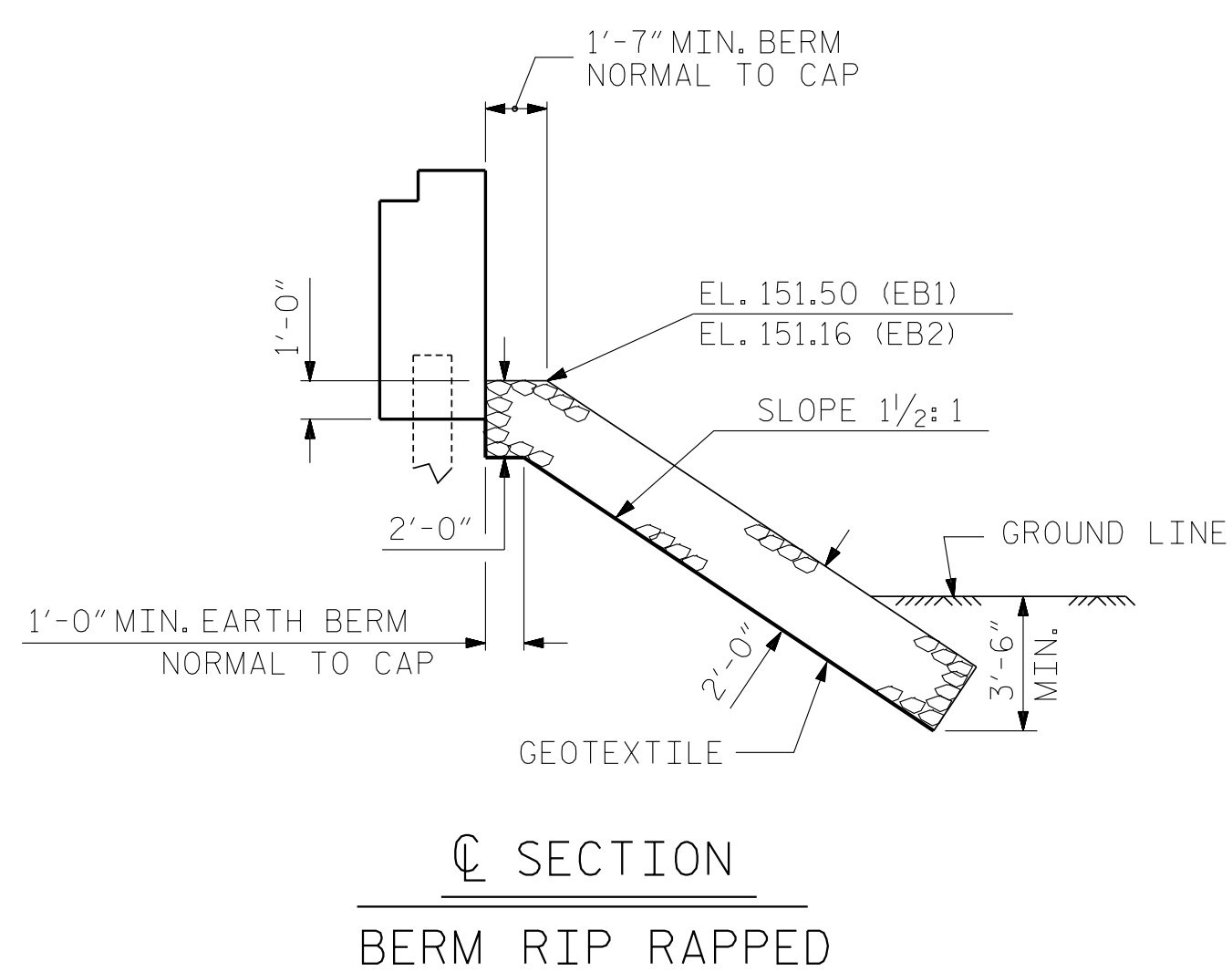


PLAN @ END BENT NO. 1

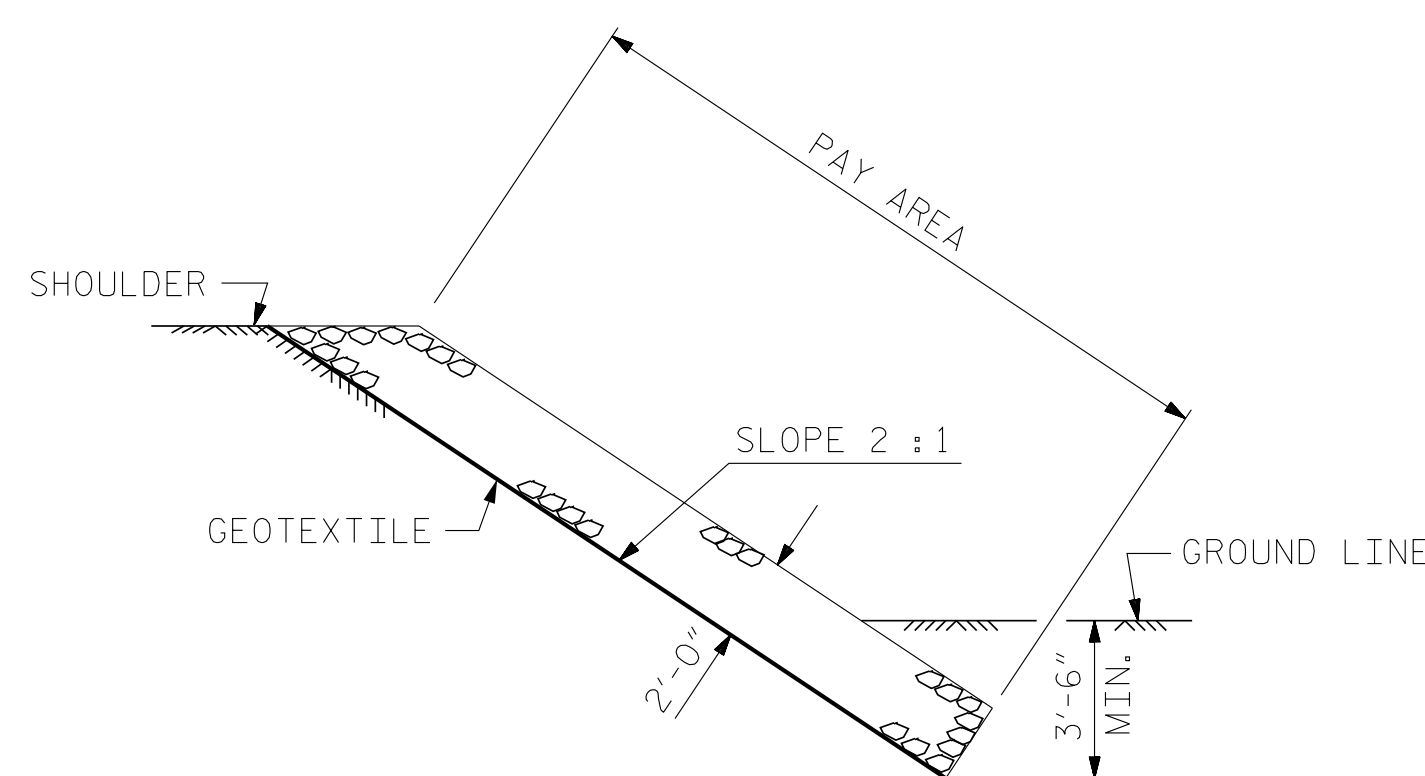


PLAN @ END BENT NO. 2

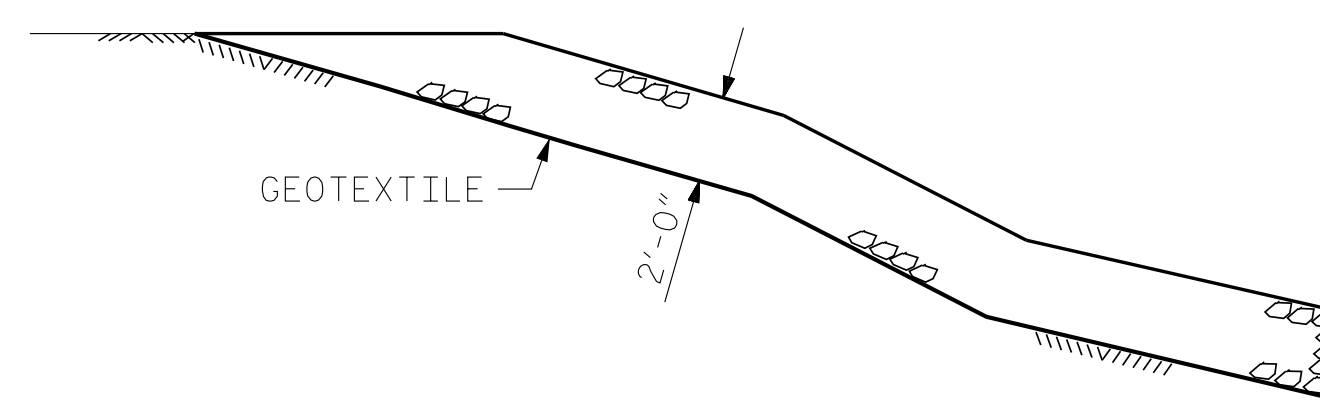
ESTIMATED QUANTITIES		
BRIDGE @ STA. 64+20.00 -L-	RIP RAP CLASS II (2'-0\"/>	
	TONS	SQUARE YARDS
END BENT 1	390	435
BANK STABILIZATION	323	359
END BENT 2	320	355
TOTAL	1033	1149



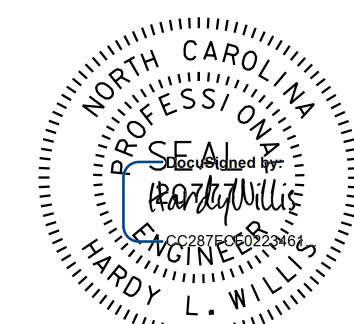
SECTION BERM RIP RAPPED



SECTION C-C



SECTION D-D



7/17/2018 9:22:03 AM EDT

DOCUMENT NOT CONSIDERED FINAL UNLESS ALL SIGNATURES COMPLETED

V&M
Vaughn & Melton
 Consulting Engineers

Asheville, North Carolina
 828-253-2796

Boone, NC 828-355-9933
 Tri-Cities, TN 423-467-8401
 Knoxville, TN 865-546-5800
 Spartanburg, SC 864-574-4775
 Charleston, SC 843-974-5650
 Middlesboro, KY 606-248-6600
 Raleigh, NC 919-977-9455
 Charlotte, NC 704-357-0488
 Atlanta, GA 770-627-3590

Copyright © 2006 Vaughn & Melton, Inc. All Rights Reserved

PROJECT NO. R-3825B
JOHNSTON COUNTY
 STATION: 64+20.00 -L-

STATE OF NORTH CAROLINA
 DEPARTMENT OF TRANSPORTATION
 RALEIGH

RIP RAP DETAILS

DWN. BY: WDC	DATE: 4/2017	REVISIONS				SHEET NO. S-55
CHKD. BY: ACO	DATE: 12/2017	NO.	BY:	DATE:	TOTAL SHEETS	
DES. EGR. OF RECORD: ACO	DATE: 12/2017	1		3	59	
		2		4		