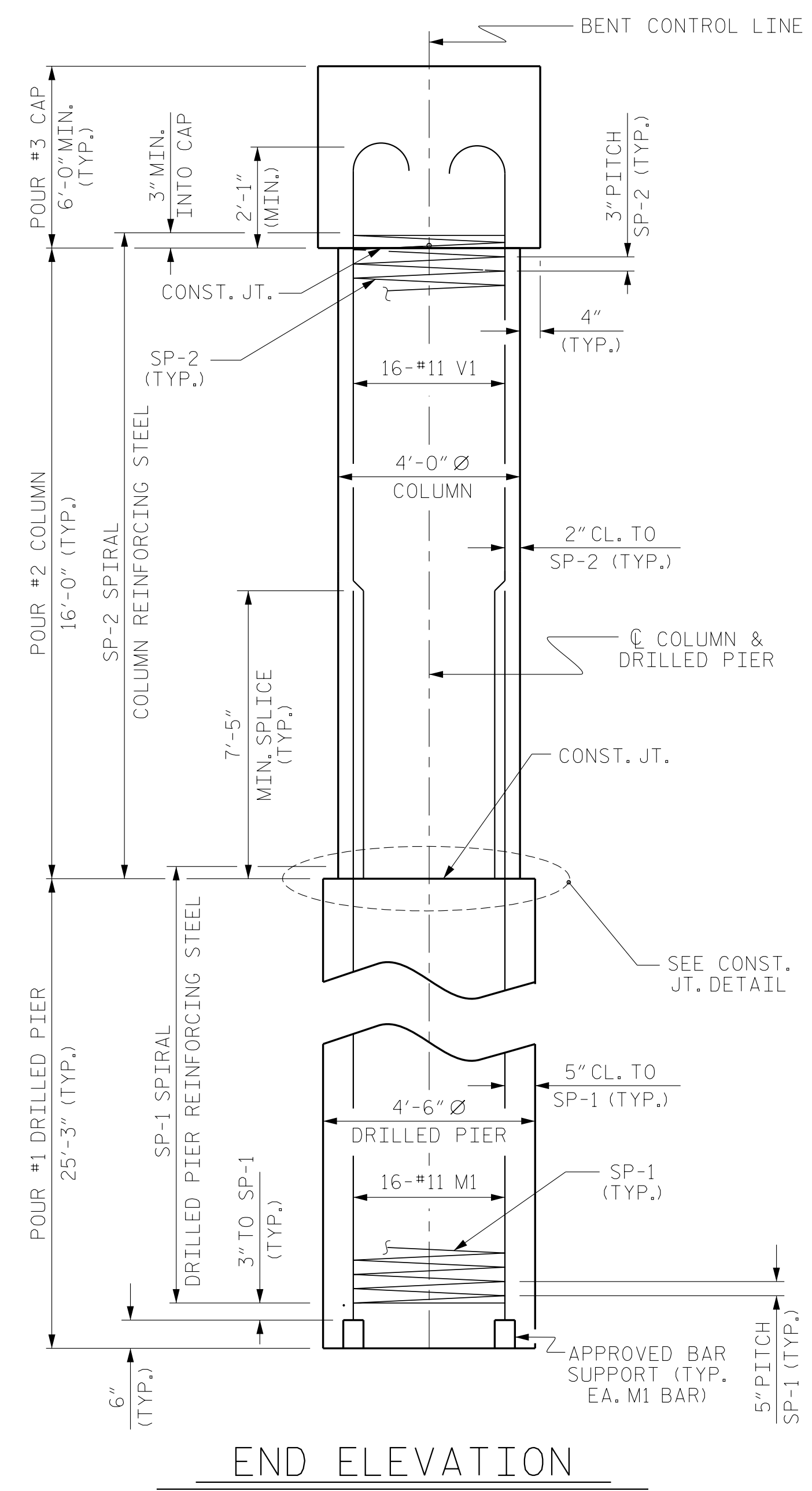
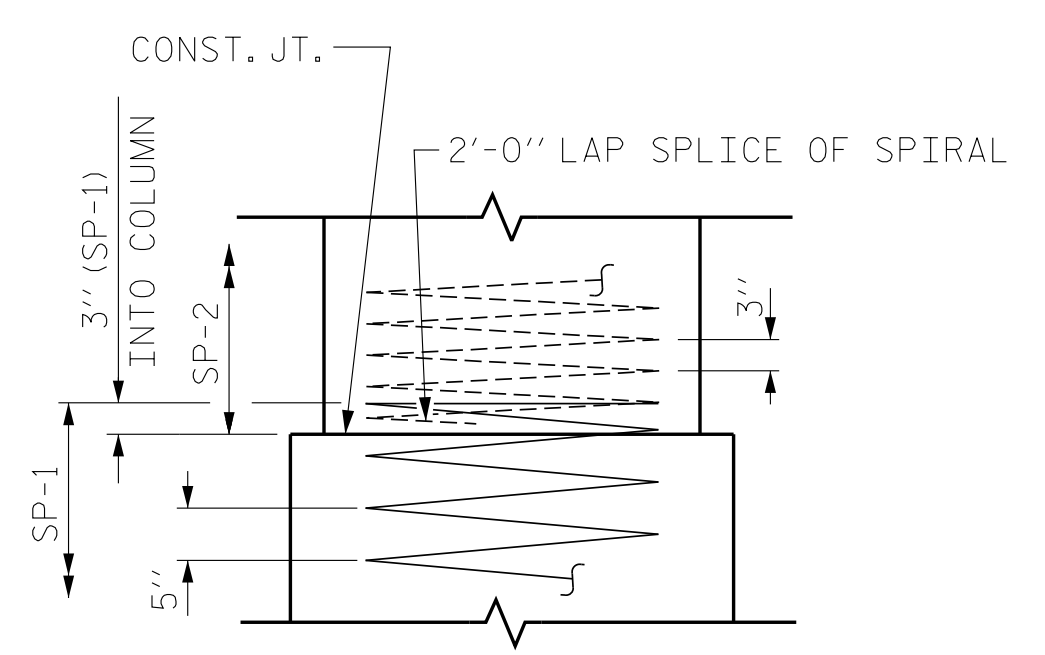


PLAN OF DRILLED PIERS AND COLUMNS

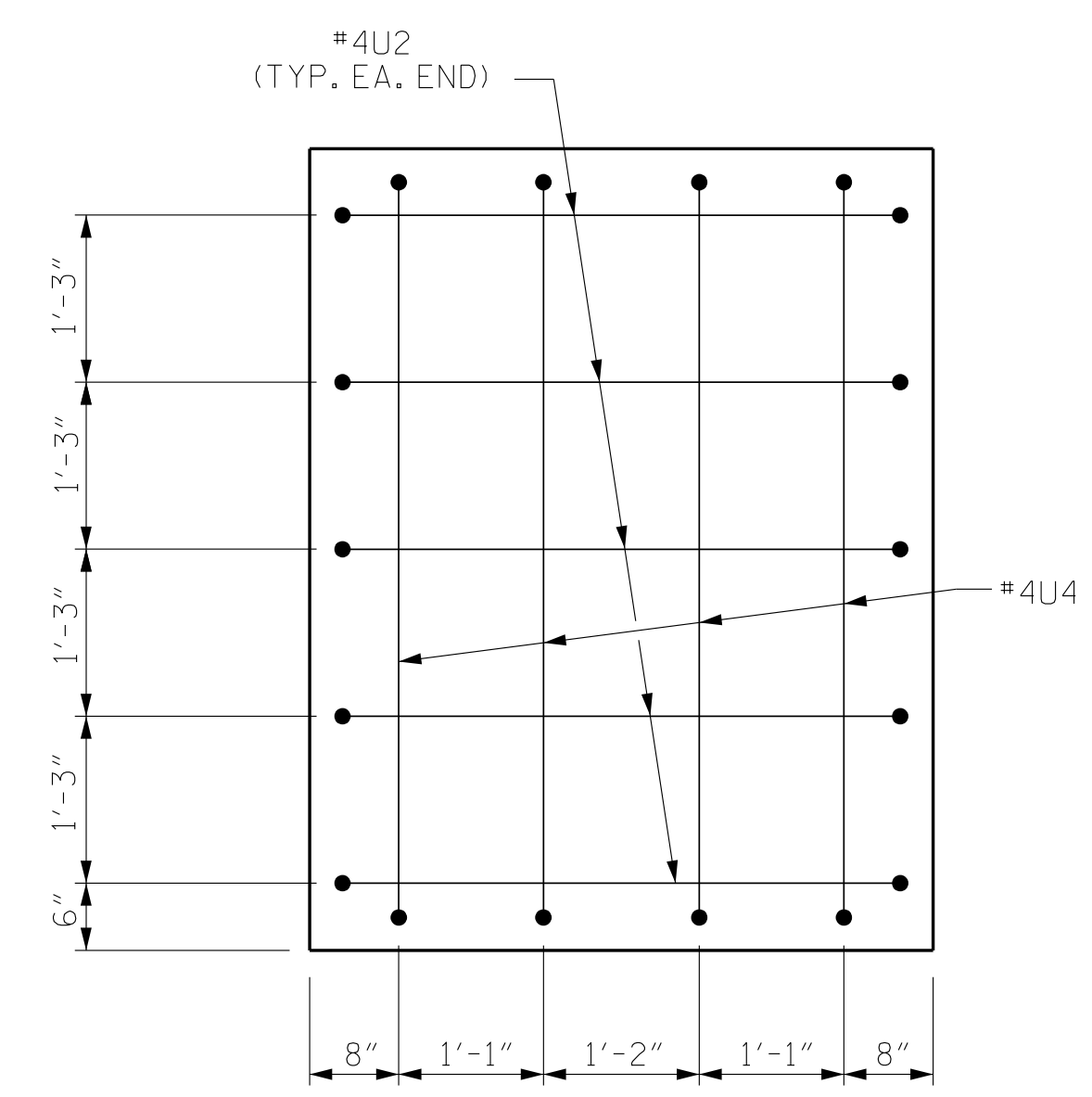
(INFORMATION SHOWN IS TYPICAL FOR EACH COLUMN AND DRILLED PIER)



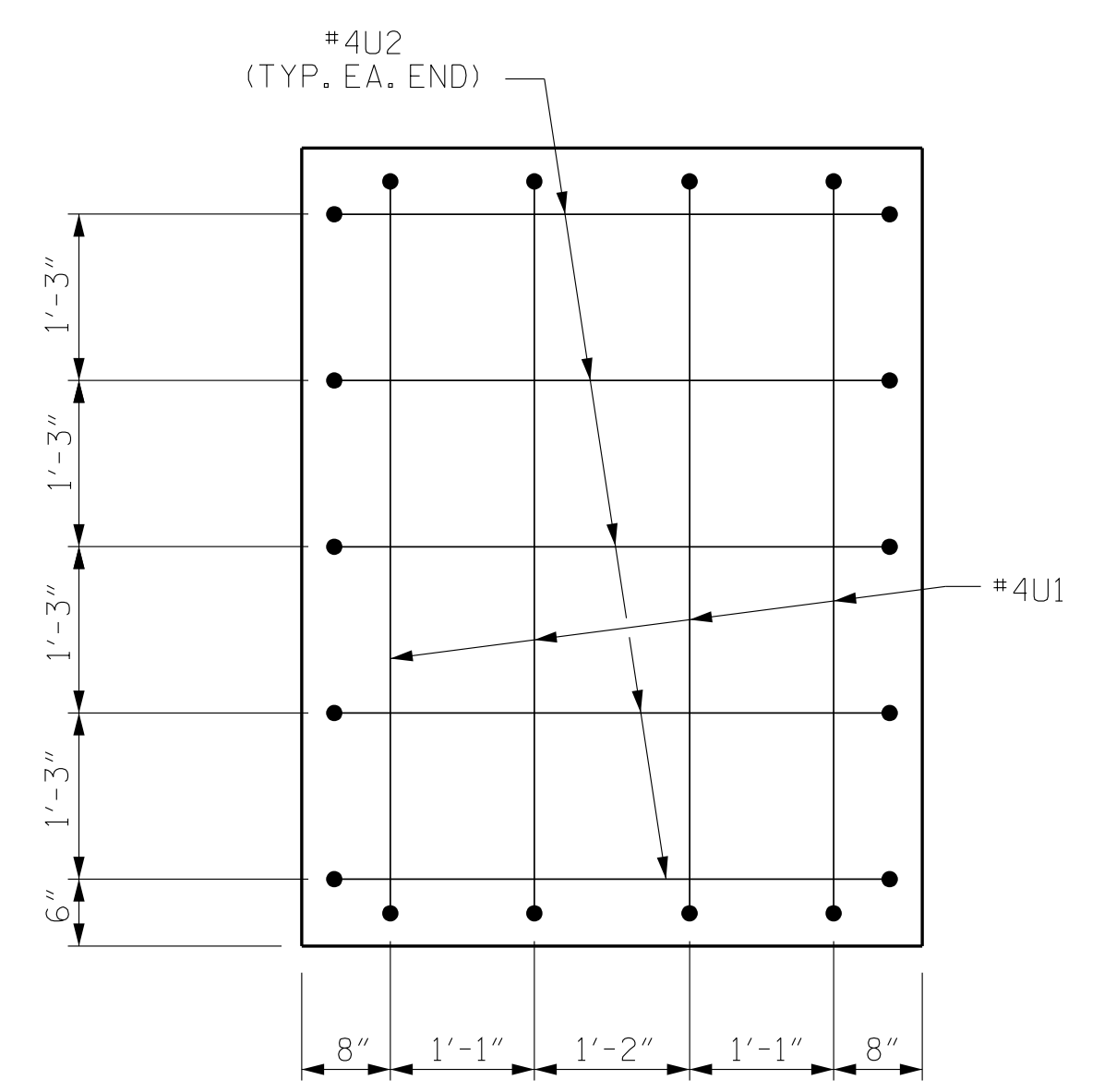
END ELEVATION



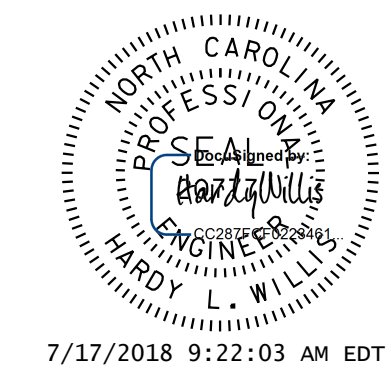
CONSTRUCTION JOINT DETAIL



VIEW Y-Y
(LEFT END - STAGE II)



VIEW X-X
(RIGHT END - STAGE I)



7/17/2018 9:22:03 AM EDT

DOCUMENT NOT CONSIDERED FINAL UNLESS ALL SIGNATURES COMPLETED

V&M
Vaughn & Melton
Consulting Engineers

Asheville, North Carolina
828-253-2196

Boone, NC 828-355-9933
Tri-Cities, TN 423-467-8401
Knoxville, TN 865-546-5800
Spartanburg, SC 864-574-4775
Charleston, SC 843-974-5650
Middlesboro, KY 606-248-6600
Raleigh, NC 919-977-9455
Charlotte, NC 704-357-0488
Atlanta, GA 770-627-3590

Copyright © 2006 Vaughn & Melton, Inc. All Rights Reserved

PROJECT NO. R-3825B
JOHNSTON COUNTY
STATION: 64+20.00 -L-

SHEET 3 OF 4

STATE OF NORTH CAROLINA
DEPARTMENT OF TRANSPORTATION
RALEIGH

SUBSTRUCTURE
BENT 2 DETAILS

REVISIONS					
NO.	BY:	DATE:	NO.	BY:	DATE:
1			3		
2			4		

SHEET NO. S-49
TOTAL SHEETS 59

DWN. BY: WDC DATE: 7/2017
CHKD. BY: ACO DATE: 12/2017
DES. EGR. OF RECORD: ACO DATE: 12/2017