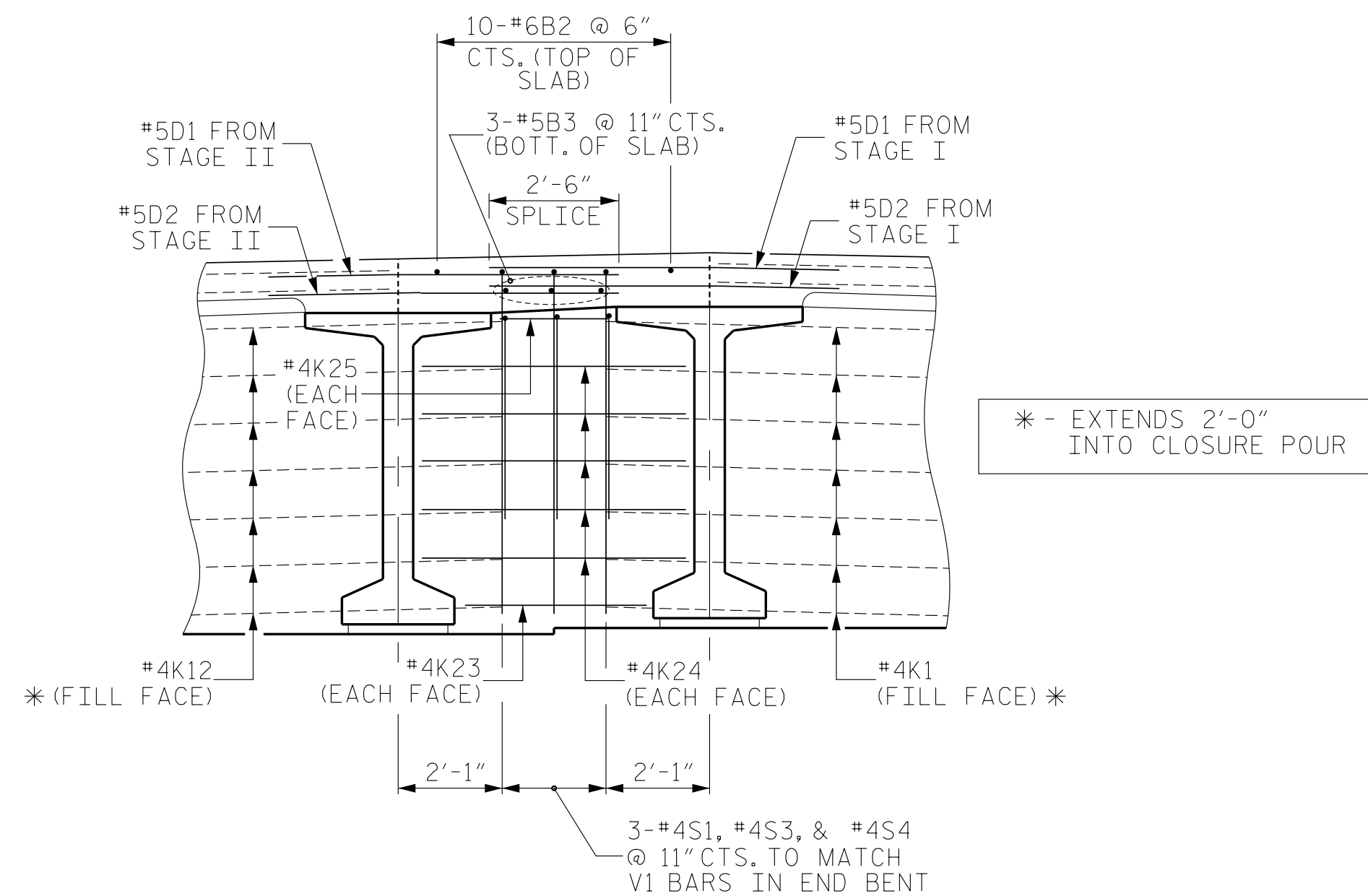
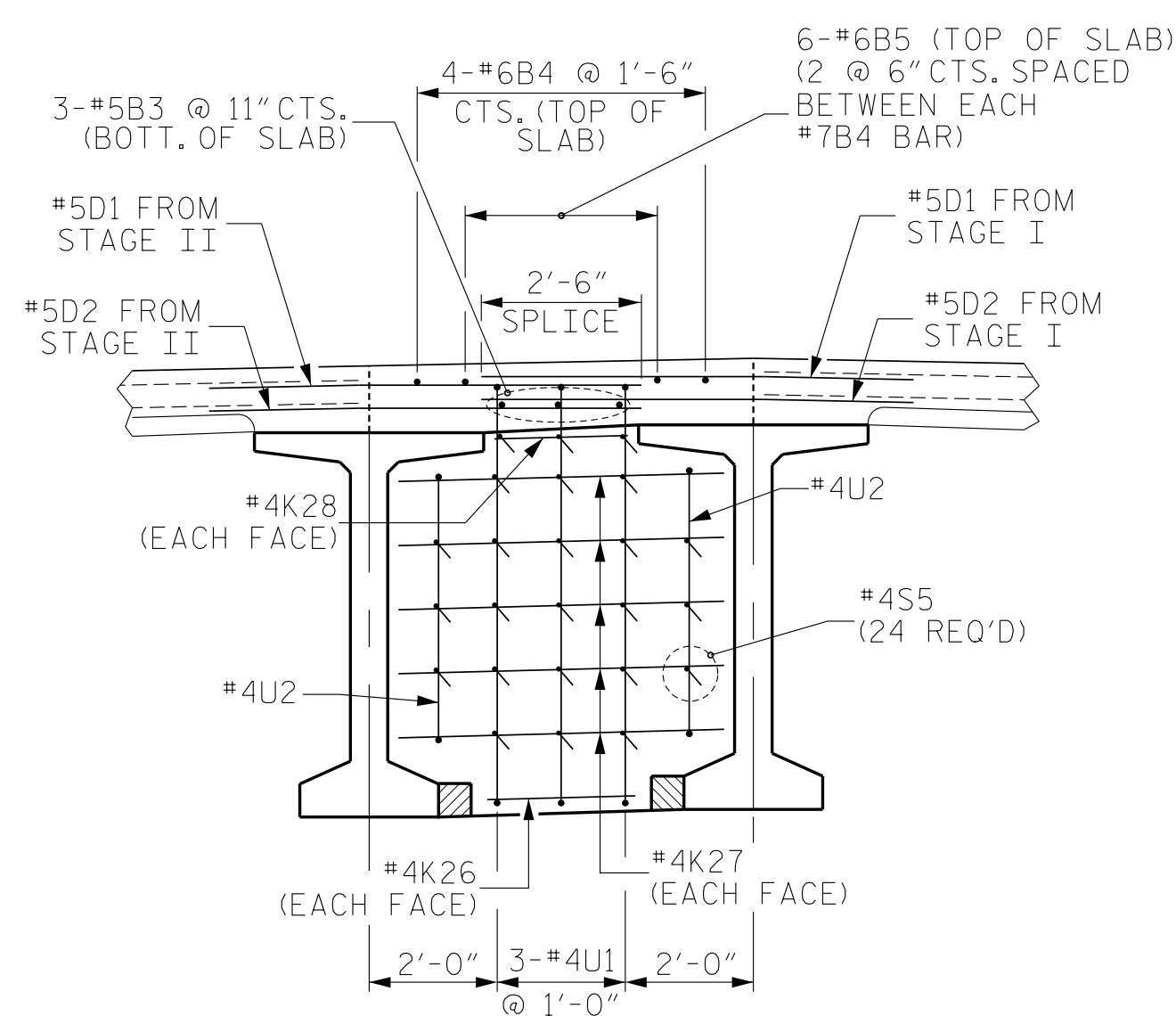


BENT DIAPHRAGM BLOCKOUT DETAIL



CLOSURE POUR DETAIL @ INTEGRAL END BENT



CLOSURE POUR DETAIL @ BENT DIAPHRAGM

V&M
Vaughn & Melton
 Consulting Engineers
 Asheville, North Carolina
 828-253-2796

Boone, NC 828-355-9933
 Tri-Cities, TN 423-467-8401
 Knoxville, TN 865-546-5800
 Spartanburg, SC 864-574-4775
 Charleston, SC 843-974-5650
 Middlesboro, KY 606-248-6600
 Raleigh, NC 919-977-9455
 Charlotte, NC 704-357-0488
 Atlanta, GA 770-627-3590

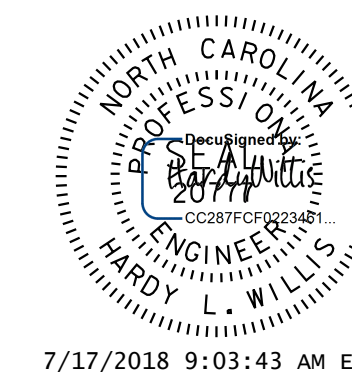
Copyright © 2006 Vaughn & Melton, Inc. All Rights Reserved

PROJECT NO. R-3825B
JOHNSTON COUNTY
 STATION: 64+20.00 -L-

SHEET 3 OF 4

STATE OF NORTH CAROLINA
 DEPARTMENT OF TRANSPORTATION
 RALEIGH

SUPERSTRUCTURE
 TYPICAL SECTION
 (STAGE I & II)



DRAWN BY: WDC DATE: 5/2017
 CHECKED BY: ACO DATE: 12/2017
 DESIGN ENGINEER OF RECORD: ACO DATE: 12/2017

DOCUMENT NOT CONSIDERED
 FINAL UNLESS ALL
 SIGNATURES COMPLETED

REVISIONS						SHEET NO.
NO.	BY:	DATE:	NO.	BY:	DATE:	S-10
1			3			TOTAL SHEETS
2			4			59