

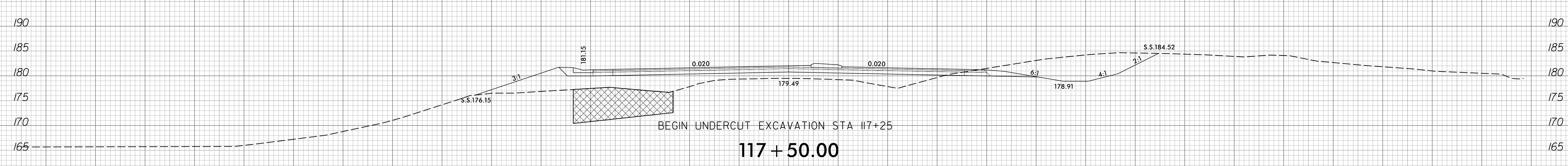
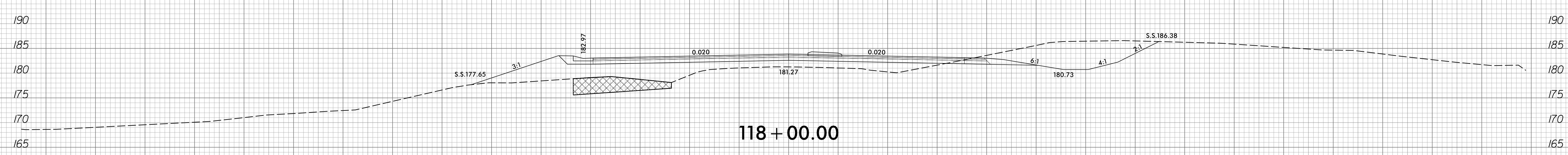
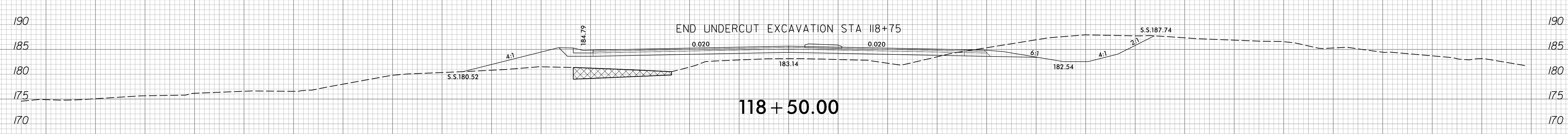
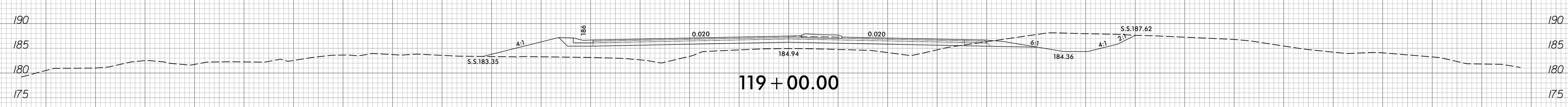
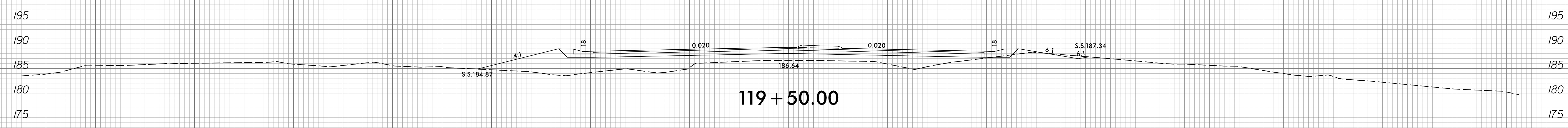
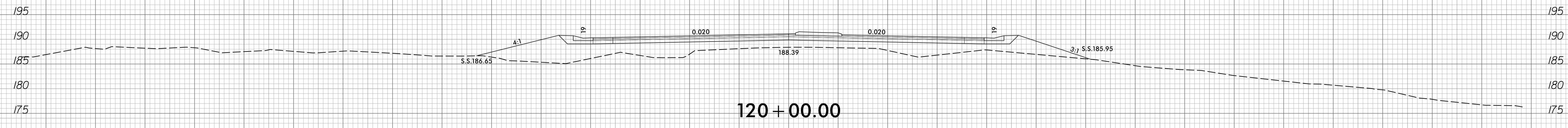
8/23/99



PROJ. REFERENCE NO.
R-3825B

SHEET NO.
X-41

150 140 130 120 110 100 90 80 70 60 50 40 30 20 10 0 10 20 30 40 50 60 70 80 90 100 110 120 130 140 150



150 140 130 120 110 100 90 80 70 60 50 40 30 20 10 0 10 20 30 40 50 60 70 80 90 100 110 120 130 140 150

8/9/2016
R:\V\proj\asc\XPL\F3825B_rdy_xpl_1.dgn
Trovshpep

