

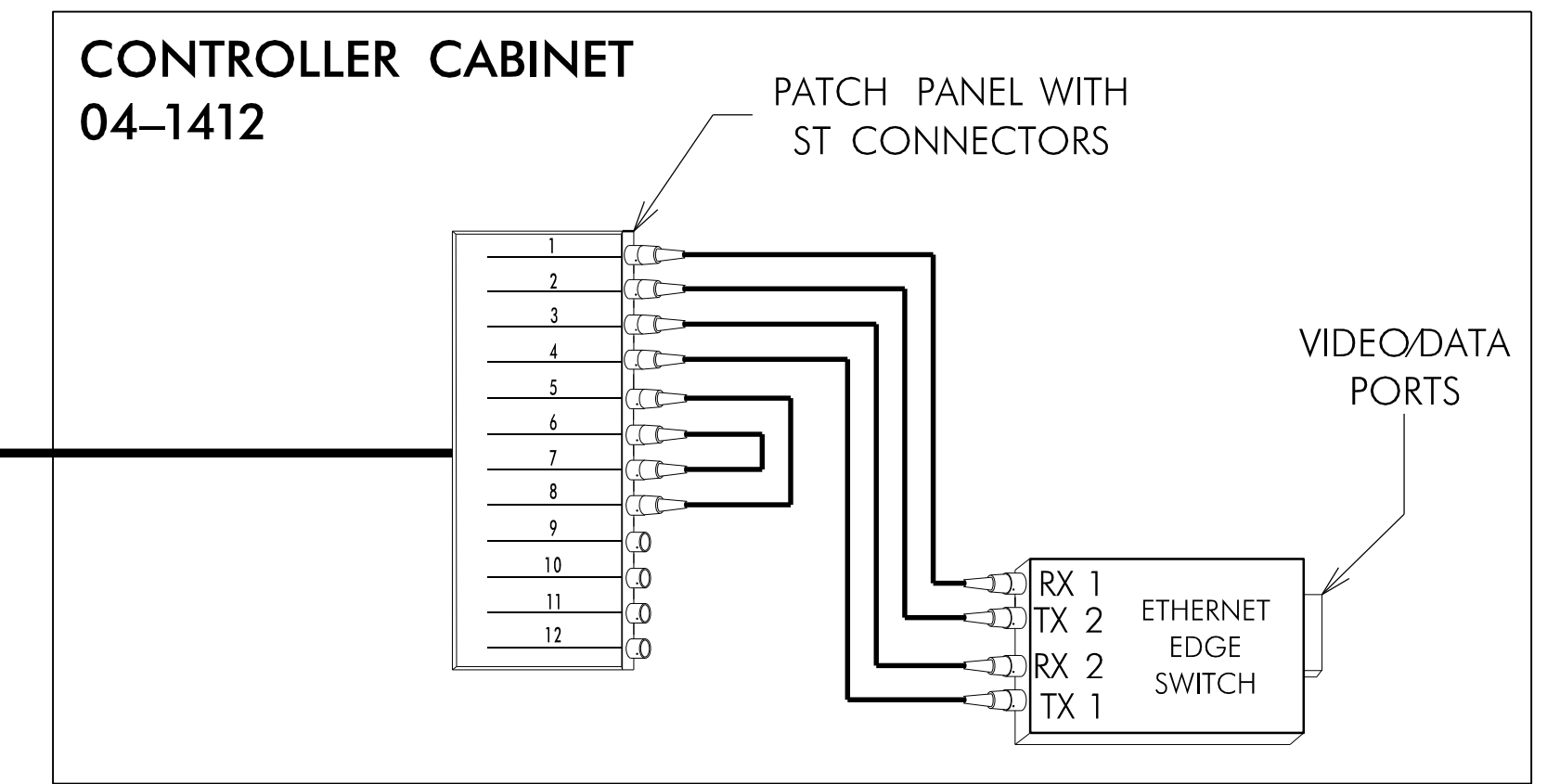
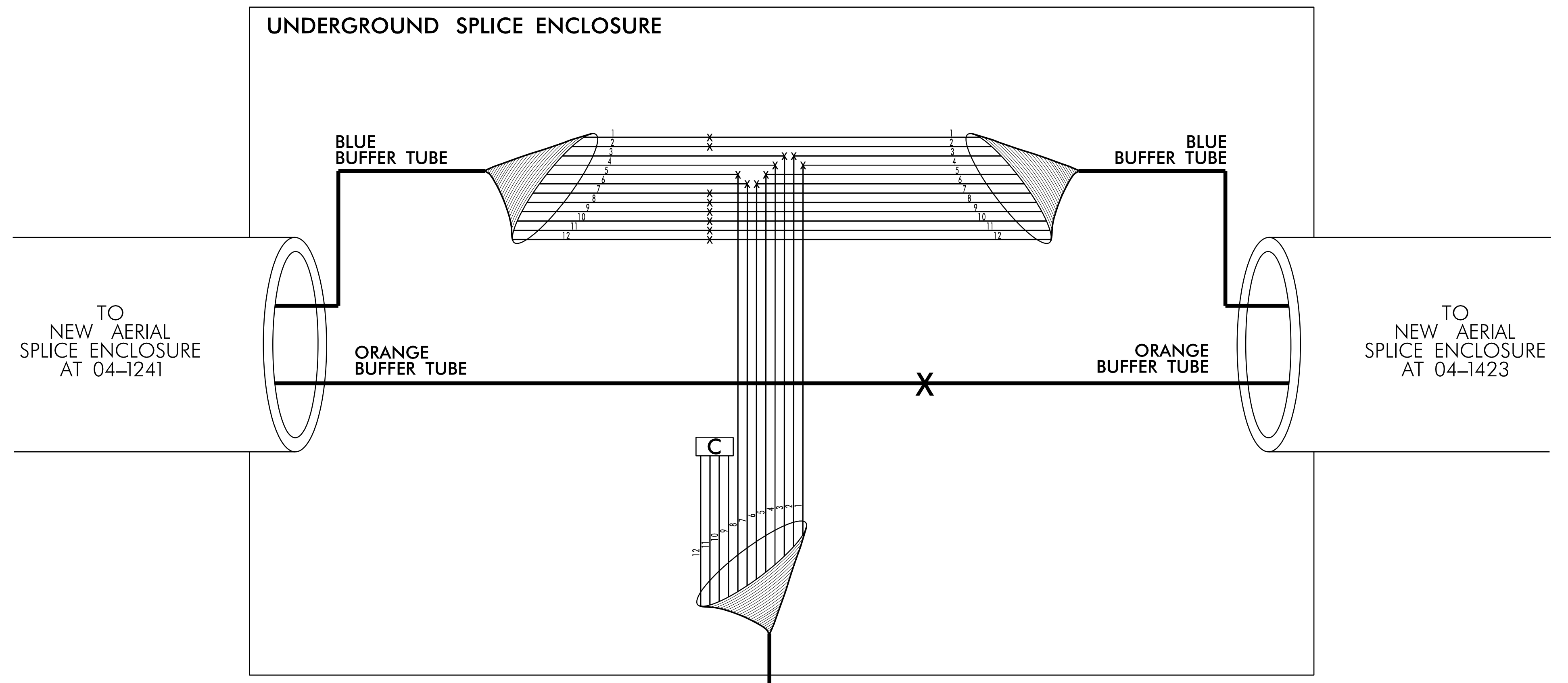
UNDERGROUND SPLICE ENCLOSURE
 AT NC 42 AND
 SR 1704 (NEUSE RIVER PKWY)/
 QUEEN ANN DR
 SIG. INV. # 04-1412

LEGEND

COLOR CODE	
(1) BLUE	(7) RED
(2) ORANGE	(8) BLACK
(3) GREEN	(9) YELLOW
(4) BROWN	(10) VIOLET
(5) SLATE	(11) ROSE
(6) WHITE	(12) AQUA

X = NEW FUSION SPLICE INDIVIDUAL FIBER
 C = CAP, COIL, AND SEAL

Notes:
 Unused fibers left coiled and stored in splice tray.
 Unused Buffer Tubes left coiled and stored in splice tray.



INCLUDE ON THE COVER OF EACH SPLICE TRAY THE FOLLOWING:
 REFERENCE SECTION 1731 "FIBER OPTIC SPLICE ENCLOSURE"

- 1) SPLICE LOCATION
- 2) DATE
- 3) COMPANY NAME
- 4) NAME OF INDIVIDUAL PERFORMING THE SPLICING

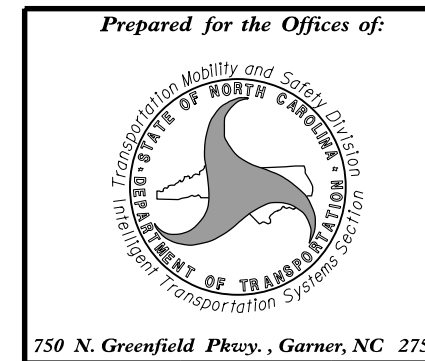
PRIOR TO INSTALLING THE COVER ON THE SPLICE TRAY TAKE A DIGITAL PHOTOGRAPH SHOWING THE SPLICE TRAY AND INFORMATION SHOWN ABOVE (1-4) AND SUBMIT PHOTOGRAPH ALONG WITH OTDR TEST RESULTS.

NOTES:

1. NOTIFY THE NCDOT DIVISION 4 TRAFFIC ENGINEER, ANDY BROWN, AT (252) 640-6505 EXT 3544, FIVE (5) DAYS PRIOR TO BEGINNING WORK ON SIGNAL SYSTEM COMMUNICATIONS CABLE. NOTIFY THE DIVISION 4 TRAFFIC ENGINEER AFTER ALL WORK IS PERFORMED. ALL WORK IS NOT COMPLETE UNTIL THE SIGNAL SYSTEM IS OPERATIONAL.
2. TRANSCEIVER TERMINATION CONFIGURATIONS ARE GENERIC. THE CONTRACTOR IS RESPONSIBLE FOR DETERMINING /ENSURING PROPER TERMINATIONS AND SHALL PERFORM ALL SPLICING AND TERMINATIONS IN CONTROLLER CABINET.

5/25/2018
 L:\Projects\1811\04031\4R3825B\Tr\off\c\4S\gnal\SR3825B_SCP-23.dgn
 COAS1

Prepared by
URS
 URS Corporation - North Carolina
 1600 Perimeter Park Drive
 Morrisville, North Carolina 27560
 TELEPHONE (919) 461-1100 FAX (919) 461-1415
 NC LICENSE # C-2243



Splice Details	
Division 4 Johnston County Clayton	
PLAN DATE: January 2018	REVIEWED BY: C. L. Kalencik
PREPARED BY: S. W. Cox	REVIEWED BY:
REVISIONS	INIT. DATE

DOCUMENT NOT CONSIDERED FINAL UNLESS ALL SIGNATURES COMPLETED

SEAL

NORTH CAROLINA PROFESSIONAL ENGINEER
 SEAL 37856
 STEVEN W. COX
 5/25/2018
 CADD Filename: