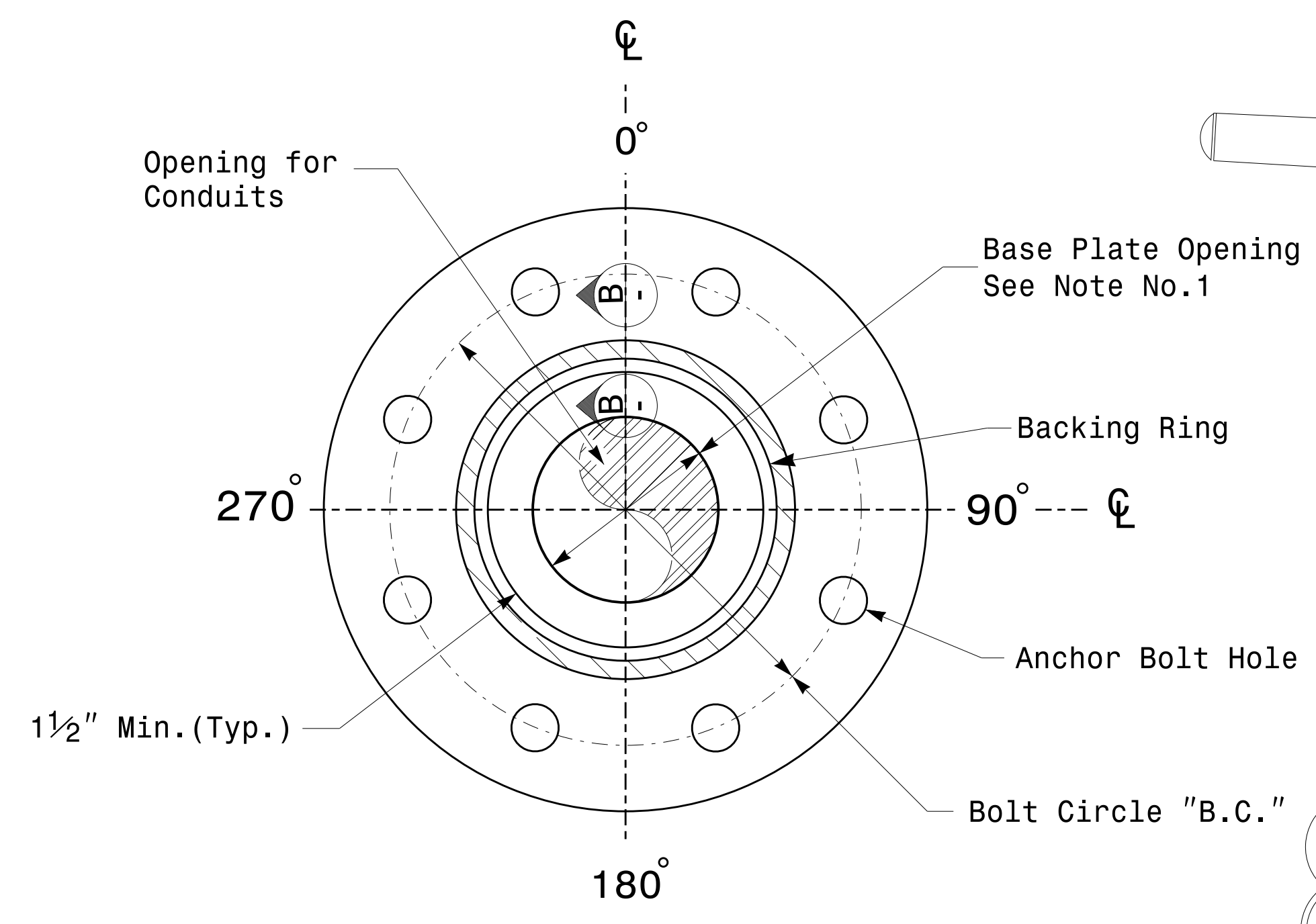
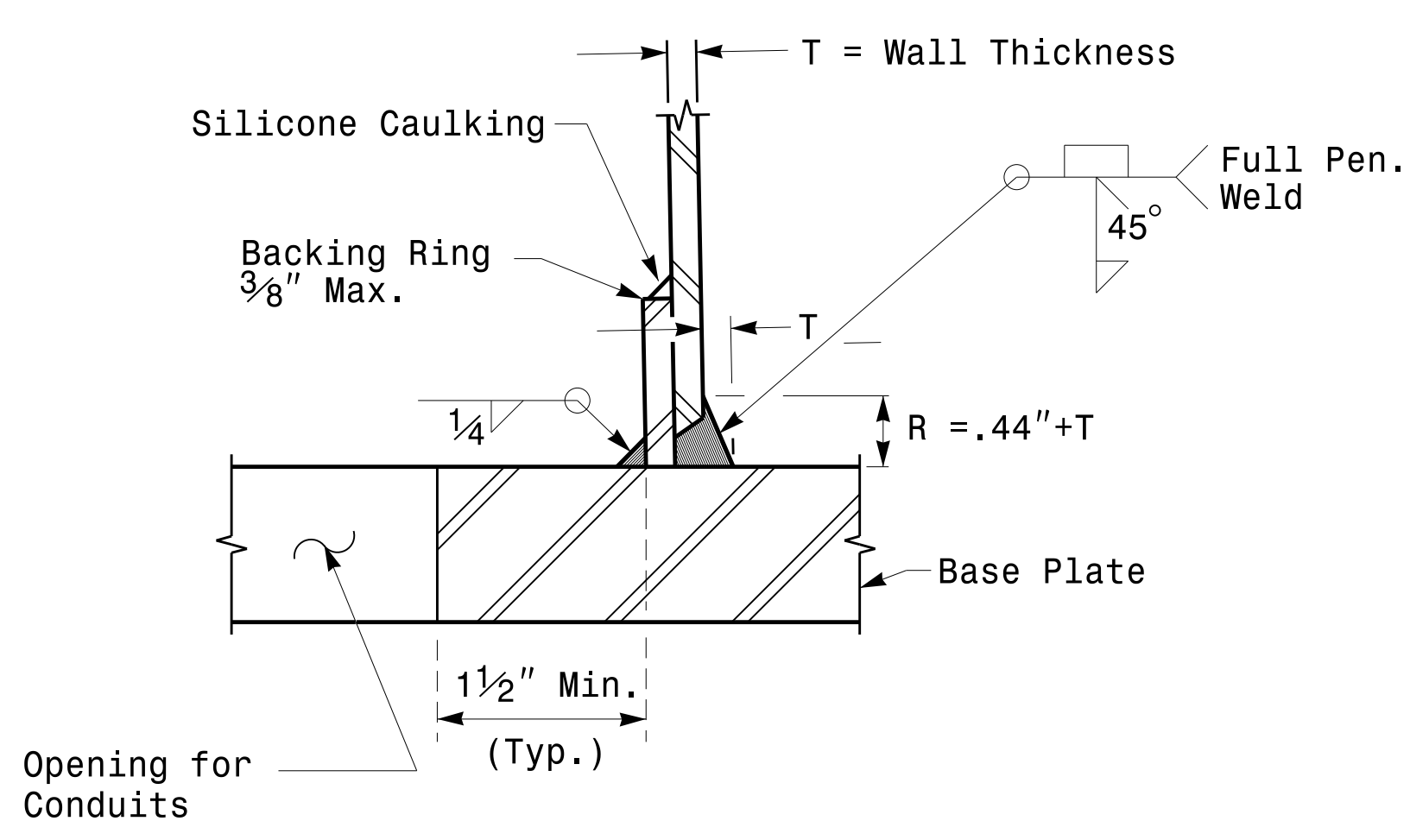


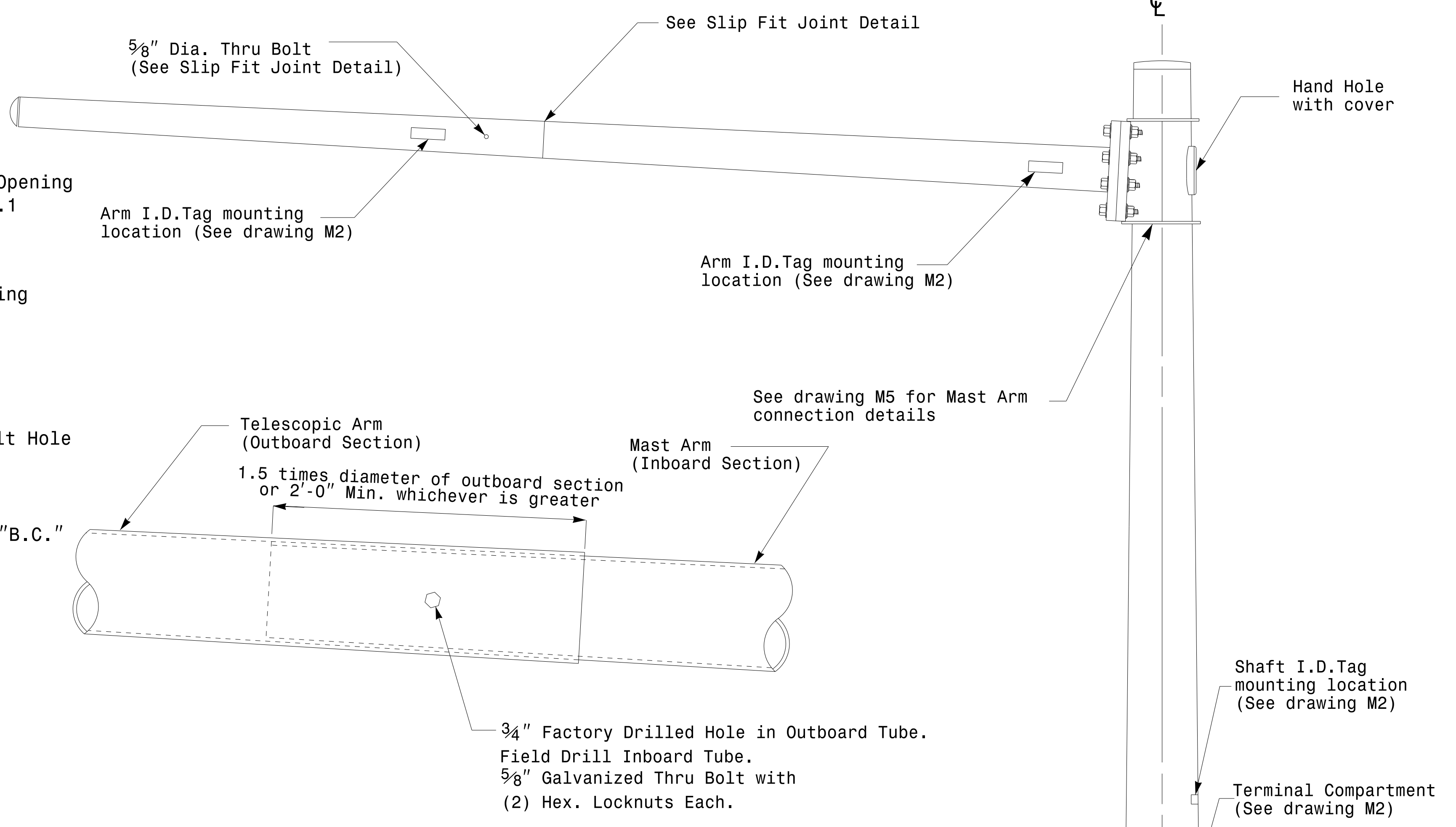
Note:
 1. Opening in pole base plate shall be equal to pole base inside diameter minus 3 1/2" but shall not be less than 8 1/2".



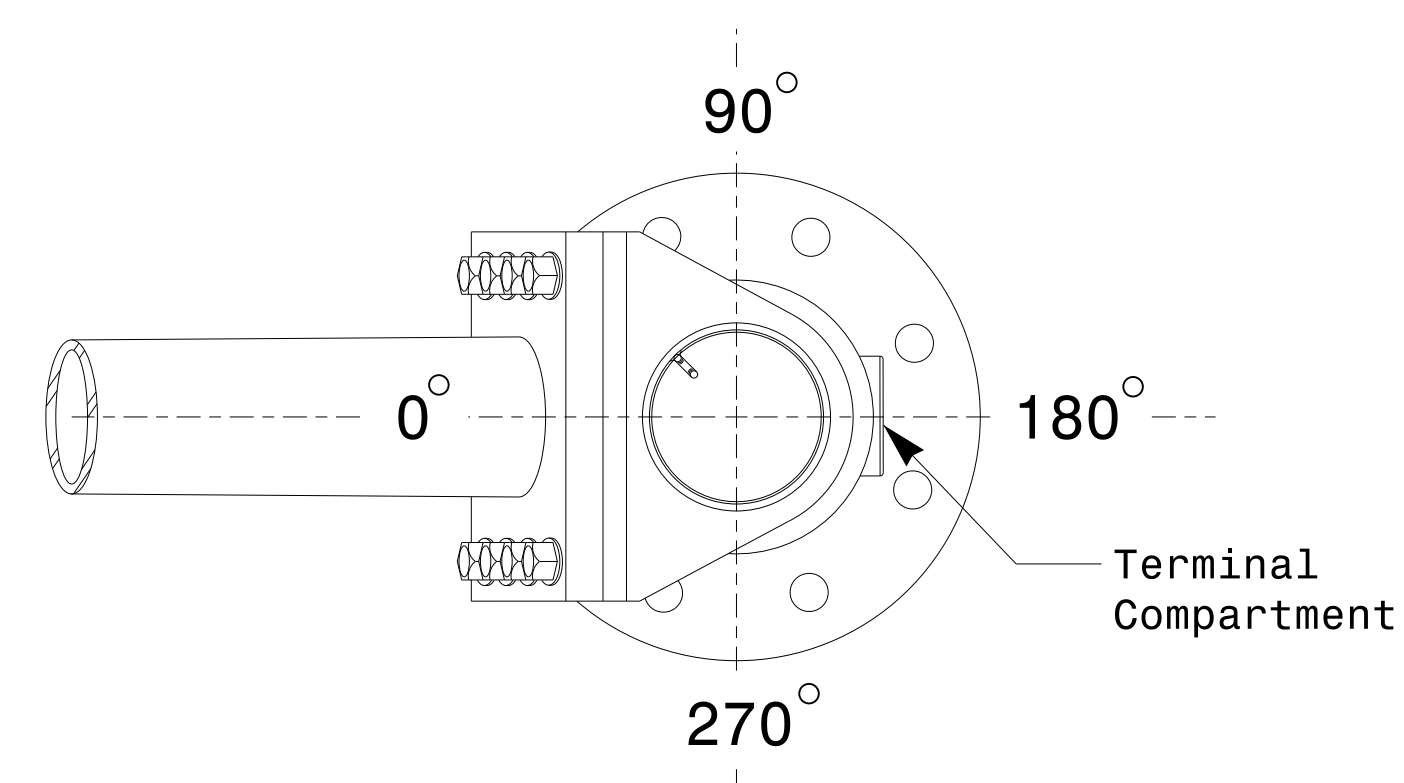
Section A-A
Pole Base Plate Details



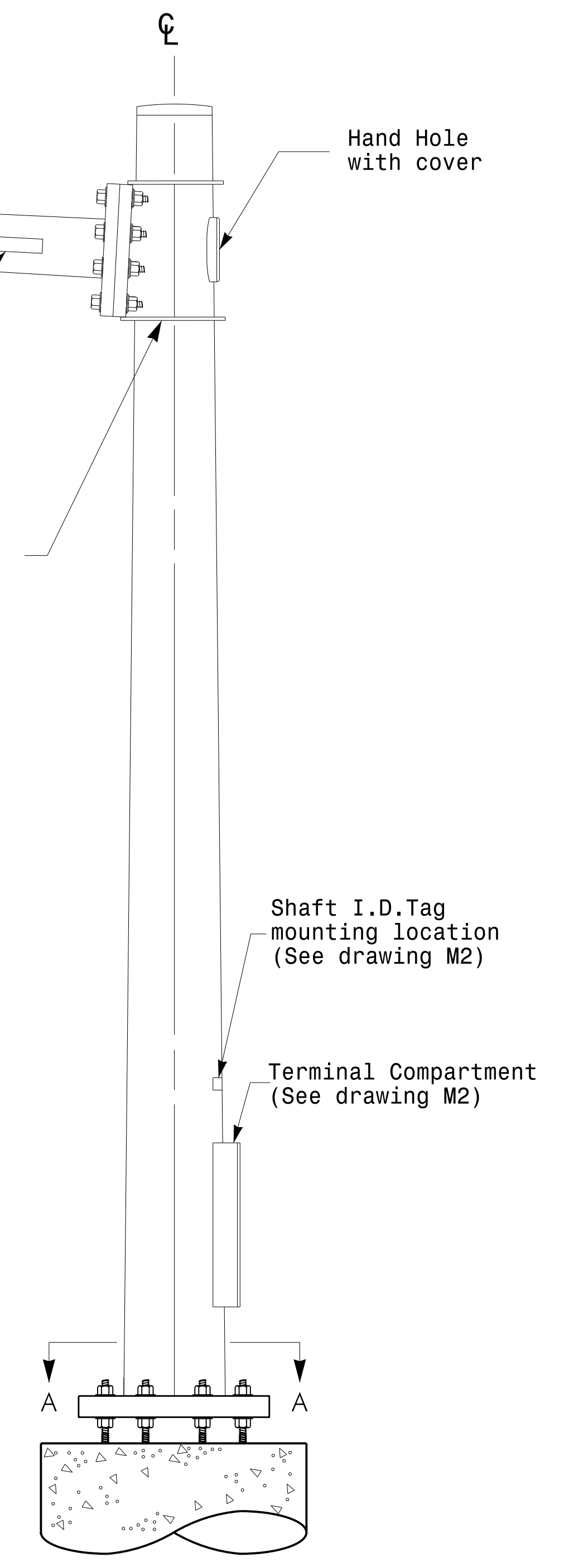
Section B-B
 (Pole Attachment to Base Plate)
Full-Penetration Groove Weld Detail



Slip Fit Joint Detail for Mast Arm



Mast Arm Radial Orientation



Mast Arm Pole

Fabrication Details – Mast Arm Poles

11-0CT-2017-08:33
 1365604115 Signal&Sgnal Design Section Eastern RegionM4 Sheets20162014 Sig.M4 Std. Fabrication Detail-Mast Arm Poles.dgn
 P1212017

	Typical Fabrication Details For Mast Arm Poles		SEAL
	PLAN DATE: OCTOBER 2017 PREPARED BY: N. BITTING	DESIGNED BY: K.C. DURIGON REVIEWED BY: D.C. SARKAR	
SCALE: 0 NA NONE	DocuSigned by: 		10/11/2017 DATE