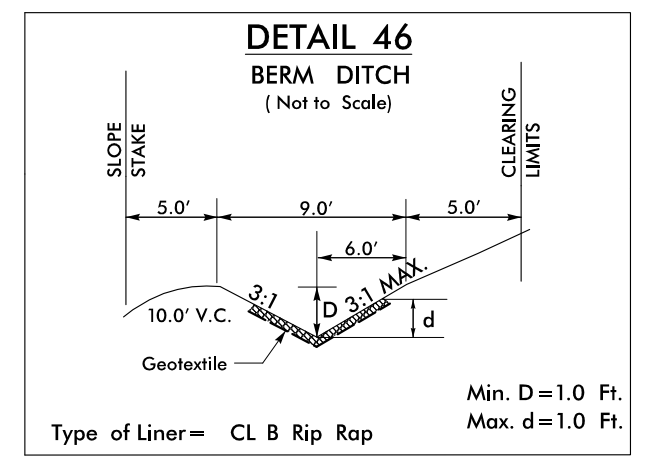


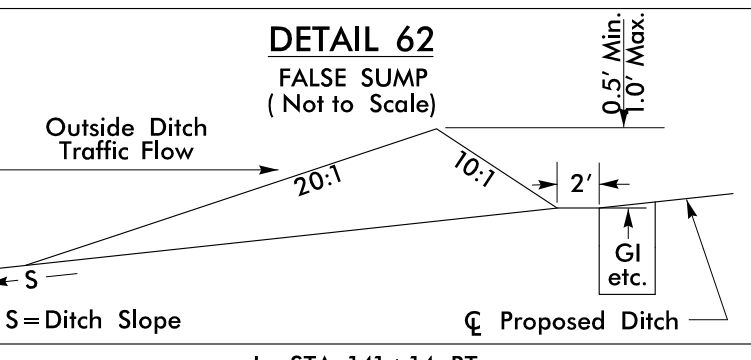
Place Matting for Erosion Control  
on all Cut and Fill Slopes as Work Allows.  
-L- Sta. 140+00 to Sta. 153+00 RT & LT

INSTALL INLET PROTECTION IN ACCORDANCE WITH ENGINEER'S RECOMMENDATIONS

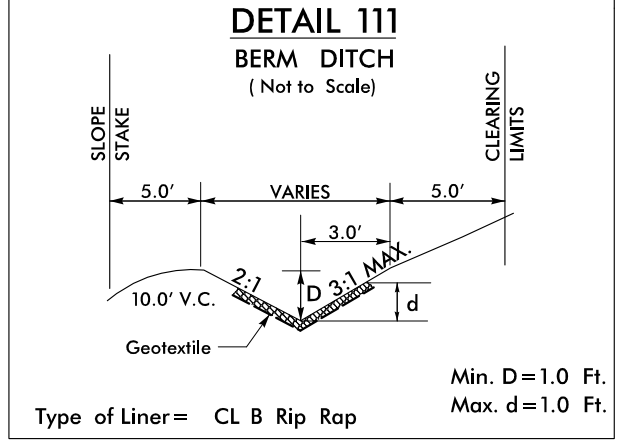
(58)  
42 EAST, LLC  
DB 2800 PG 163  
PB 63 PG 234



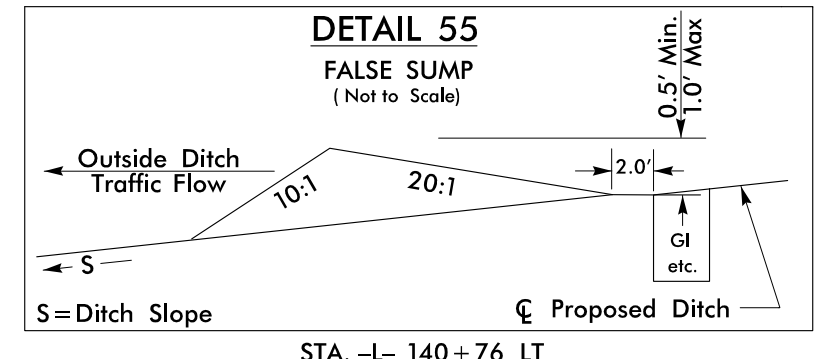
FROM -L- STA. 141+60 LT TO -L- STA. 141+85 LT  
FROM -L- STA. 142+00 RT TO -L- STA. 143+25 RT  
FROM -L- STA. 143+25 RT TO -L- STA. 144+20 RT  
FROM -L- STA. 144+70 RT TO -L- STA. 146+00 RT



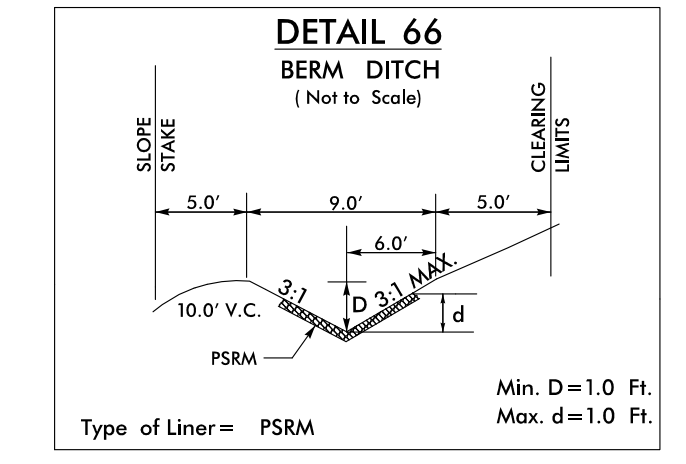
-L- STA. 141+14 RT  
-L- STA. 143+06 RT



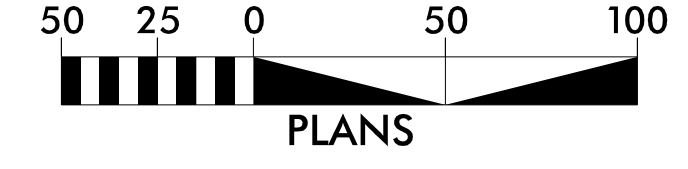
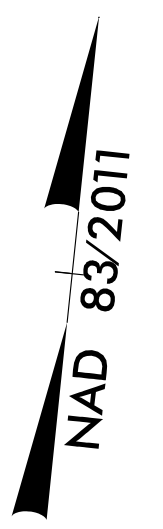
FROM -L- STA. 141+85 LT TO -L- STA. 144+30 LT



STA. -L- 140+76 LT  
STA. -L- 141+62 LT  
STA. -L- 144+06 LT  
STA. -L- 144+46 LT



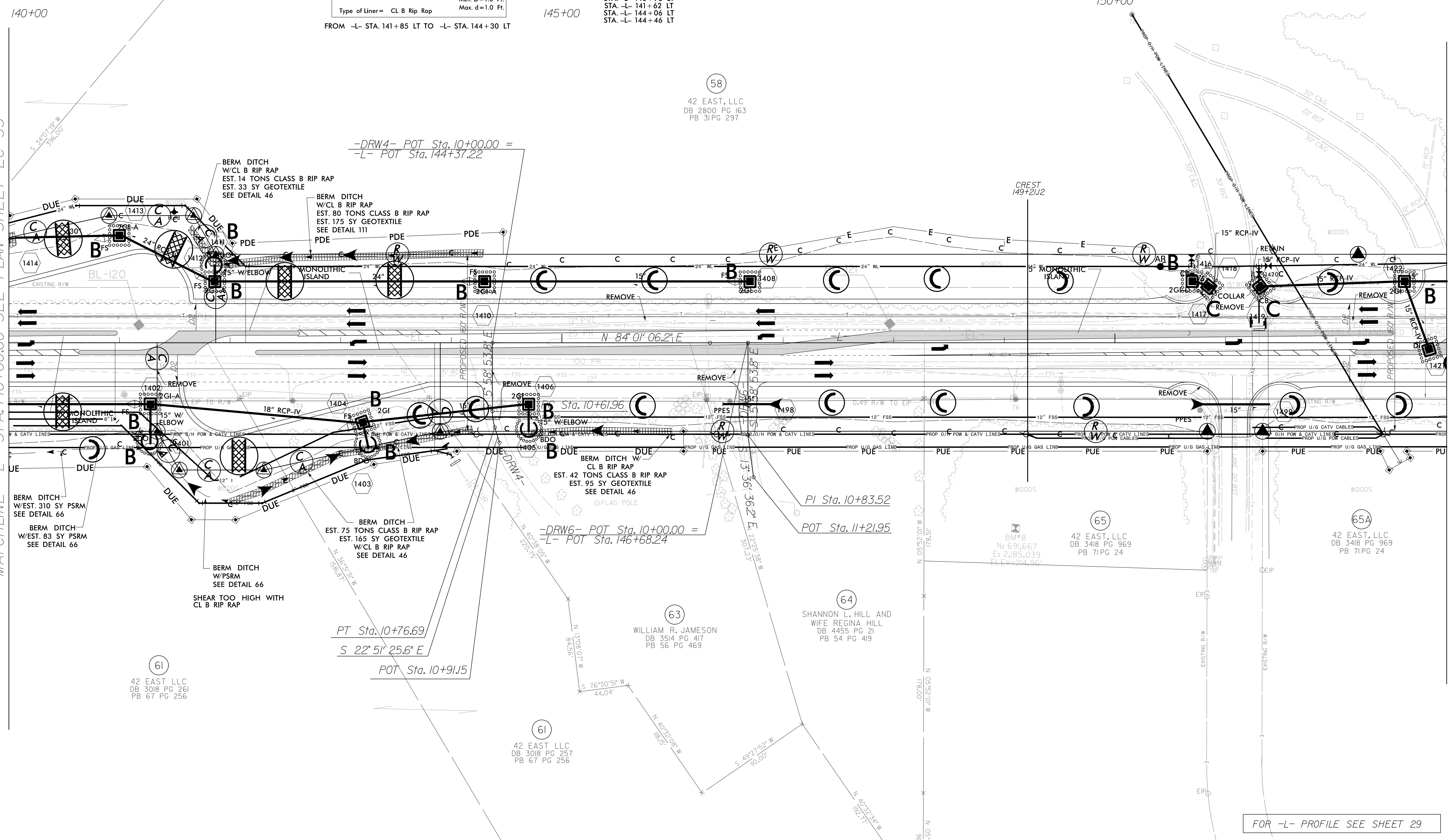
FROM -L- STA. 140+50 RT TO -L- STA. 142+00 RT



REVISIONS

MATCHLINE -L- STA. 140+00.00 SEE PLAN SHEET EC-33

MATCHLINE -L- STA. 153+00.00 SEE PLAN SHEET EC-35



FOR -L- PROFILE SEE SHEET 29

(61)  
42 EAST, LLC  
DB 3018 PG 261  
PB 67 PG 256

(61)  
42 EAST, LLC  
DB 3018 PG 257  
PB 67 PG 256

(65)  
42 EAST, LLC  
DB 3418 PG 969  
PB 71 PG 24

(65A)  
42 EAST, LLC  
DB 3418 PG 969  
PB 71 PG 24

(63)  
WILLIAM R. JAMESON  
DB 3514 PG 417  
PB 56 PG 469

(64)  
SHANNON L. HILL AND  
WIFE REGINA HILL  
DB 4455 PG 21  
PB 54 PG 419