

REVISION DESIGNED BY  
ROADSIDE ENVIRONMENTAL UNIT  
12/17/2020

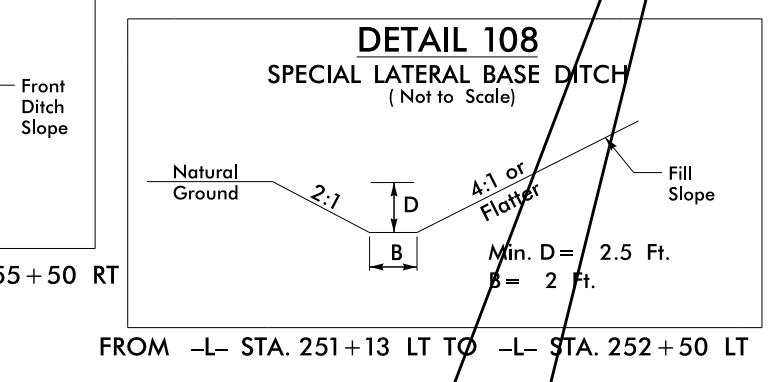
CLEARING AND GRUBBING  
EROSION CONTROL FOR  
CONSTRUCTION SHEET 22

NOTE:  
PERIMETER EROSION CONTROL MEASURES  
SHALL BE INSTALLED DURING CLEARING  
AND GRUBBING PHASE.

Place Matting for Erosion  
Control in Temporary Ditches  
and Diversions.

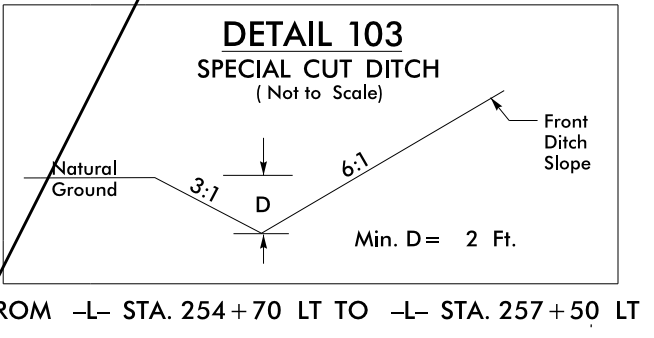
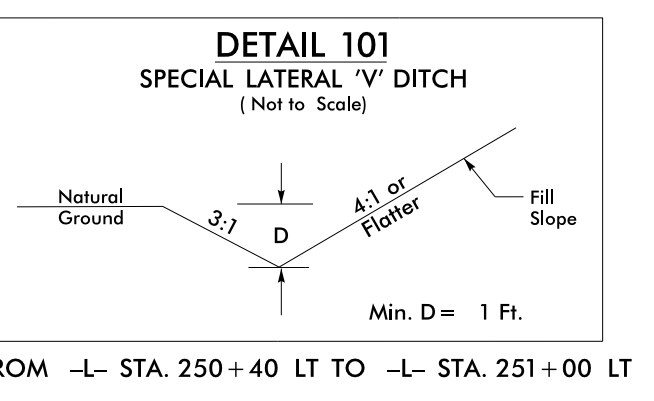
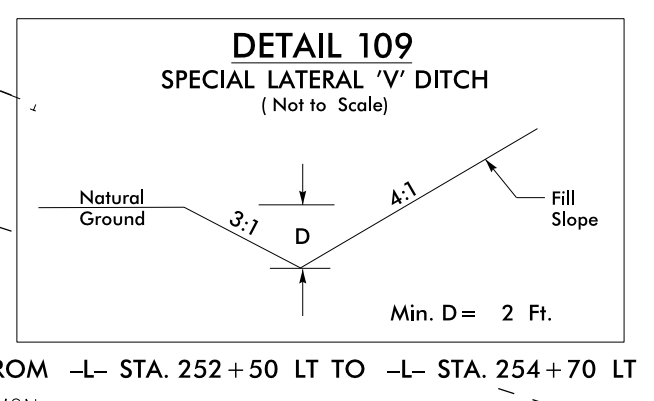
FOR ADDITIONAL DRAINAGE  
DITCH DETAILS  
SEE ROADWAY PLAN SHEET 22

52' x 26' x 3'  
1.5 inch Skimmer  
with 1.0 inch  
Orifice Diameter  
5 ft. weir  
ID 22.2



**END TIP PROJECT R-3825B**  
**-L- Sta. 257+50.00**

Place Matting for Erosion  
Control in Temporary Ditches  
and Diversions.



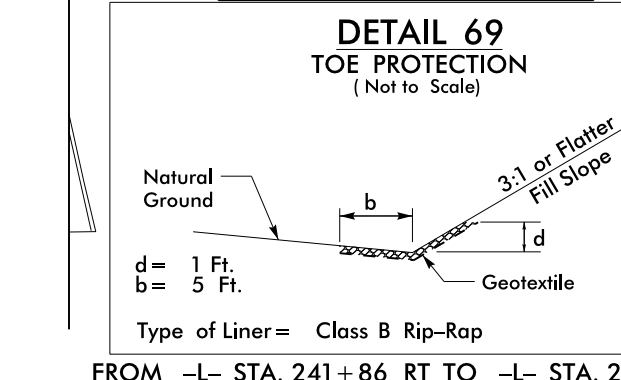
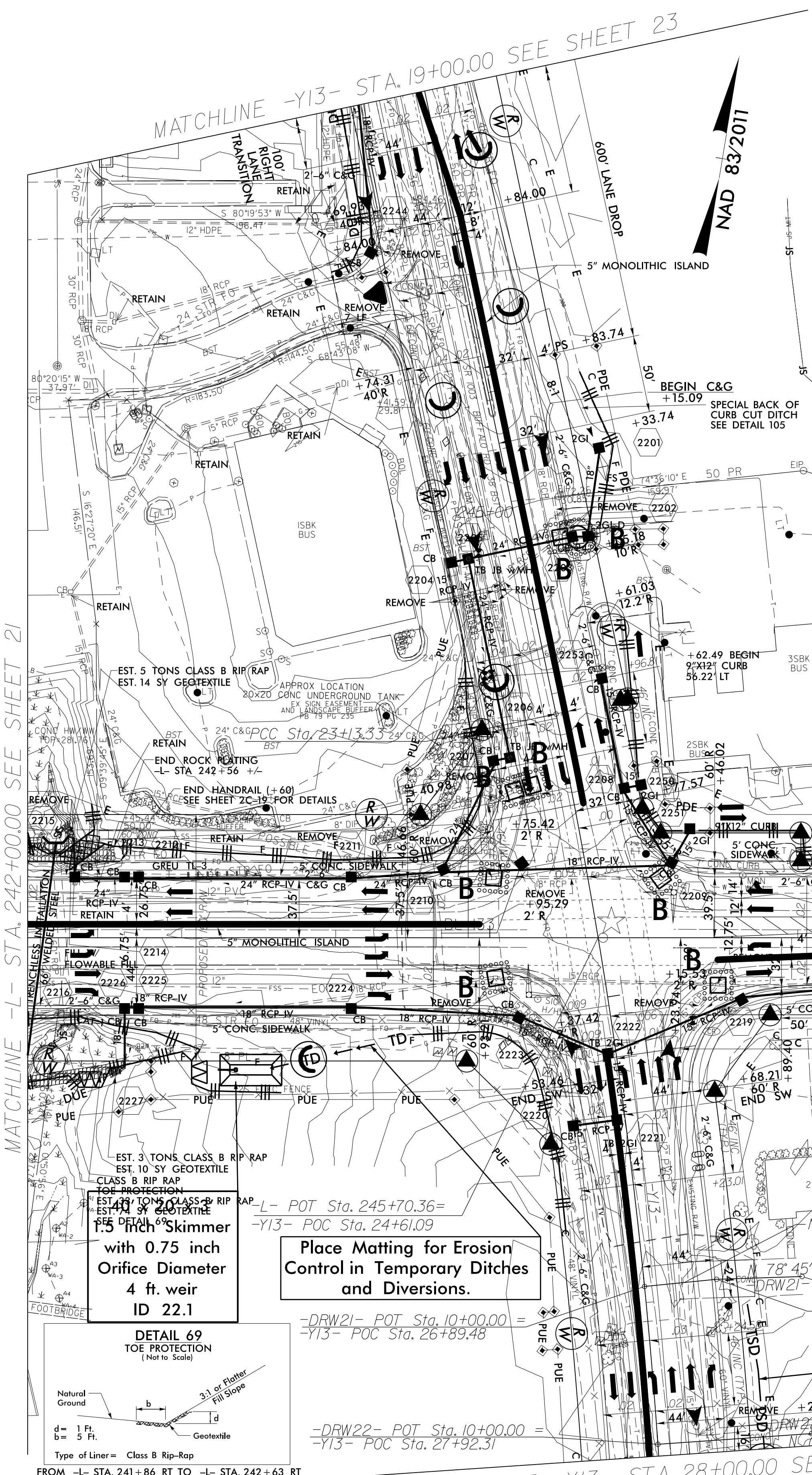
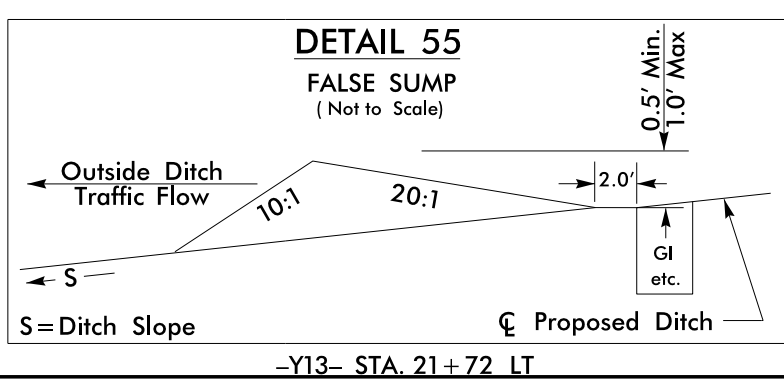
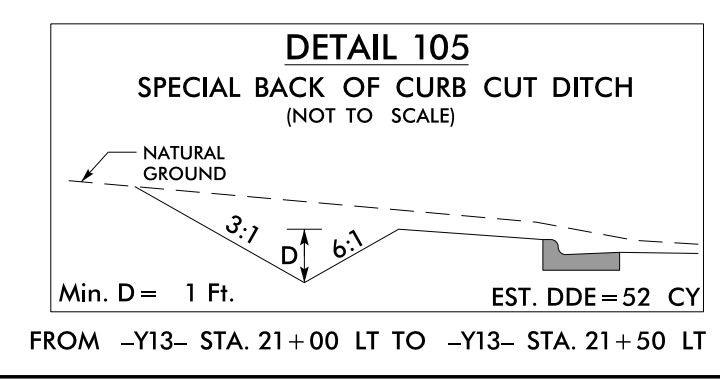
INSTALL INLET PROTECTION IN  
ACCORDANCE WITH ENGINEER'S  
RECOMMENDATIONS

INSTALL PIPE(S) IN JURISDICTIONAL AREAS WITHOUT IMPACTING STREAM UNTIL  
AREA STABILIZED AND ACCORDING TO NCDOT BEST MANAGEMENT  
PRACTICES FOR CONSTRUCTION AND MAINTENANCE ACTIVITIES MANUAL.

Place Matting for Erosion  
Control in Temporary Ditches  
and Diversions.

NOTE:  
PLACE TEMPORARY ROCK SEDIMENT DAMS TYPE - B  
AND TEMPORARY ROCK SILT CHECKS TYPE - A AT  
DRAINAGE OUTLETS.

32' x 16' x 3'  
1.5 inch Skimmer  
with 0.50 inch  
Orifice Diameter  
4 ft. weir  
ID 22.3



Place Matting for Erosion  
Control in Temporary Ditches  
and Diversions.

FROM -L- STA. 241+86 RT TO -L- STA. 242+63 RT

MATCHLINE -Y13- STA. 28+00.00 SEE SHEET 23

REVISIONS  
1 - ROW, PUE, PDE, AND EASEMENTS UPDATED ON PARCEL 100 FROM STA. 218+77 TO 244+77 (10/12/2018) TLH  
2 - TCE ADDED TO PARCEL 105 FROM -Y13- STA. 20+46.96, 59' RT (11/22/2019) HN

MATCHLINE -L- STA. 242+00.00 SEE SHEET 21

MATCHLINE -L- STA. 255+00.00  
SEE THIS SHEET

MATCHLINE -L- STA. 255+00.00 SEE THIS SHEET

MATCHLINE -Y13- STA. 19+00.00 SEE SHEET 23