

NOTE:  
PLACE TEMPORARY ROCK SEDIMENT DAMS TYPE - B AND TEMPORARY ROCK SILT CHECKS TYPE - A AT DRAINAGE OUTLETS.

NOTE:  
PERIMETER EROSION CONTROL MEASURES SHALL BE INSTALLED DURING CLEARING AND GRUBBING PHASE.

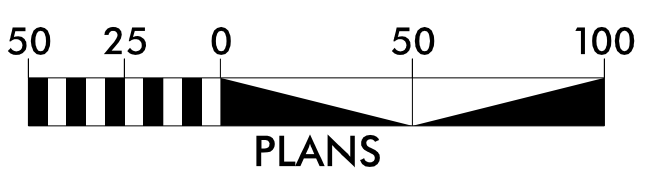
CLEARING AND GRUBBING EROSION CONTROL MEASURES SHALL BE INSTALLED DURING CONSTRUCTION SHEET 7

Construct Proposed Berm Ditch according to Detail 19 from -Y5- Sta. 10+70 RT to -Y5- Sta. 12+05 RT During the Clearing and Grubbing Phase

INSTALL INLET PROTECTION IN ACCORDANCE WITH ENGINEER'S RECOMMENDATIONS

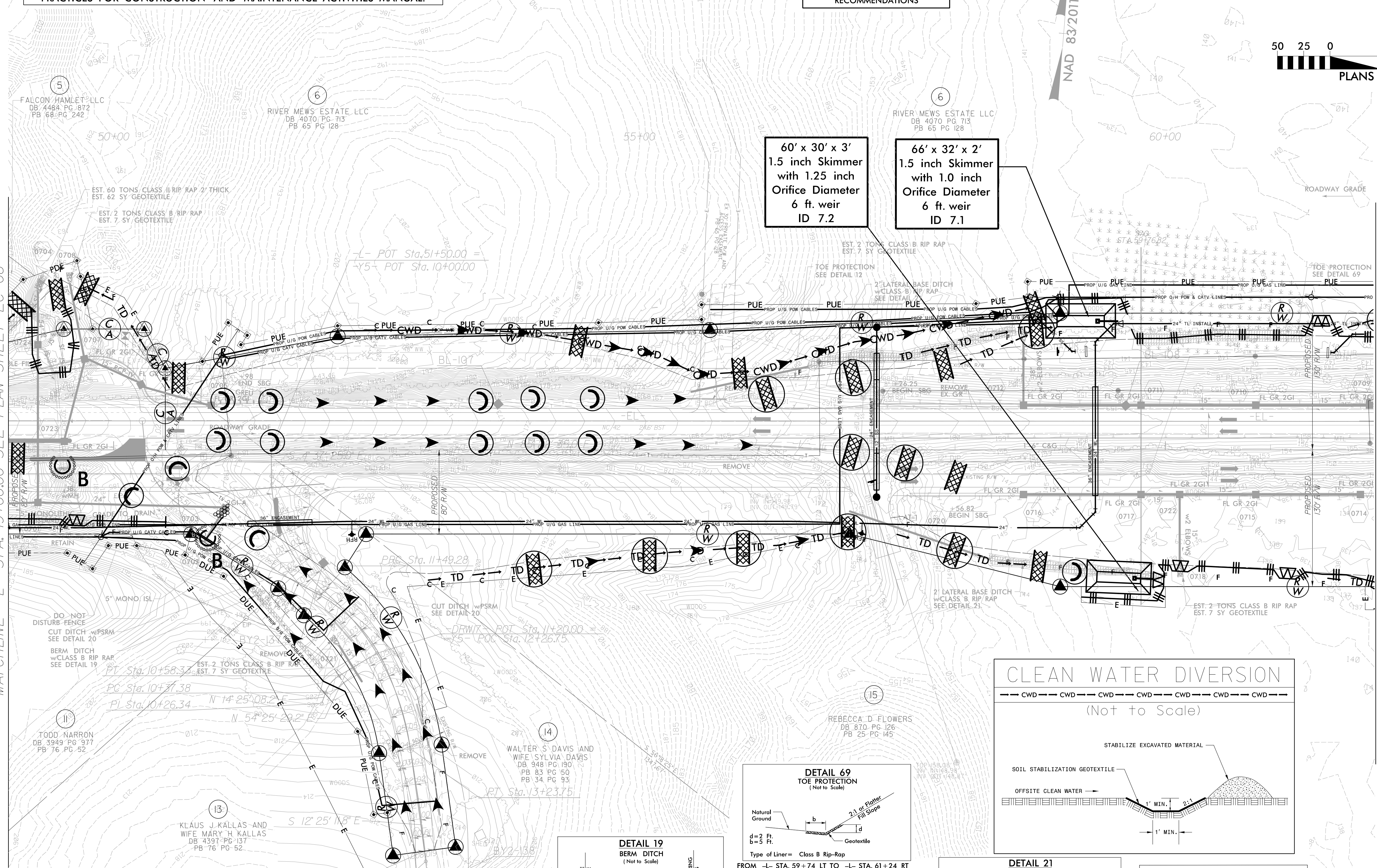
INSTALL PIPE(S) IN JURISDICTIONAL AREAS WITHOUT IMPACTING STREAM UNTIL AREA STABILIZED AND ACCORDING TO NCDOT BEST MANAGEMENT PRACTICES FOR CONSTRUCTION AND MAINTENANCE ACTIVITIES MANUAL.

|   |               |
|---|---------------|
| PROJECT REFERENCE NO.                                     | SHEET NO.     |
| R-3825B   | EC-07/CONST.7 |
| RW SHEET NO.  |               |
| <small>Prepared in the Office of:</small><br><b>AECOM</b> |               |



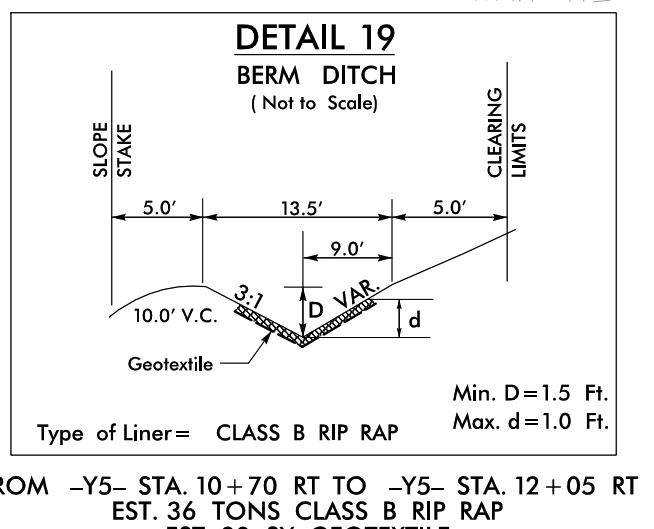
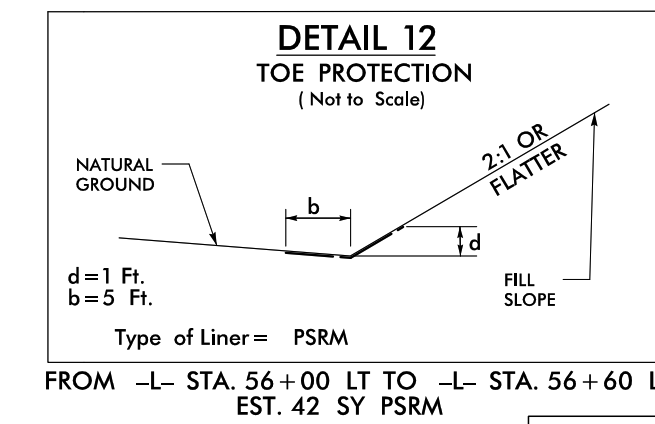
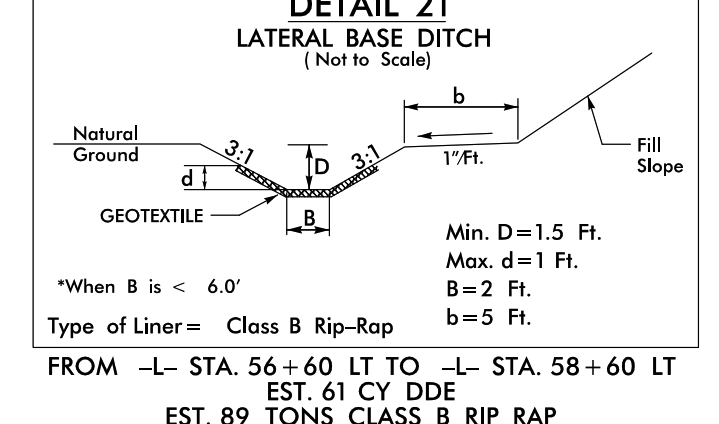
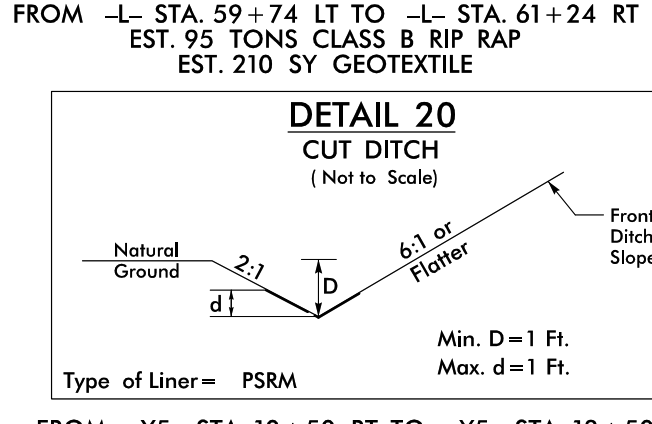
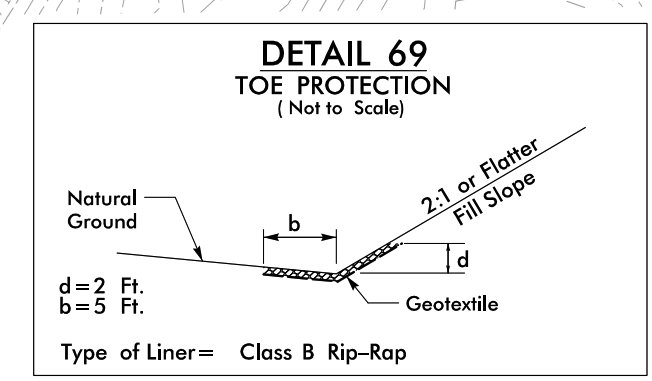
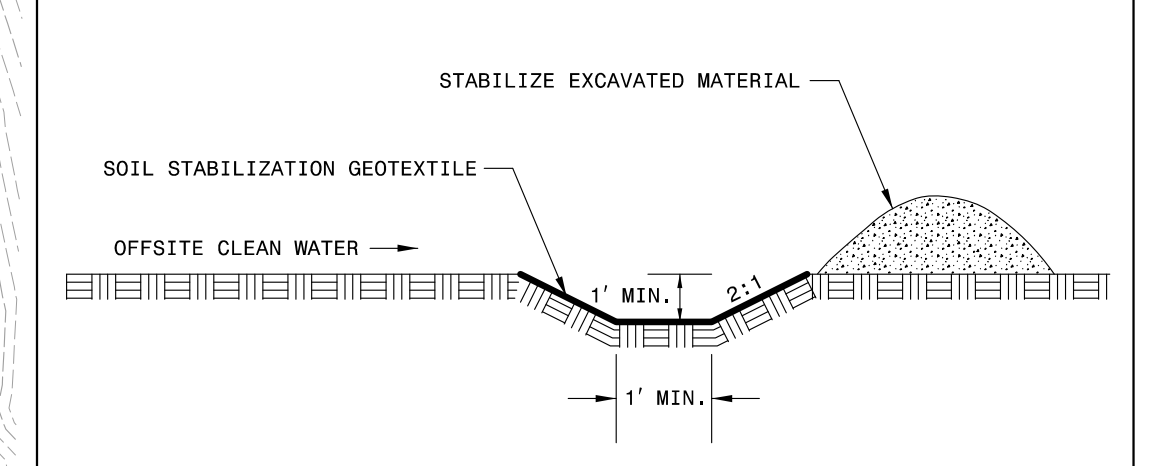
MATCHLINE -L- STA. 49+00.00 SEE PLAN SHEET EC-06

MATCHLINE -L- STA. 62+00.00 SEE PLAN SHEET EC-08



REVISIONS

**CLEAN WATER DIVERSION**  
(Not to Scale)



FOR -L- PROFILE SEE SHEET 25  
FOR -Y5- PROFILE SEE SHEET 33

DATE/TIME: 05/31/19 AM  
DRAWN: PVE/Revision: Contron/03/25/2019\_EC\_26107.dgn

DAVID H. TURLINGTON AND WIFE  
NANCY T. TURLINGTON