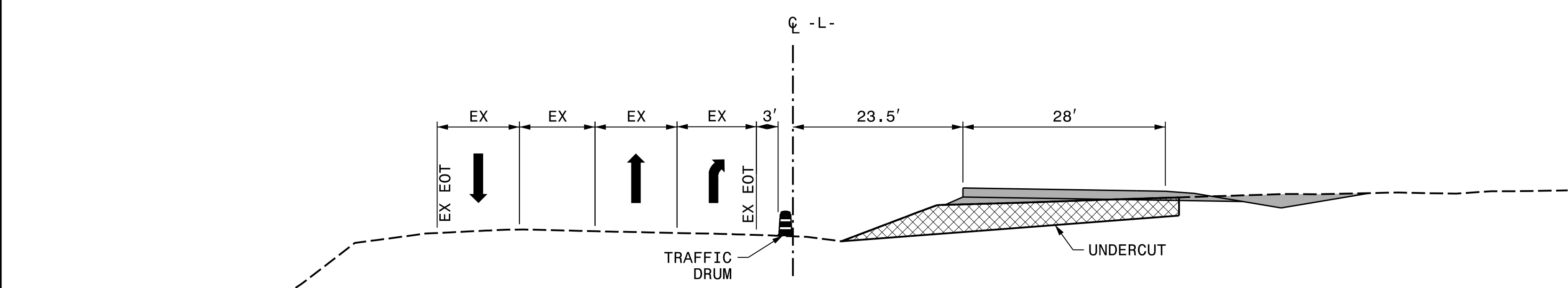
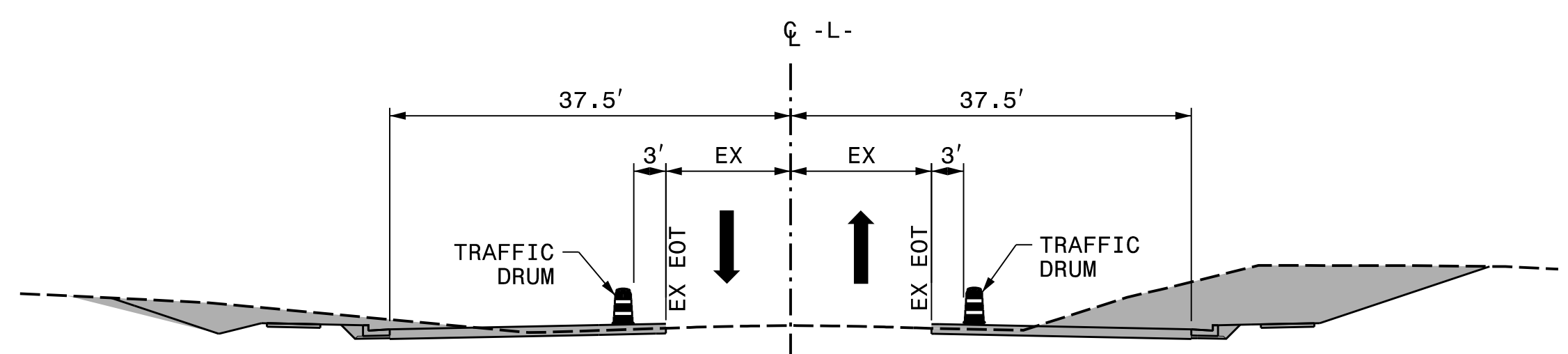


SECTION M-M
-L- STA. 169+50

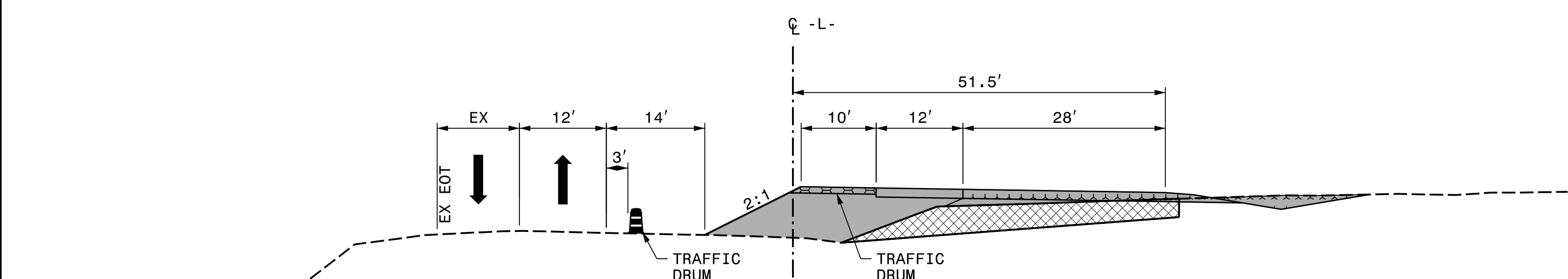


PHASE 1 - STEP 1

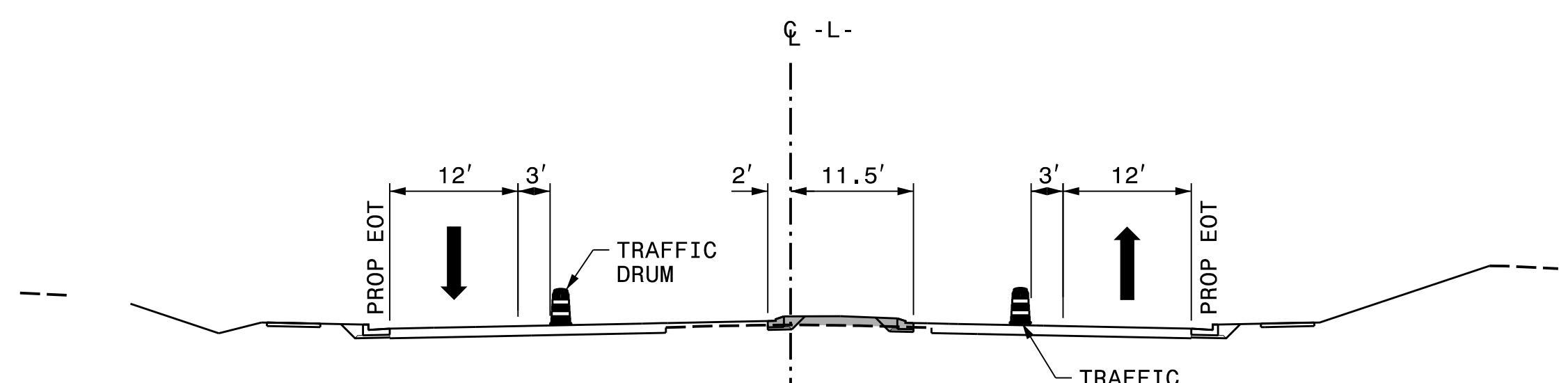
SECTION N-N
-L- STA. 227+00



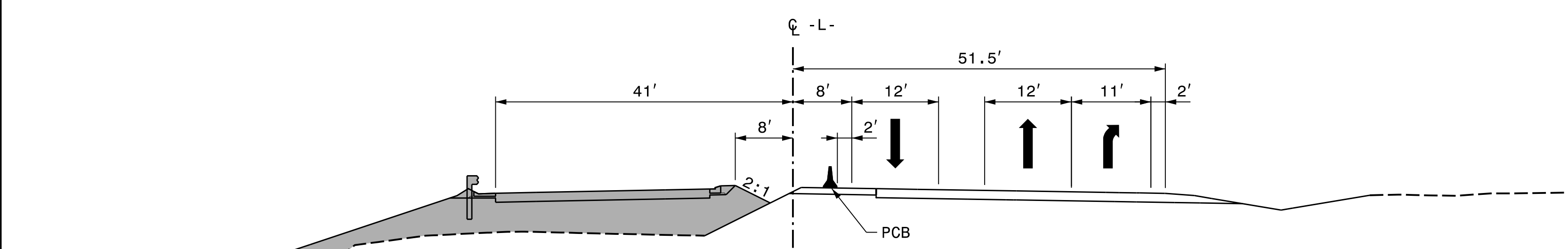
PHASE 1 - STEP 1



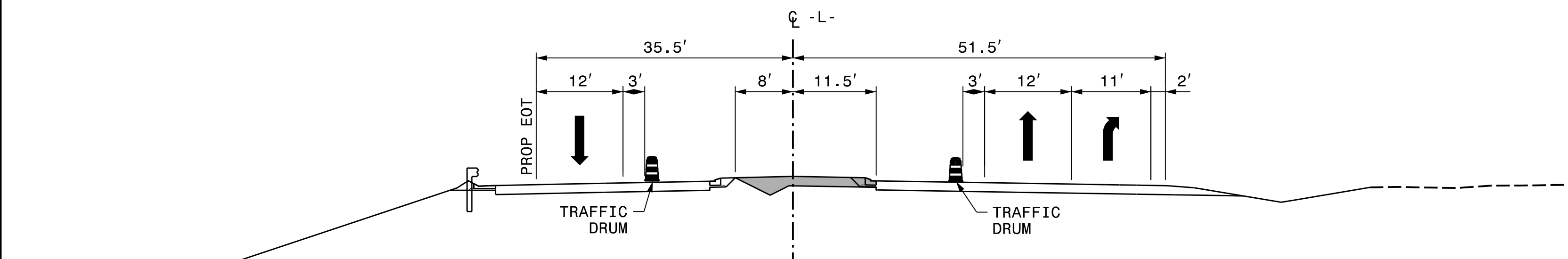
PHASE 1 - STEP 2



PHASE 3

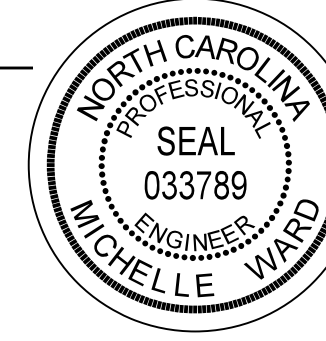


PHASE 2

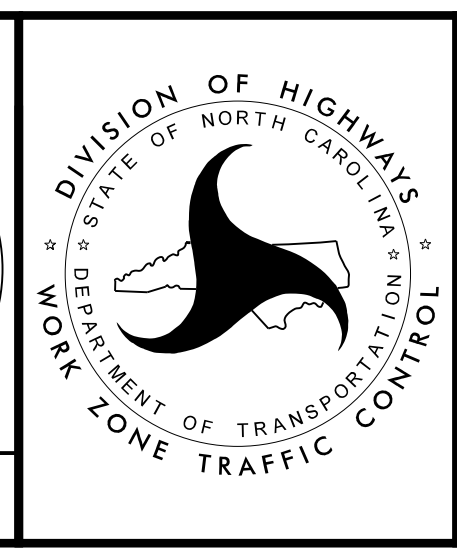


PHASE 3

APPROVED: *Michelle Ward*
 DATE: 6/6/2018
 SEAL



**DOCUMENT NOT CONSIDERED FINAL
UNLESS ALL SIGNATURES COMPLETED**



CUT SECTIONS

PLOT DRIVER: NCDOT_pdf_color_eng_50.plt
 USER: BSCOTT
 DATE: 6/5/2018
 TIME: 3:15:38 PM
 FILE: p:\p\h\h\users\01\h\h\US_East_01\Documents\3322\10001376\10051231\6.0_CAD_BIM\6.2_Work_In_Progress\Traffic\TrafficControl\TCP\R3825B_TC_TMP-02J.dgn

REVISIONS