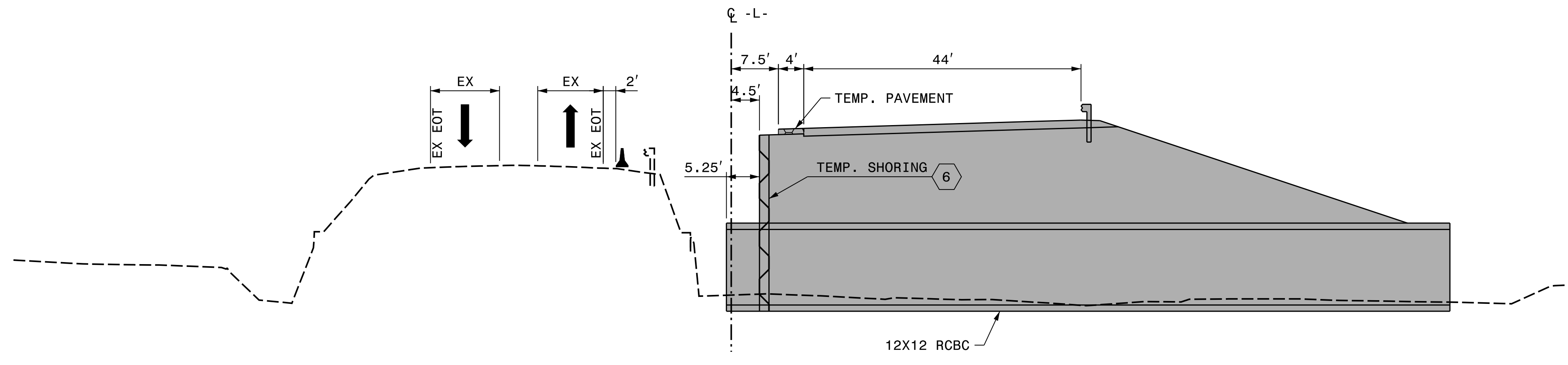
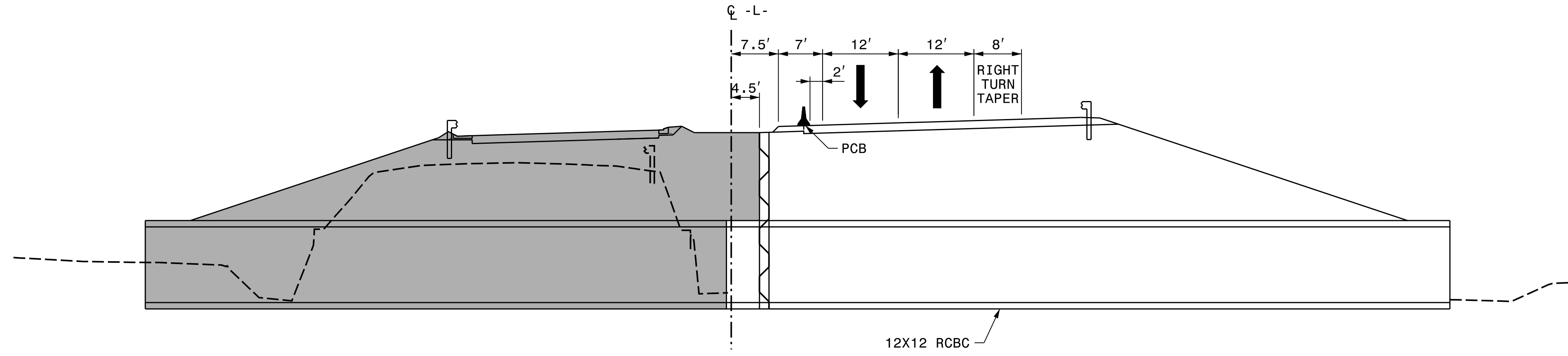


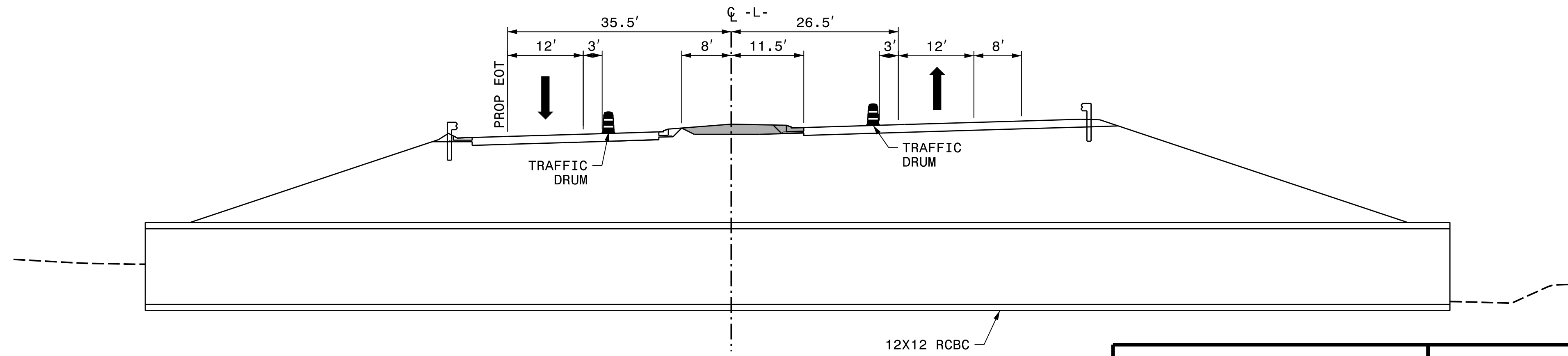
SECTION L-L
-L- STA. 167+00



PHASE 1 - STEP 1



PHASE 2



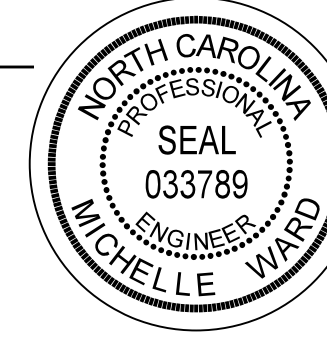
PHASE 3

REVISIONS

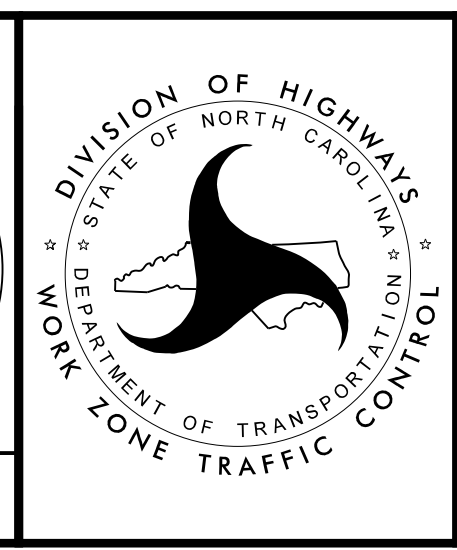
PLOT DRIVER: NCDOT_pdf_color_eng_50.plt
 USER: BSCOTT
 DATE: 6/5/2018
 TIME: 3:15:30 PM
 FILE: p:\pwhdr\users\01\HDR_US_East_01\Documents\3322\10001376\10051231\6.0_CAD_BIM\6.2_Work_In_Progress\Traffic\TrafficControl\TCP\R3825B_TC_TMP-02I.dgn

APPROVED: *Michelle Ward*
 DATE: 6/6/2018

SEAL



**DOCUMENT NOT CONSIDERED FINAL
UNLESS ALL SIGNATURES COMPLETED**



CUT SECTIONS