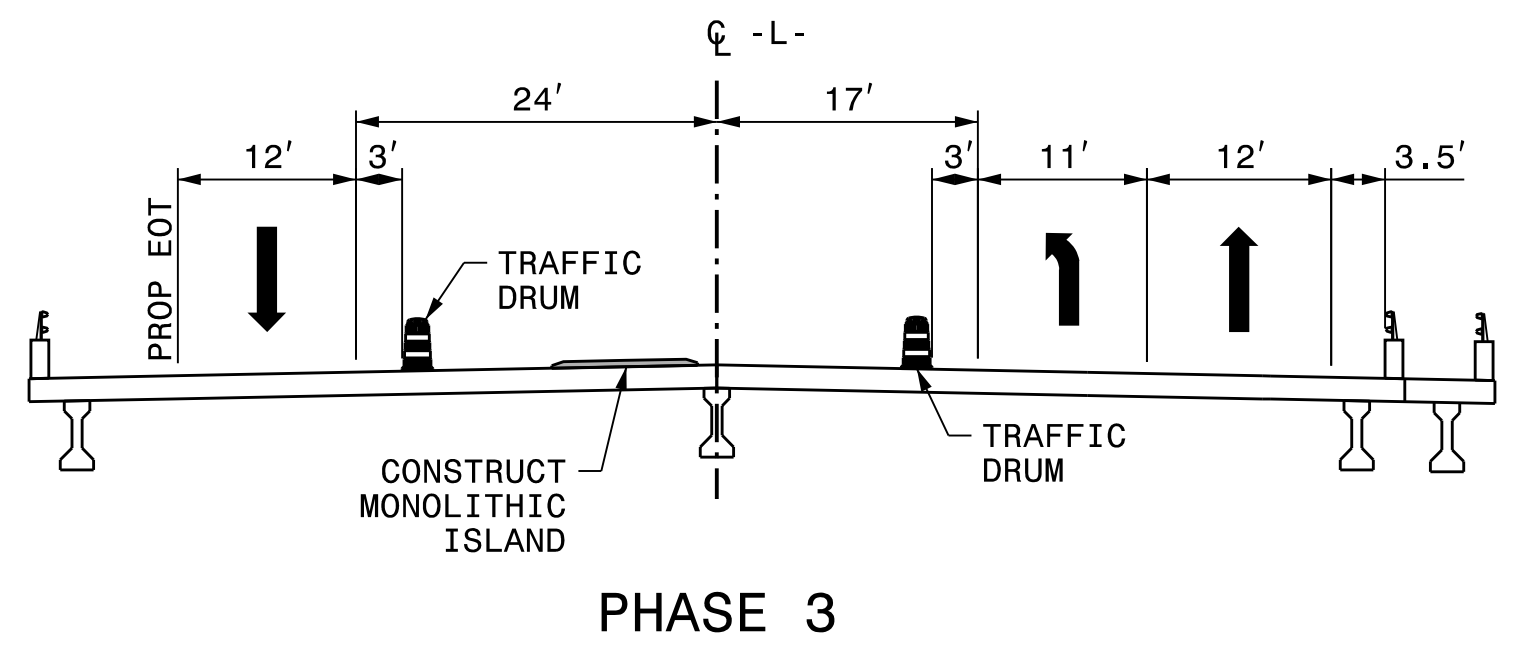
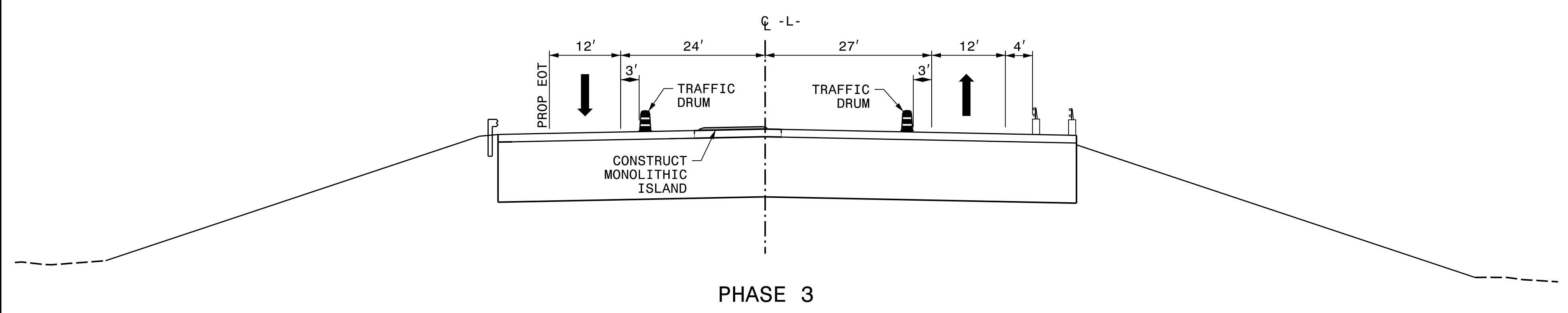
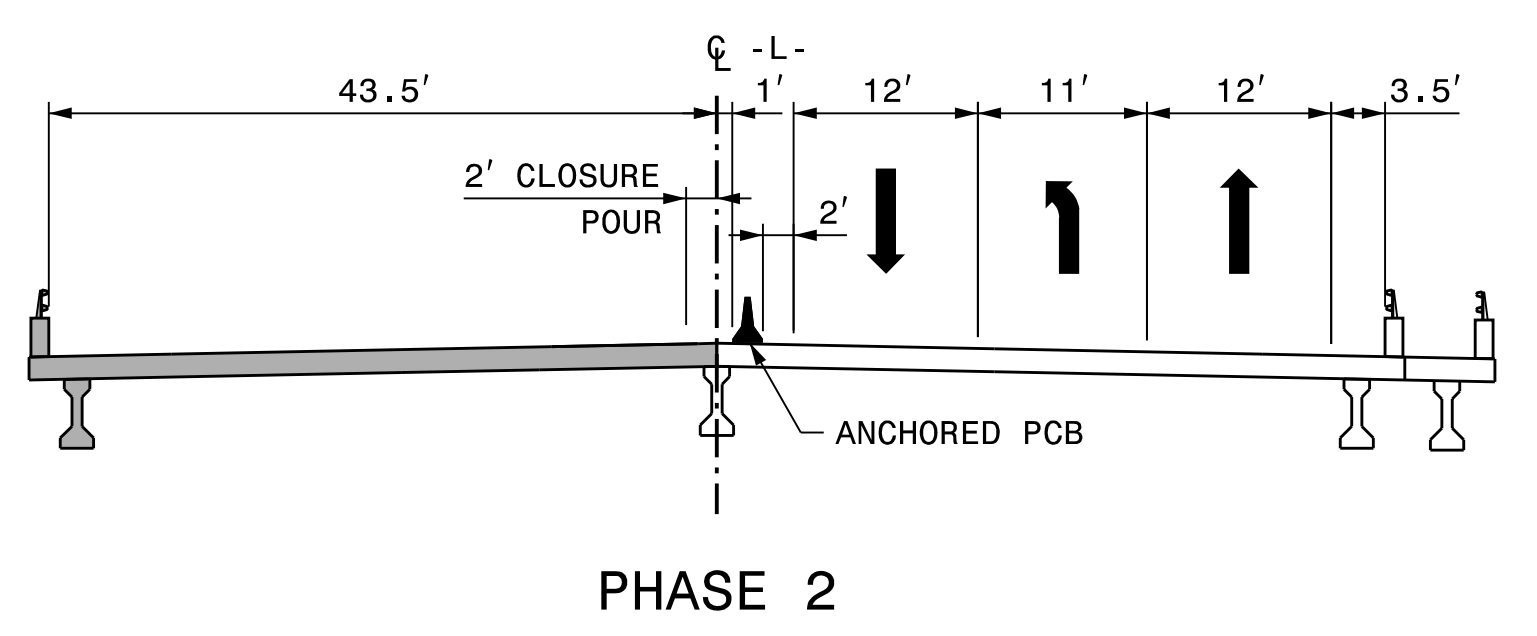
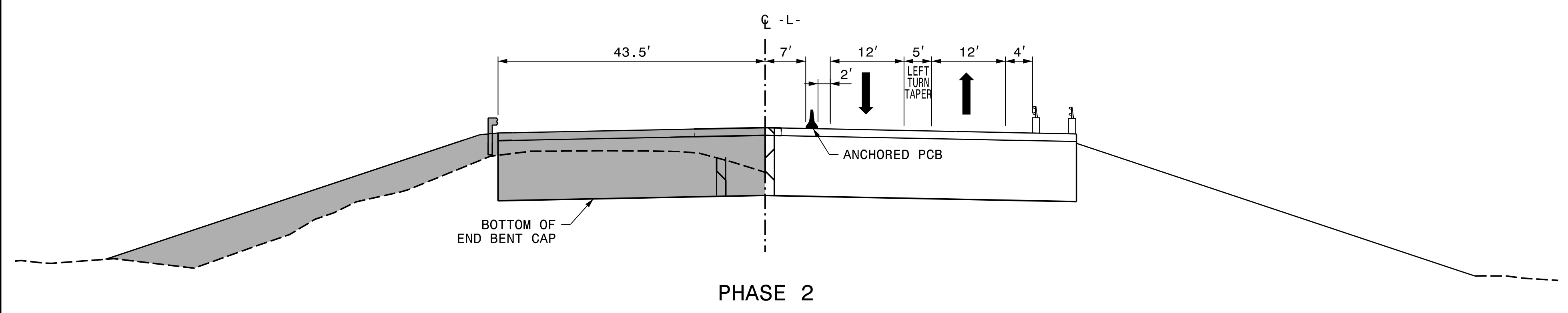
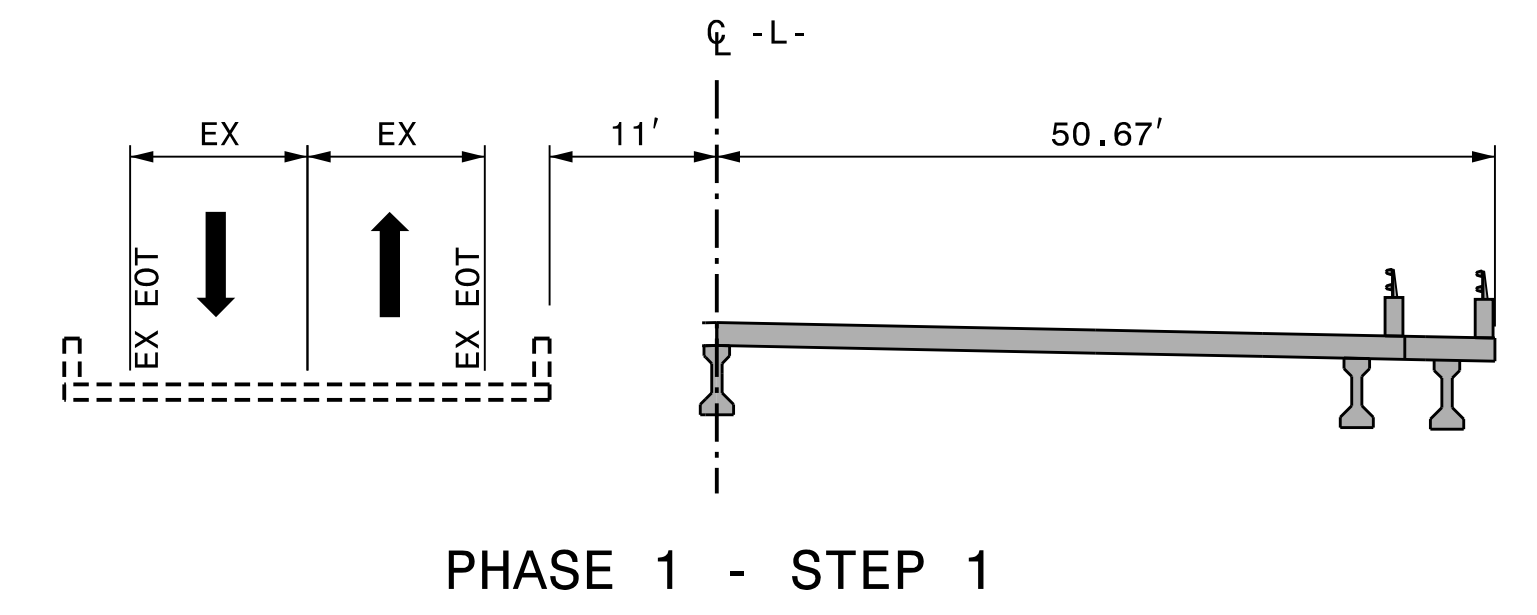
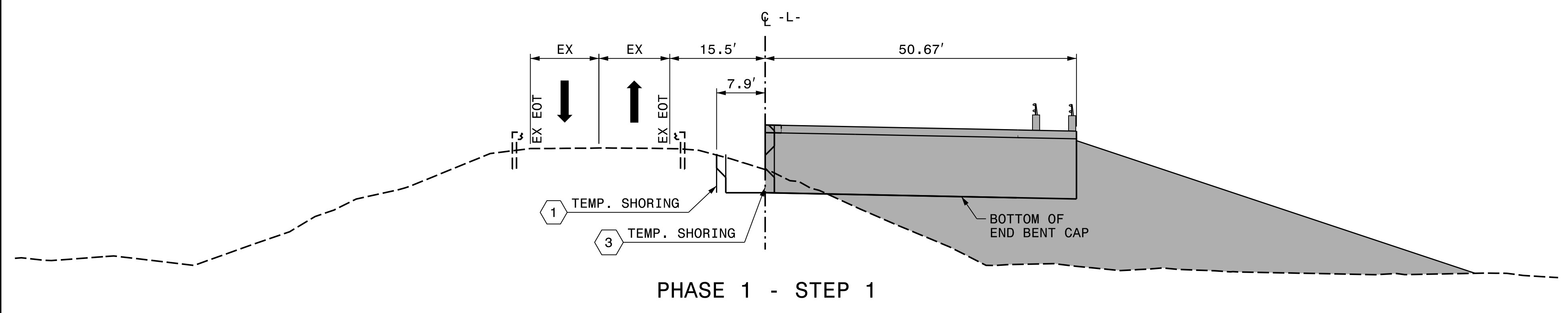


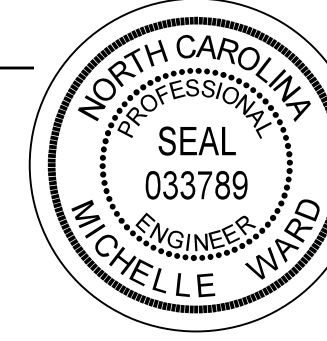
SECTION F-F
-L- STA. 62+20

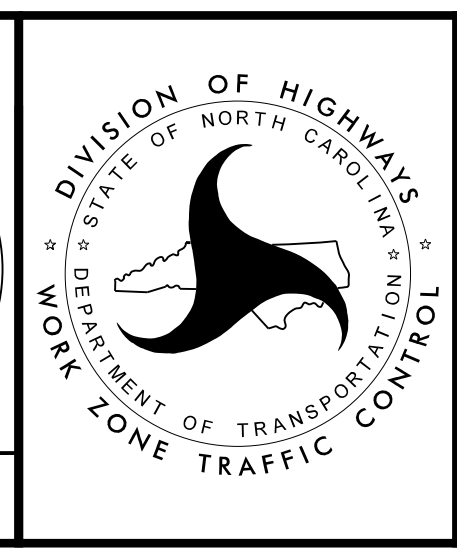
SECTION G-G
-L- STA. 64+50



REVISIONS

PLOT DRIVER: NCDOT_pdf_color_eng_50.plt
 USER: BSCOTT
 DATE: 6/5/2018
 PENTABLE: NCDOT_tcp.tbl
 TIME: 3:14:51 PM
 FILE: pw:\pwhdr\users\01\HDR_US_East_01\Documents\3322\10001376\10051231\6.0_CAD_BIM\6.2_Work_In_Progress\Traffic\TrafficControl\TCP\3825B_Tc_TMP-02E.dgn

APPROVED: *Michelle Ward*
 DATE: 6/6/2018
 SEAL

 DOCUMENT NOT CONSIDERED FINAL
 UNLESS ALL SIGNATURES COMPLETED



CUT SECTIONS