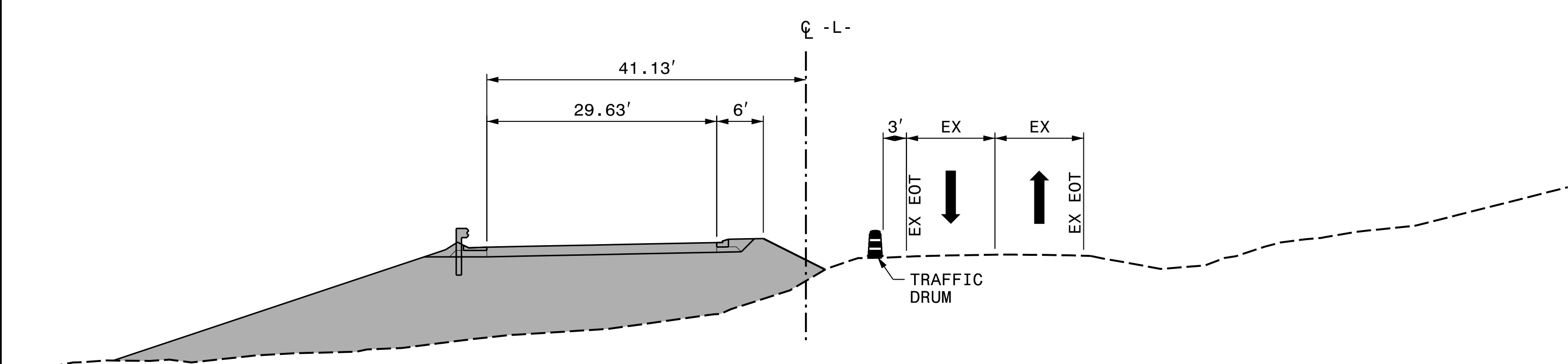
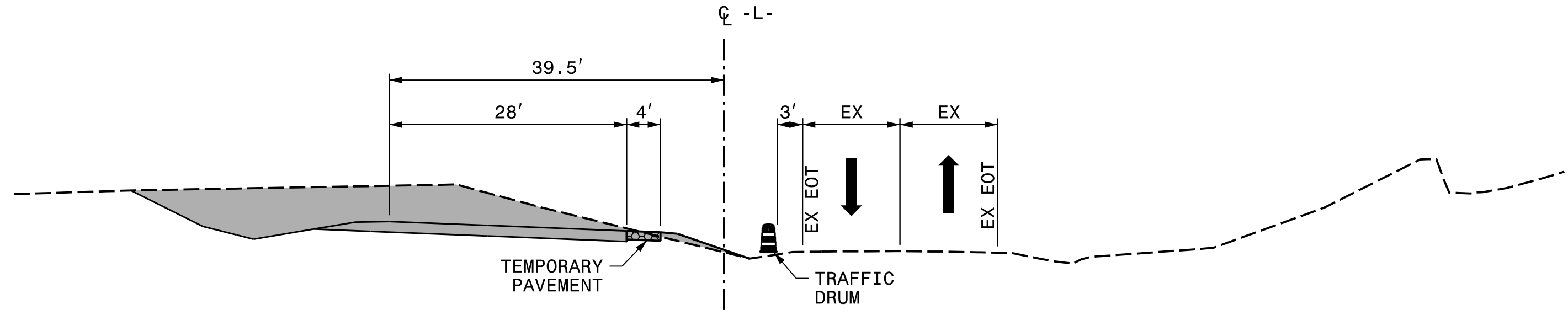


SECTION A-A
-L- STA. 29+00

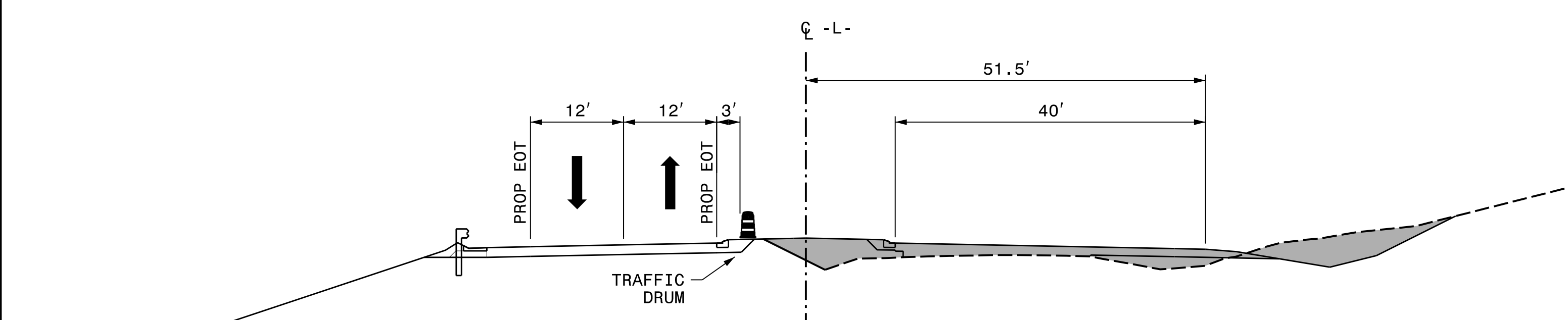
SECTION B-B
-L- STA. 34+50



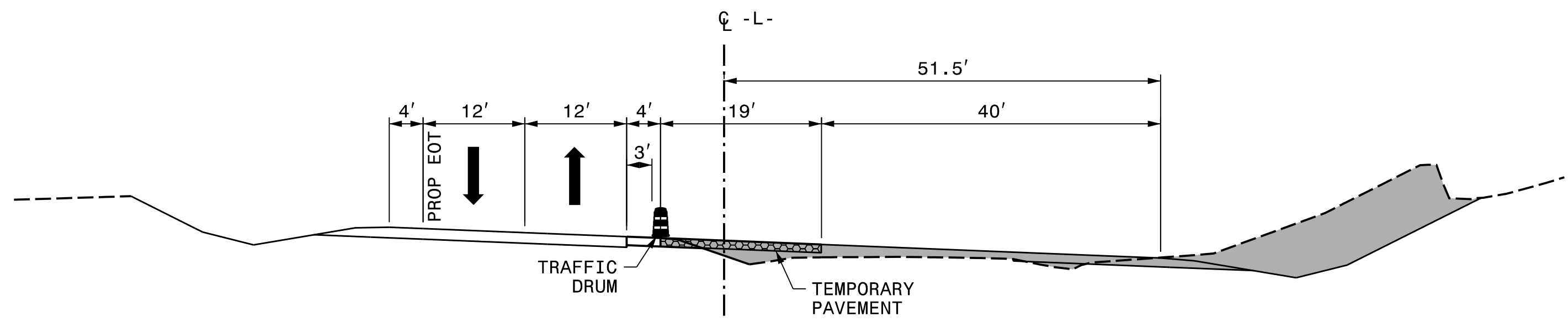
PHASE 1 - STEP 1



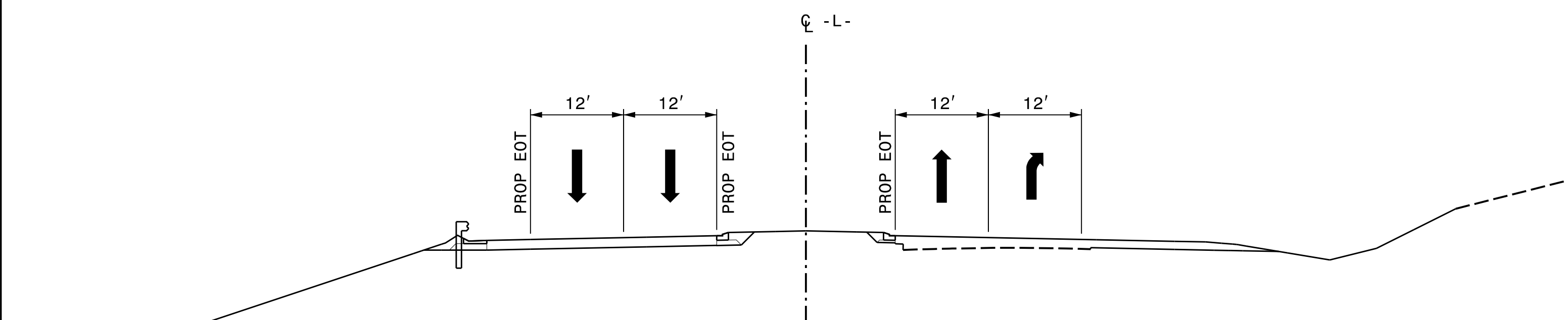
PHASE 1 - STEP 1



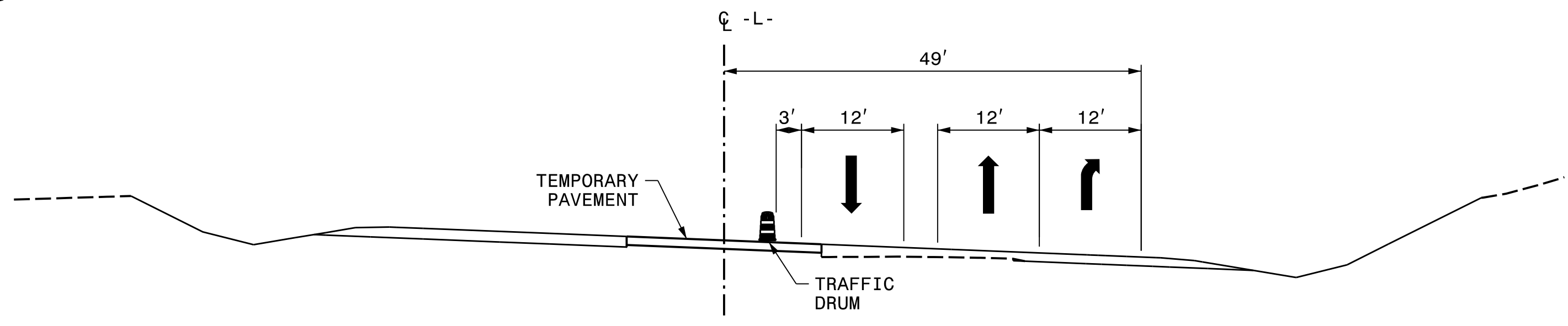
PHASE 1 - STEP 2



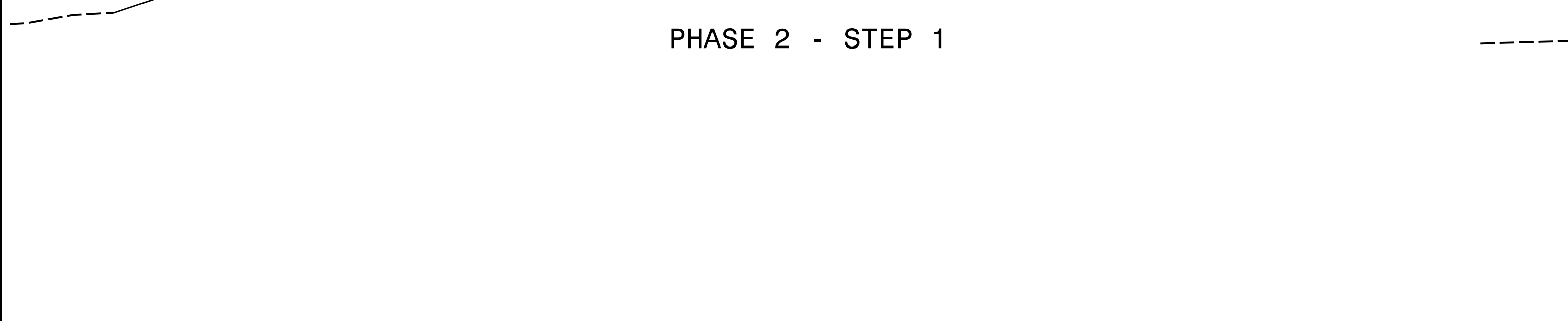
PHASE 1 - STEP 2



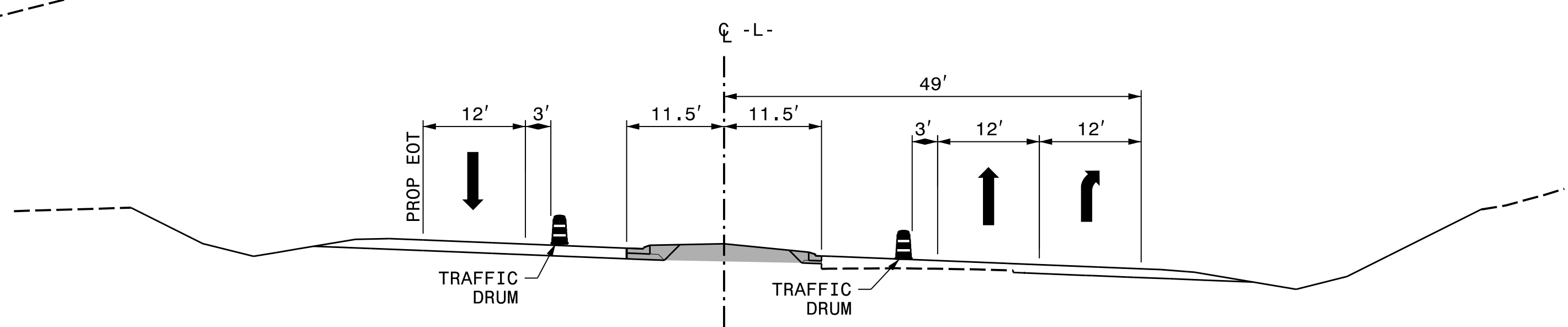
PHASE 2 - STEP 1



PHASE 2 - STEP 1



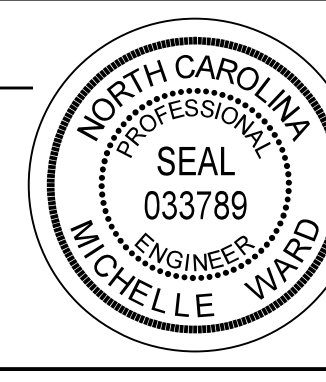
PHASE 2 - STEP 2



PHASE 3

REVISIONS

PLOT DRIVER: NCDOT_pdf_color_eng_50.plt
 USER: BSCOTT
 DATE: 6/5/2018
 PENTABLE: NCDOT_tcp.tbl
 TIME: 3:14:20 PM
 FILE: p:\pwhdr\users\01\hdr\us_east_01\Documents\3322\10001376\10051231\6.0_CAD_BIM\6.2_Work_In_Progress\Traffic\TrafficControl\TCP\R3825B_TC_TMP-02B.dgn

APPROVED: *Michelle Ward*
 DATE: 6/6/2018
 SEAL




CUT SECTIONS

DOCUMENT NOT CONSIDERED FINAL
UNLESS ALL SIGNATURES COMPLETED