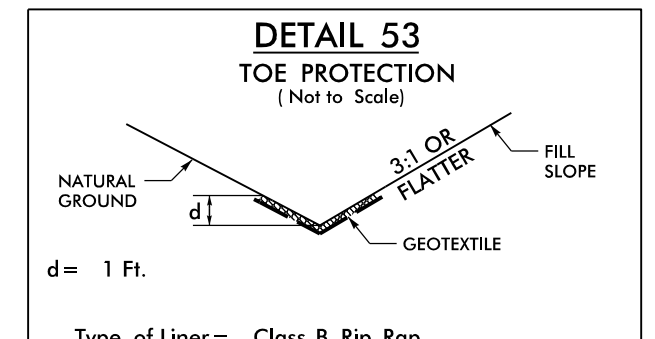
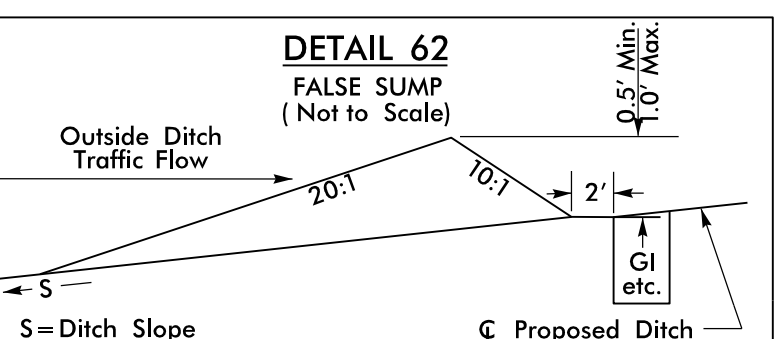
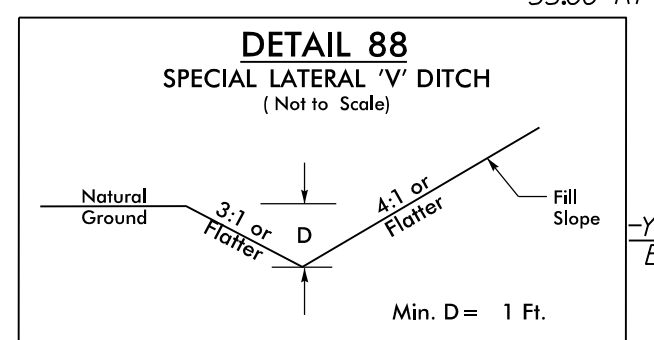
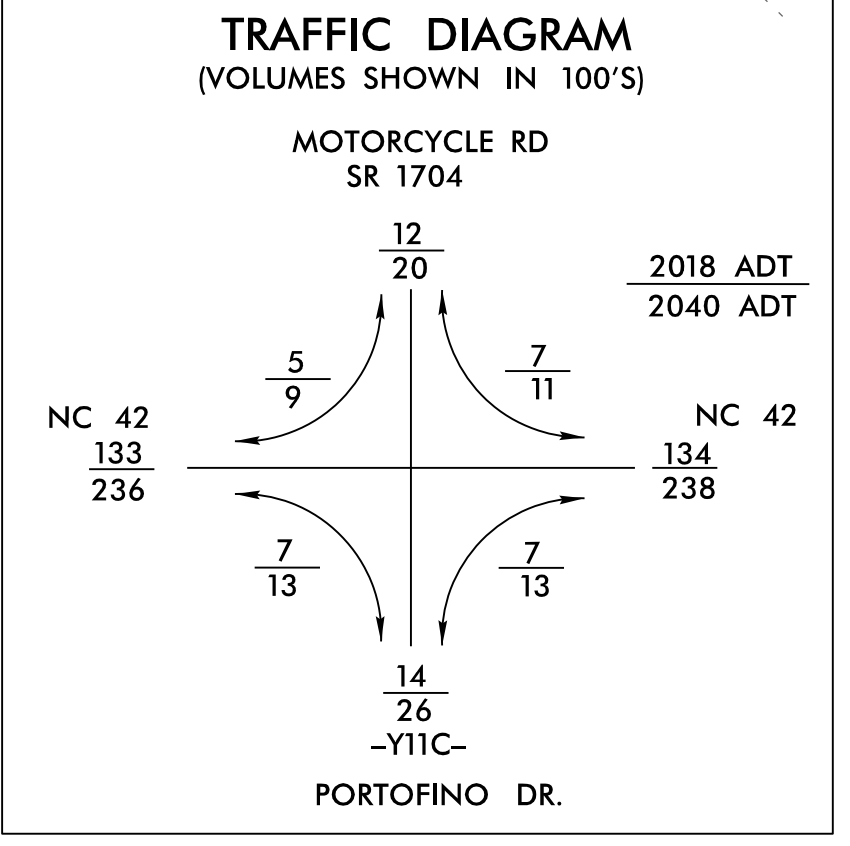
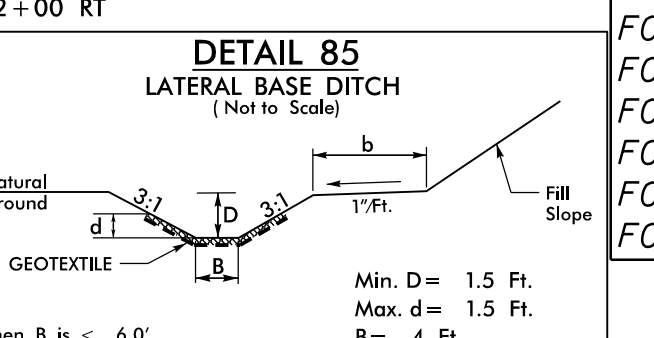
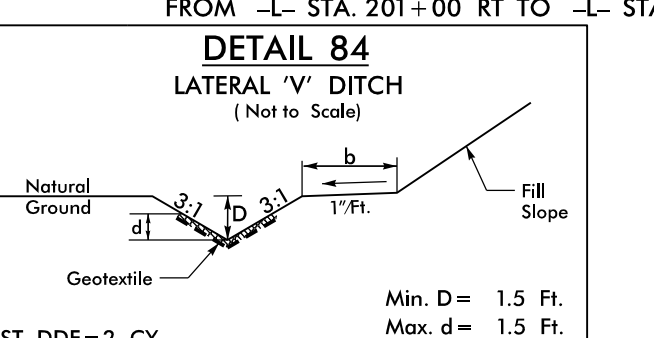
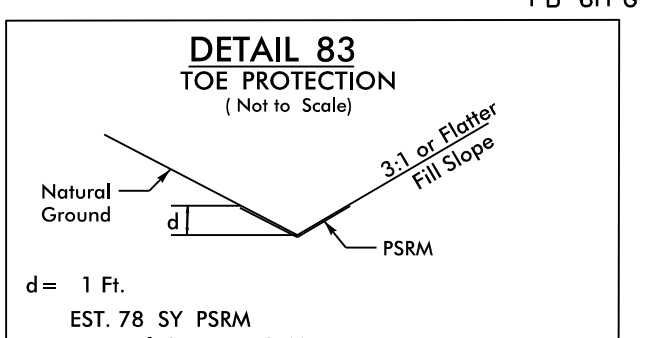
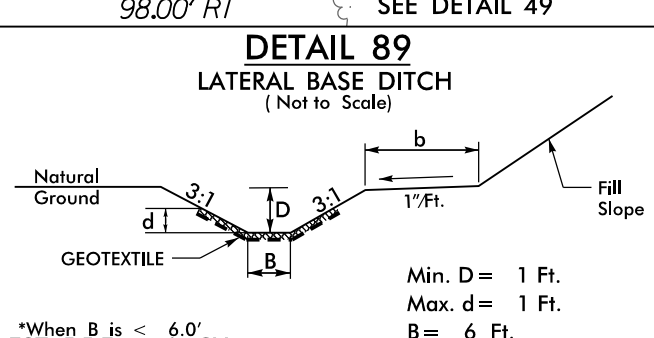
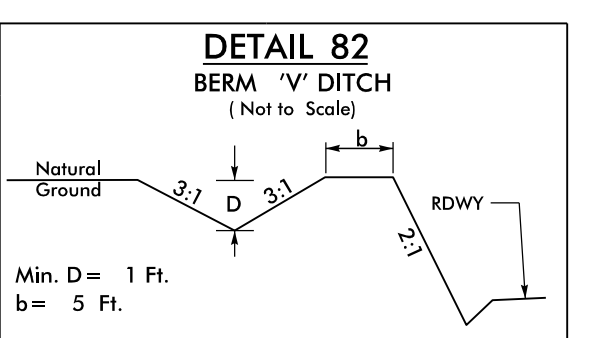
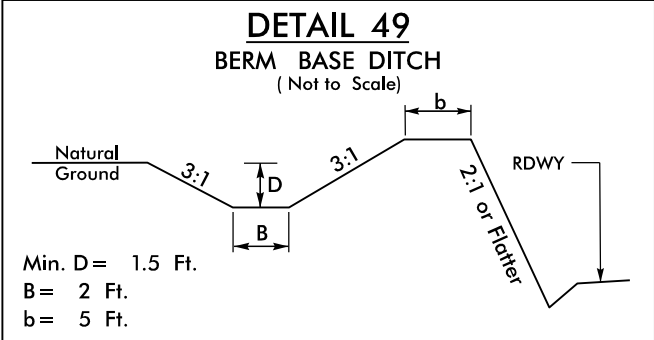
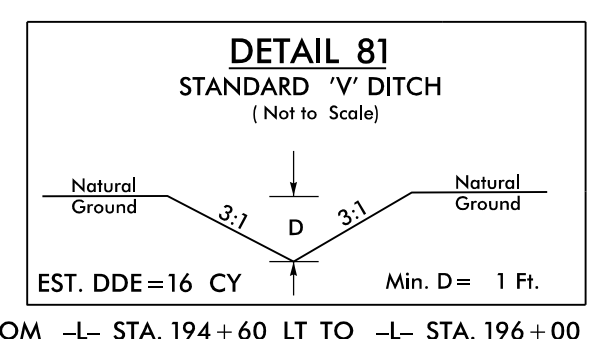
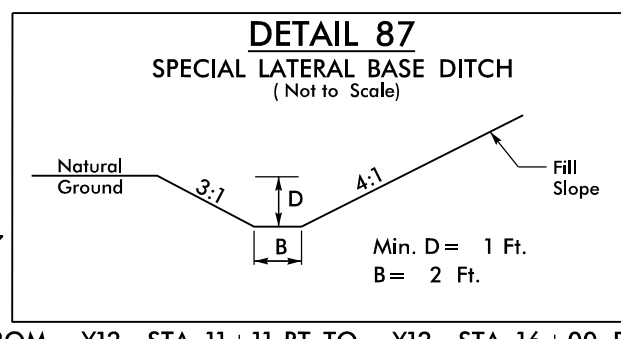
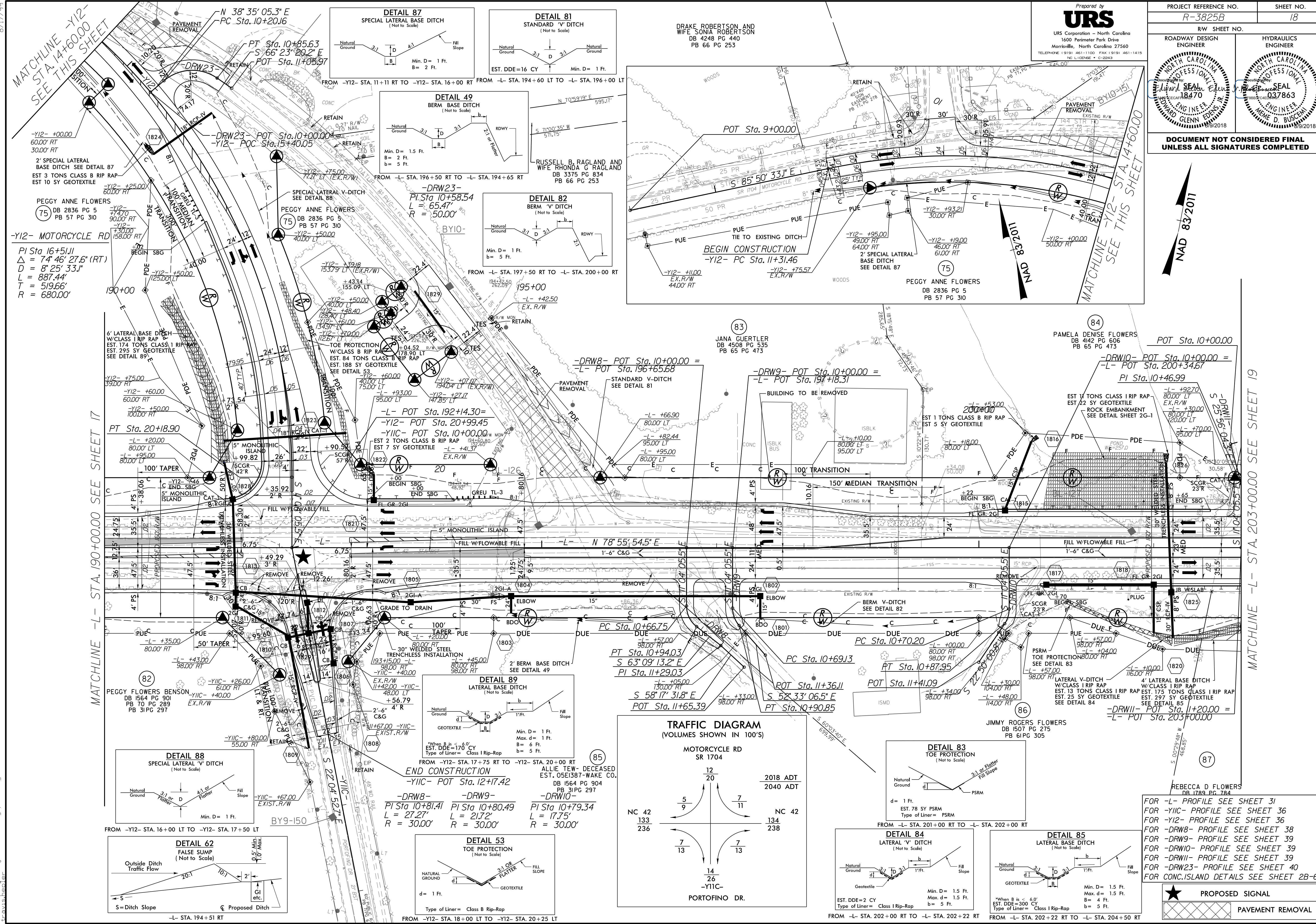


PROJECT REFERENCE NO. R-3825B	SHEET NO. 18
RW SHEET NO.	
ROADWAY DESIGN ENGINEER	HYDRAULICS ENGINEER
DOCUMENT NOT CONSIDERED FINAL UNLESS ALL SIGNATURES COMPLETED	



FOR -L- PROFILE SEE SHEET 31
 FOR -Y11C- PROFILE SEE SHEET 36
 FOR -Y12- PROFILE SEE SHEET 36
 FOR -DRW8- PROFILE SEE SHEET 38
 FOR -DRW9- PROFILE SEE SHEET 39
 FOR -DRW10- PROFILE SEE SHEET 39
 FOR -DRW11- PROFILE SEE SHEET 39
 FOR -DRW23- PROFILE SEE SHEET 40
 FOR CONC. ISLAND DETAILS SEE SHEET 28-6

★ PROPOSED SIGNAL

PAVEMENT REMOVAL

8/17/2018 10:57 AM P:\0325B-r\dj\psh18.dgn
 rj\psh18