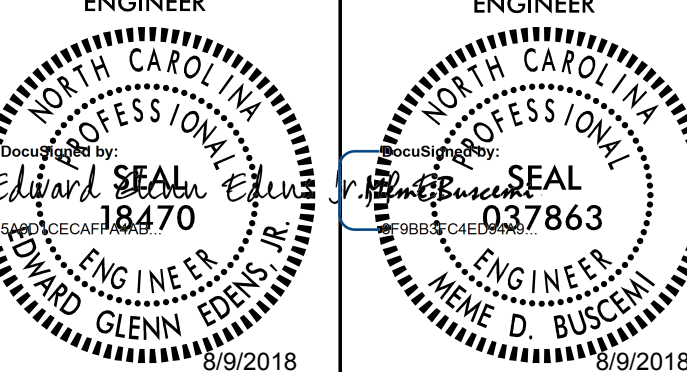


8/17/19

Prepared by  
**URS**  
URS Corporation - North Carolina  
1600 Perimeter Park Drive  
Morrisville, North Carolina 27560  
TELEPHONE: (919) 461-1100 FAX: (919) 461-1415  
NC LIC# 26056 P - C-2243

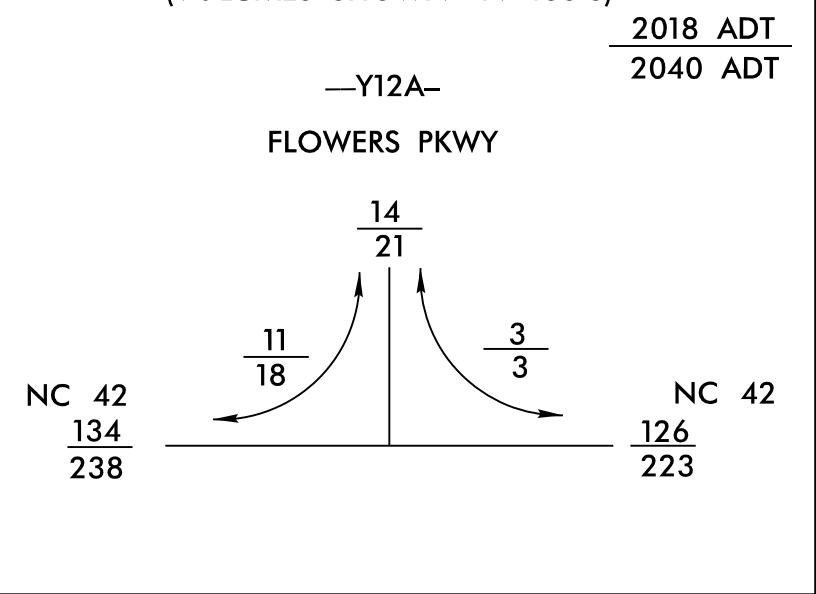
PROJECT REFERENCE NO.	SHEET NO.
R-3825B	20

RW SHEET NO.	
ROADWAY DESIGN ENGINEER	HYDRAULICS ENGINEER

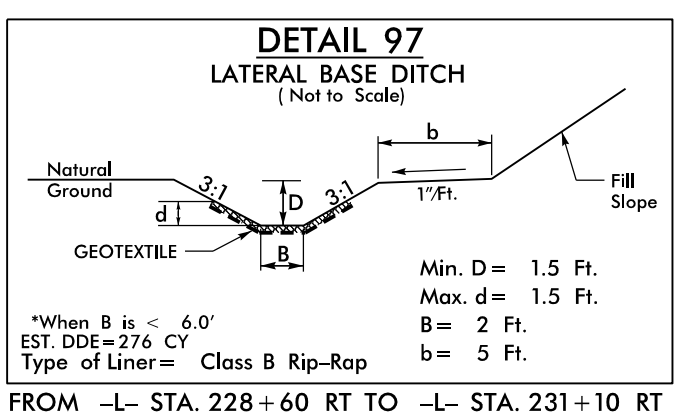
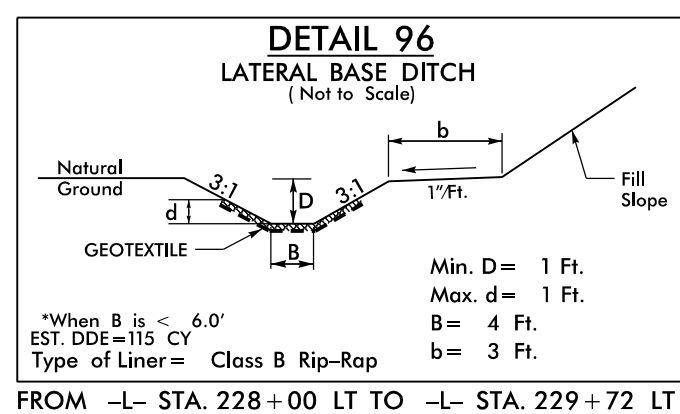
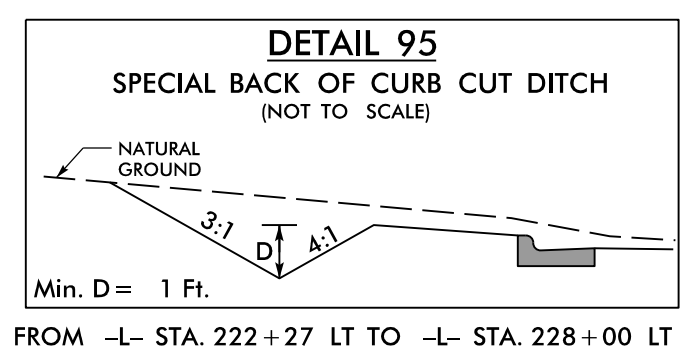


**DOCUMENT NOT CONSIDERED FINAL  
UNLESS ALL SIGNATURES COMPLETED**

### TRAFFIC DIAGRAM (VOLUMES SHOWN IN 100'S)

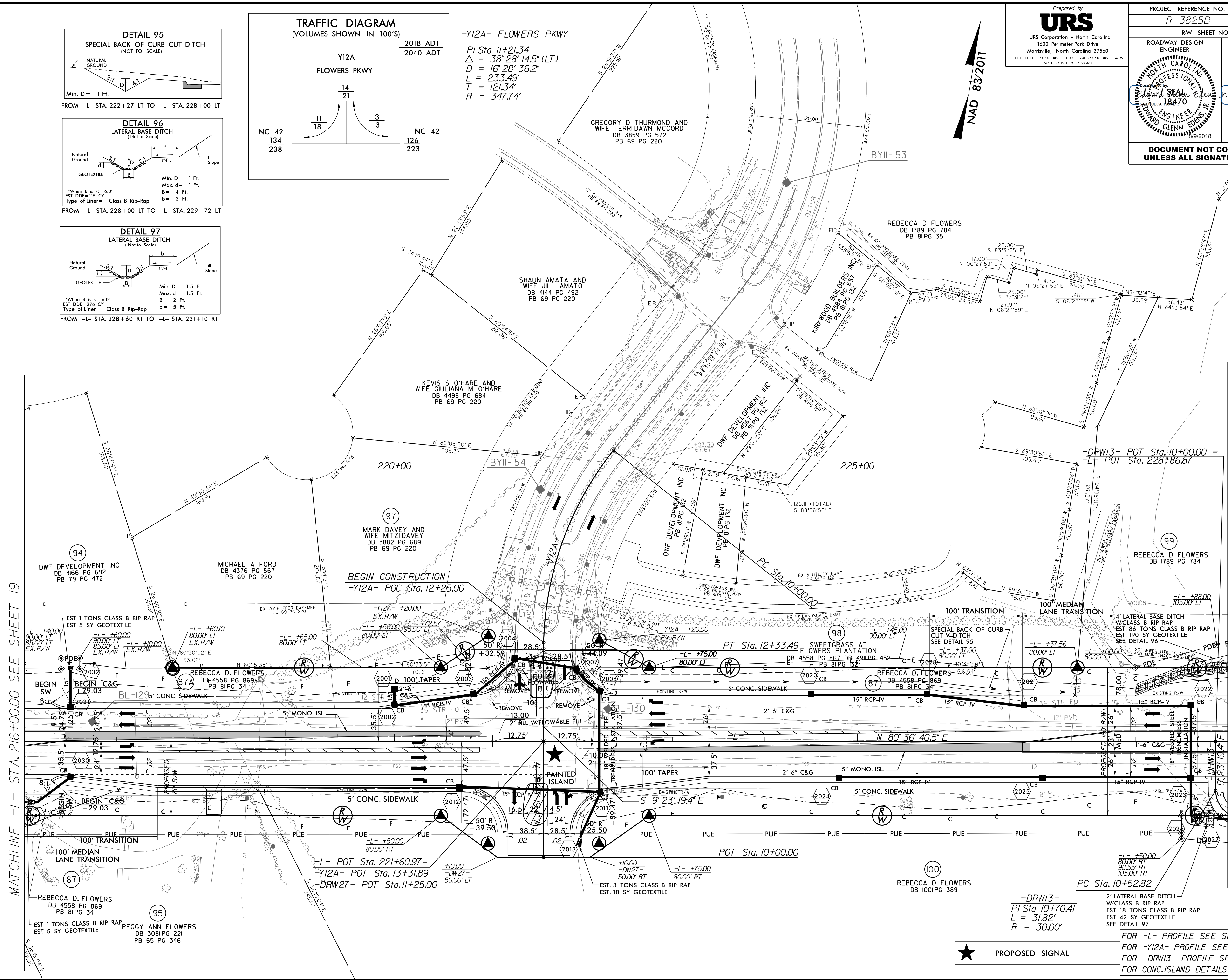


**-Y12A- FLOWERS PKWY**  
PI Sta 11+21.34  
 $\Delta = 38' 28'' 14.5'' (LT)$   
 $D = 16' 28'' 36.2''$   
 $L = 233.49'$   
 $T = 121.34'$   
 $R = 347.74'$



MATCHLINE -L- STA. 216+00.00 SEE SHEET 19

MATCHLINE -L- STA. 229+00.00 SEE SHEET 21



8/17/2018 10:51 AM P:\03825B\_rdu\_psh20.dgn  
Tran:\shenr

REBECCA D. FLOWERS  
DB 4558 PG 869  
PB 81 PG 34

EST 1 TONS CLASS B RIP RAP  
EST 5 SY GEOTEXTILE

PEGGY ANN FLOWERS  
DB 3081 PG 221  
PB 65 PG 346

-DRW13-  
PI Sta 10+70.41  
L = 31.82'  
R = 30.00'

PROPOSED SIGNAL

FOR -L- PROFILE SEE SHEET 32  
FOR -Y12A- PROFILE SEE SHEET 35  
FOR -DRW13- PROFILE SEE SHEET 39  
FOR CONC. ISLAND DETAILS SEE SHEET 2B-6