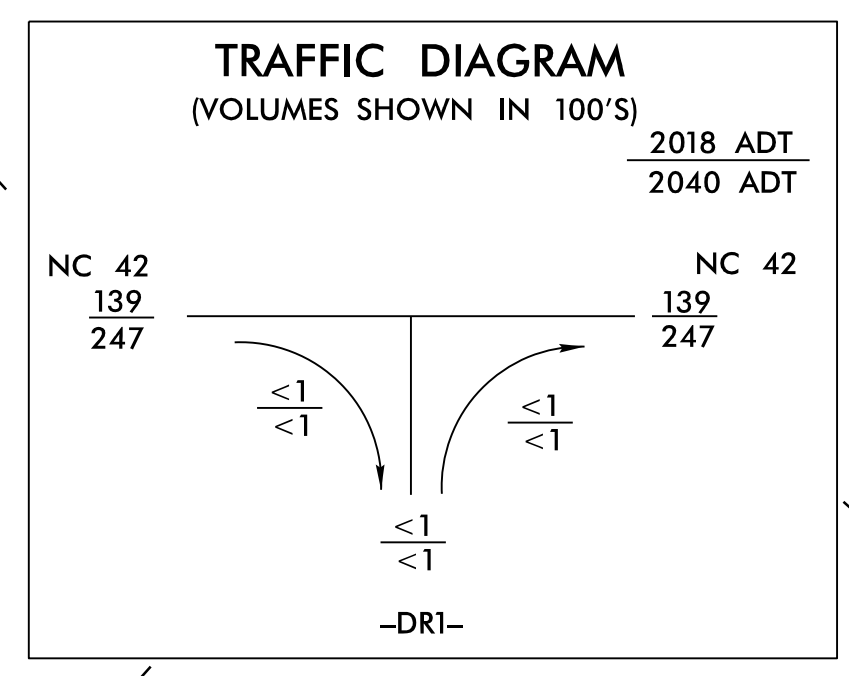
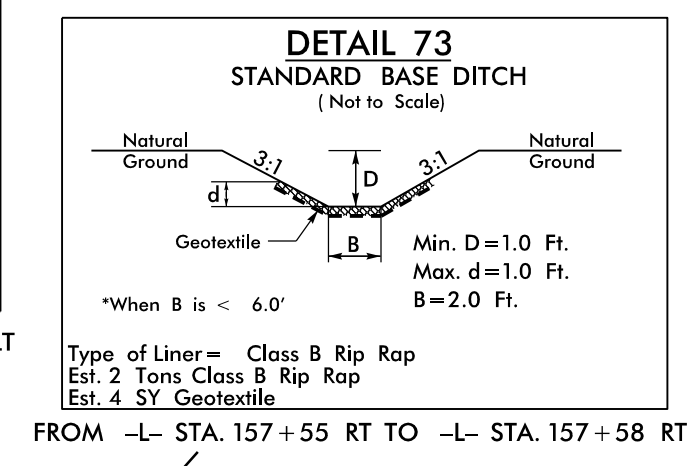
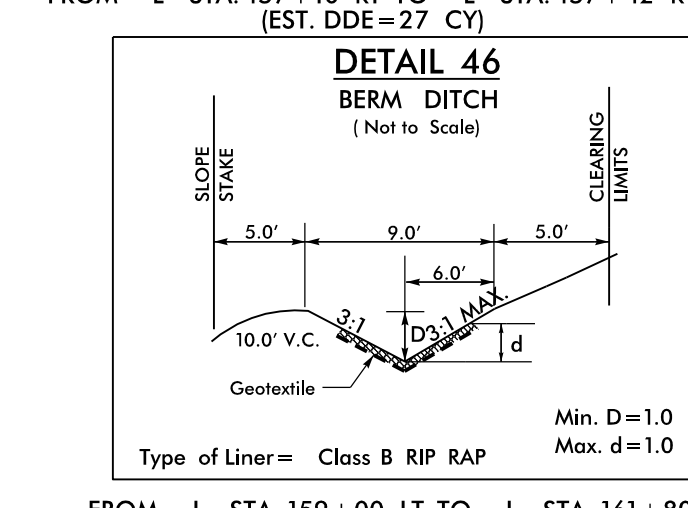
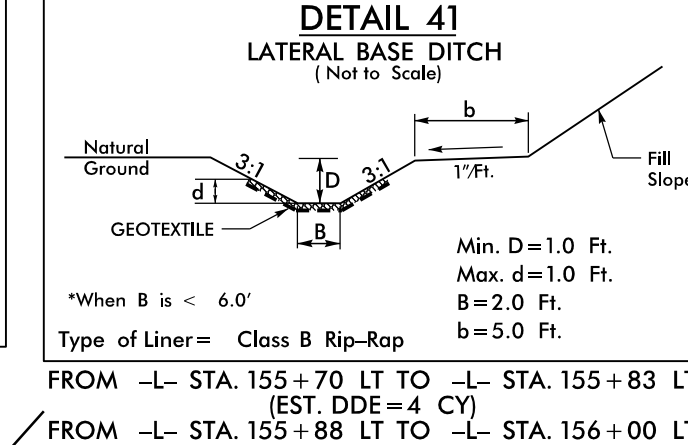
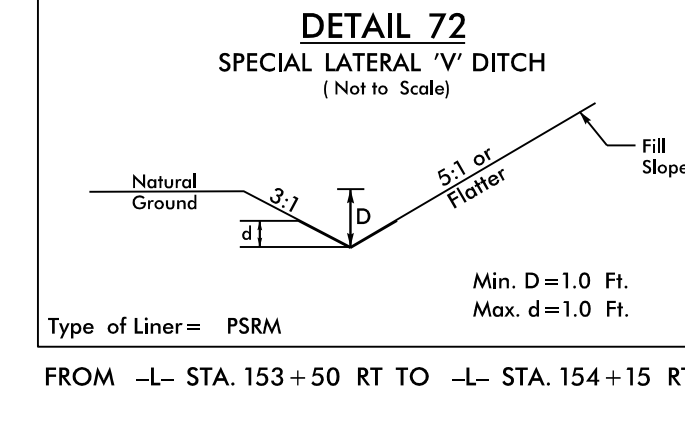
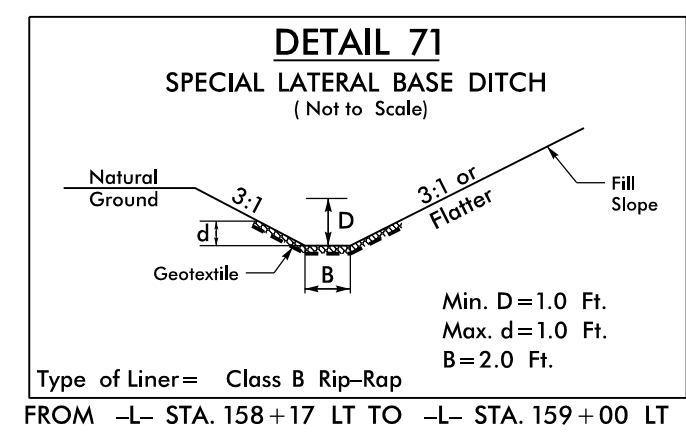
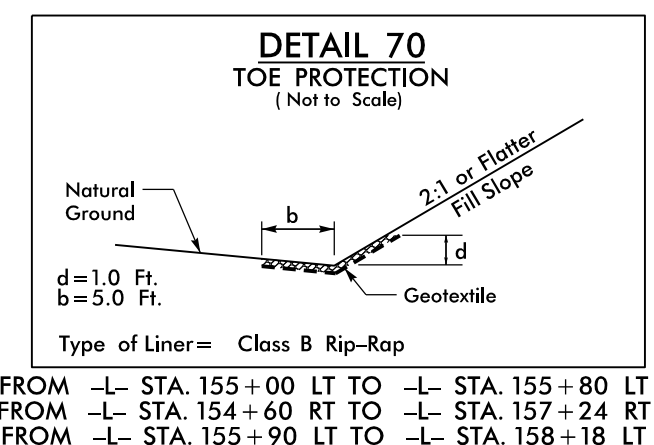


PROJECT REFERENCE NO. R-3825B		SHEET NO. 15	
RW SHEET NO.			
ROADWAY DESIGN ENGINEER		HYDRAULICS ENGINEER	
DOCUMENT NOT CONSIDERED FINAL UNLESS ALL SIGNATURES COMPLETED			



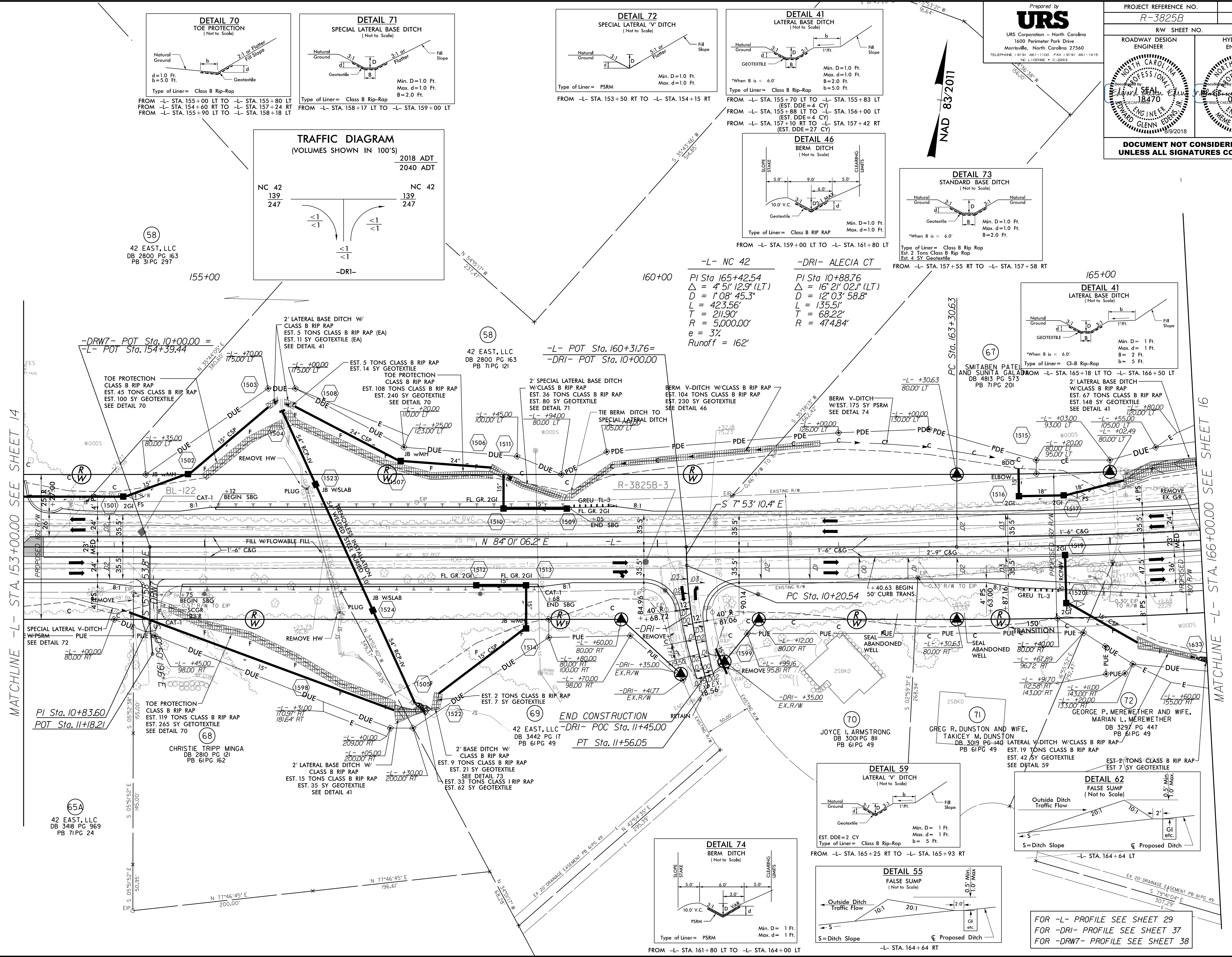
(58)
42 EAST, LLC
DB 2800 PG 163
PB 31PG 297

-L- NC 42
PI Sta 165+42.54
Δ = 4' 5" 12.9" (LT)
D = 1' 08" 45.3"
L = 423.56'
T = 211.90'
R = 5,000.00'
e = 3%
Runoff = 162'

-DRI- ALECIA CT
PI Sta 10+88.76
Δ = 16' 2" 02.1" (LT)
D = 12' 03" 58.8"
L = 135.51'
T = 68.22'
R = 474.84'

MATCHLINE -L- STA. 153+00.00 SEE SHEET 14

MATCHLINE -L- STA. 166+00.00 SEE SHEET 16



PI Sta. 10+83.60
POT Sta. 11+18.21

TOE PROTECTION CLASS B RIP RAP EST. 119 TONS CLASS B RIP RAP EST. 265 SY GEOTEXTILE SEE DETAIL 70

(68)
CHRISTIE TRIPP MINGA
DB 2810 PG 121
PB 61PG 162

2' LATERAL BASE DITCH W/ CLASS B RIP RAP EST. 15 TONS CLASS B RIP RAP EST. 35 SY GEOTEXTILE SEE DETAIL 41

2' BASE DITCH W/ CLASS B RIP RAP EST. 9 TONS CLASS B RIP RAP EST. 21 SY GEOTEXTILE SEE DETAIL 73

2' SPECIAL LATERAL BASE DITCH W/ CLASS B RIP RAP EST. 36 TONS CLASS B RIP RAP EST. 80 SY GEOTEXTILE SEE DETAIL 71

2' LATERAL BASE DITCH W/ CLASS B RIP RAP EST. 5 TONS CLASS B RIP RAP EST. 11 SY GEOTEXTILE SEE DETAIL 41

2' SPECIAL LATERAL BASE DITCH W/ CLASS B RIP RAP EST. 14 SY GEOTEXTILE SEE DETAIL 71

2' LATERAL BASE DITCH W/ CLASS B RIP RAP EST. 108 TONS CLASS B RIP RAP EST. 240 SY GEOTEXTILE SEE DETAIL 70

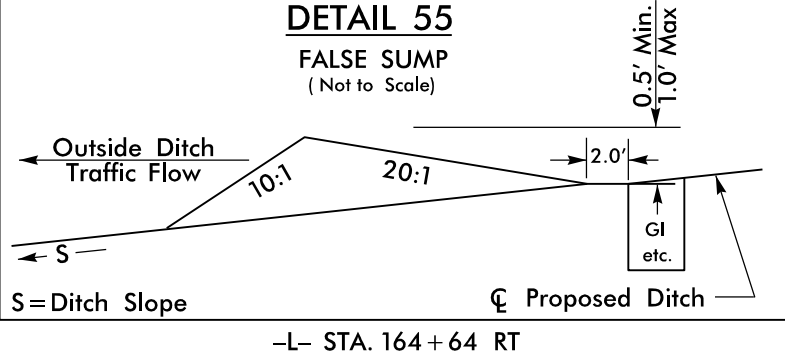
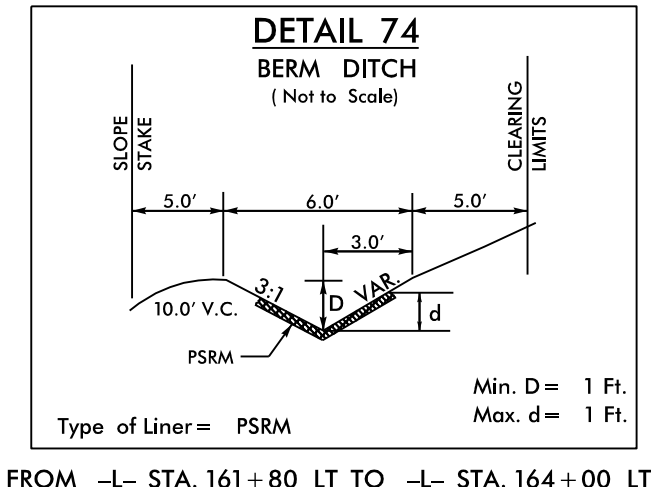
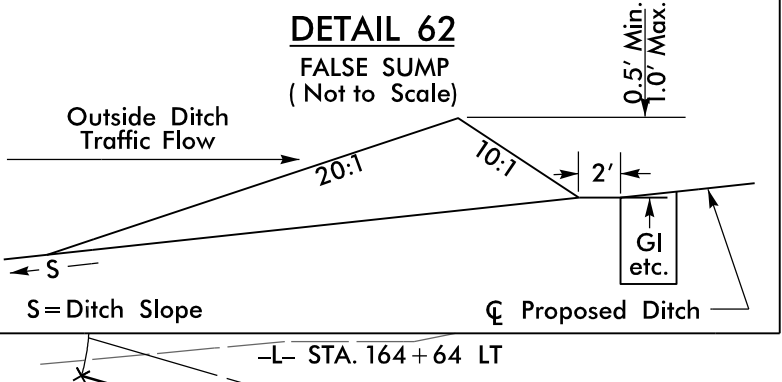
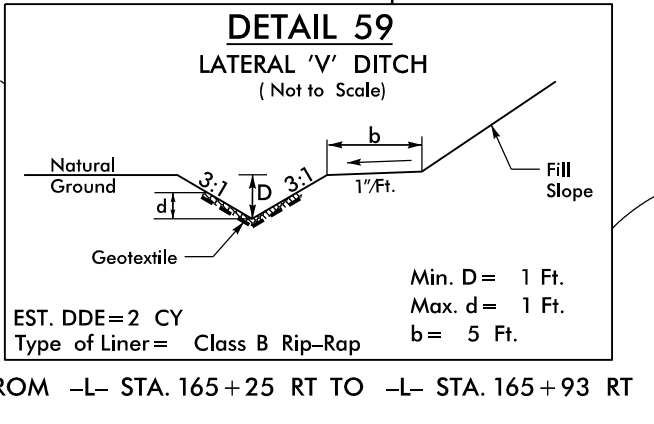
2' SPECIAL LATERAL BASE DITCH W/ CLASS B RIP RAP EST. 36 TONS CLASS B RIP RAP EST. 80 SY GEOTEXTILE SEE DETAIL 71

BERM V-DITCH W/ CLASS B RIP RAP EST. 104 TONS CLASS B RIP RAP EST. 230 SY GEOTEXTILE SEE DETAIL 46

BERM V-DITCH W/ WEST. 175 SY PSRM SEE DETAL 74

2' LATERAL BASE DITCH W/ CLASS B RIP RAP EST. 67 TONS CLASS B RIP RAP EST. 148 SY GEOTEXTILE SEE DETAIL 41

42 EAST, LLC
DB 3442 PG 17
PB 61PG 49



FOR -L- PROFILE SEE SHEET 29
FOR -DRI- PROFILE SEE SHEET 37
FOR -DRIW- PROFILE SEE SHEET 38