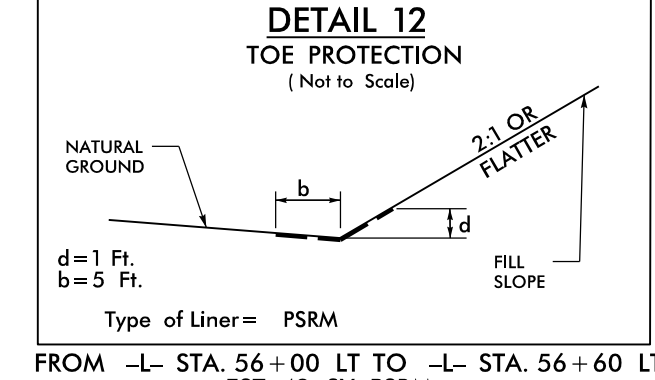
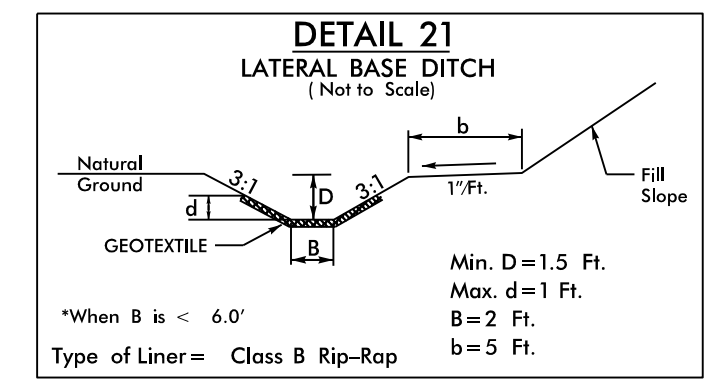
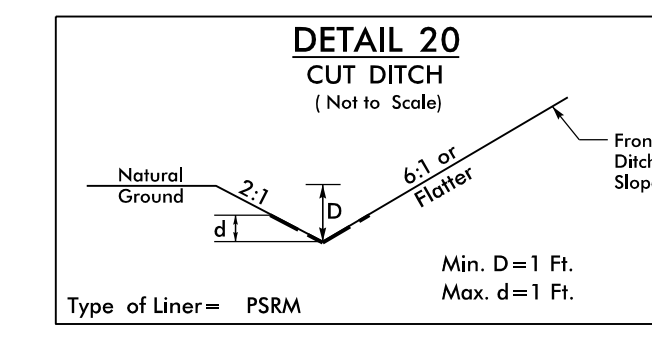
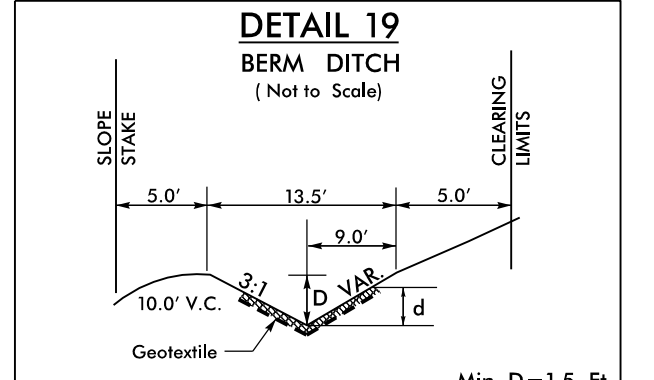
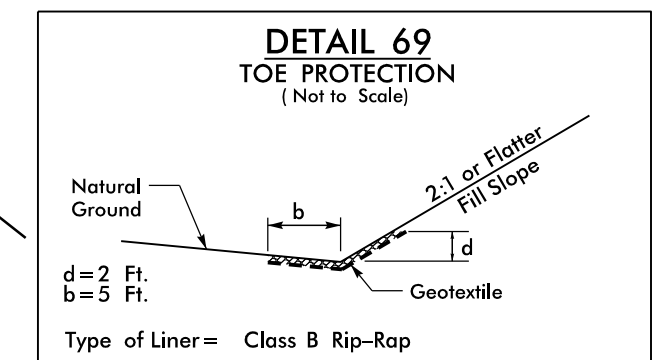
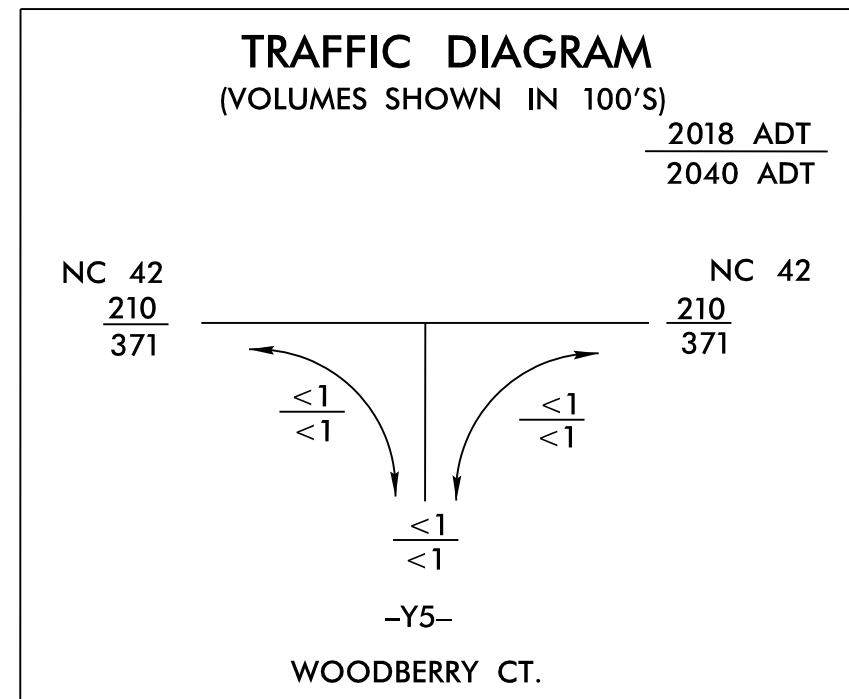
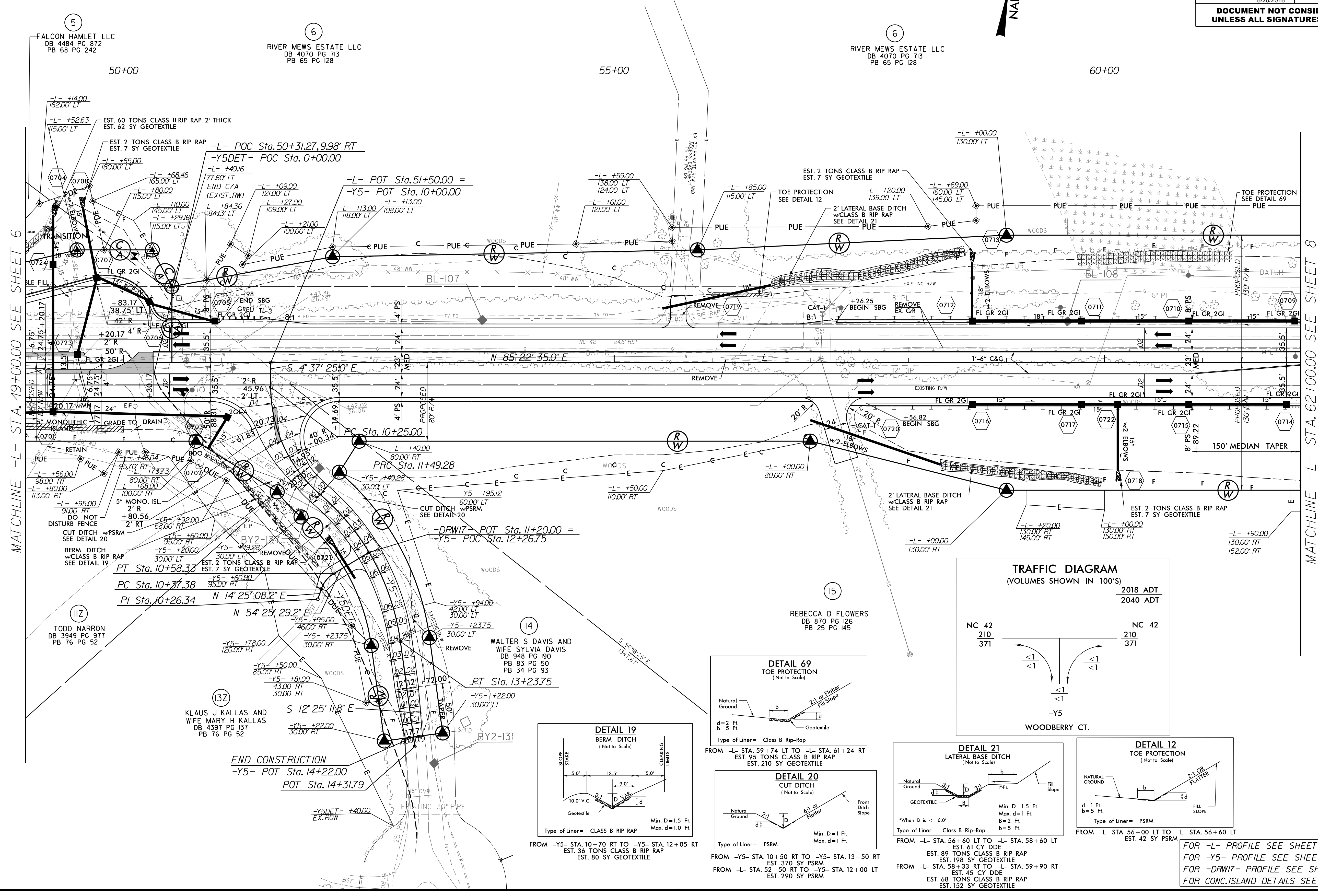
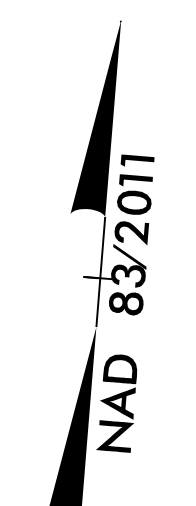


-Y5- WOODBERRY CT

PI Sta 10+91.31	PI Sta 12+40.57	-DRW17-
$\Delta = 49^{\circ} 26' 53.2" (LT)$	$\Delta = 41^{\circ} 39' 06.4" (RT)$	PI Sta 10+48.30
D = 39' 47" 19.4"	D = 23' 52" 23.7"	L = 20.95'
L = 124.28'	L = 174.47'	R = 300.00'
T = 66.31'	T = 91.29'	
R = 144.00'	R = 240.00'	



FOR -L- PROFILE SEE SHEET 25
 FOR -Y5- PROFILE SEE SHEET 33
 FOR -DRW17- PROFILE SEE SHEET 40
 FOR CONC. ISLAND DETAILS SEE SHEET 2B-4