
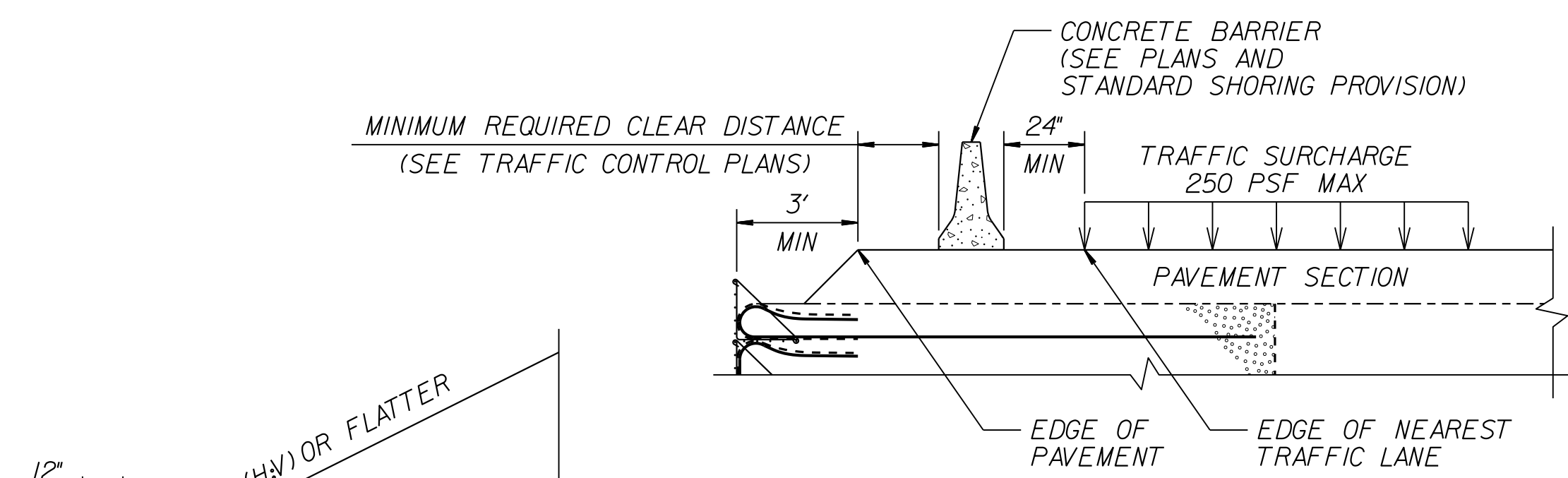
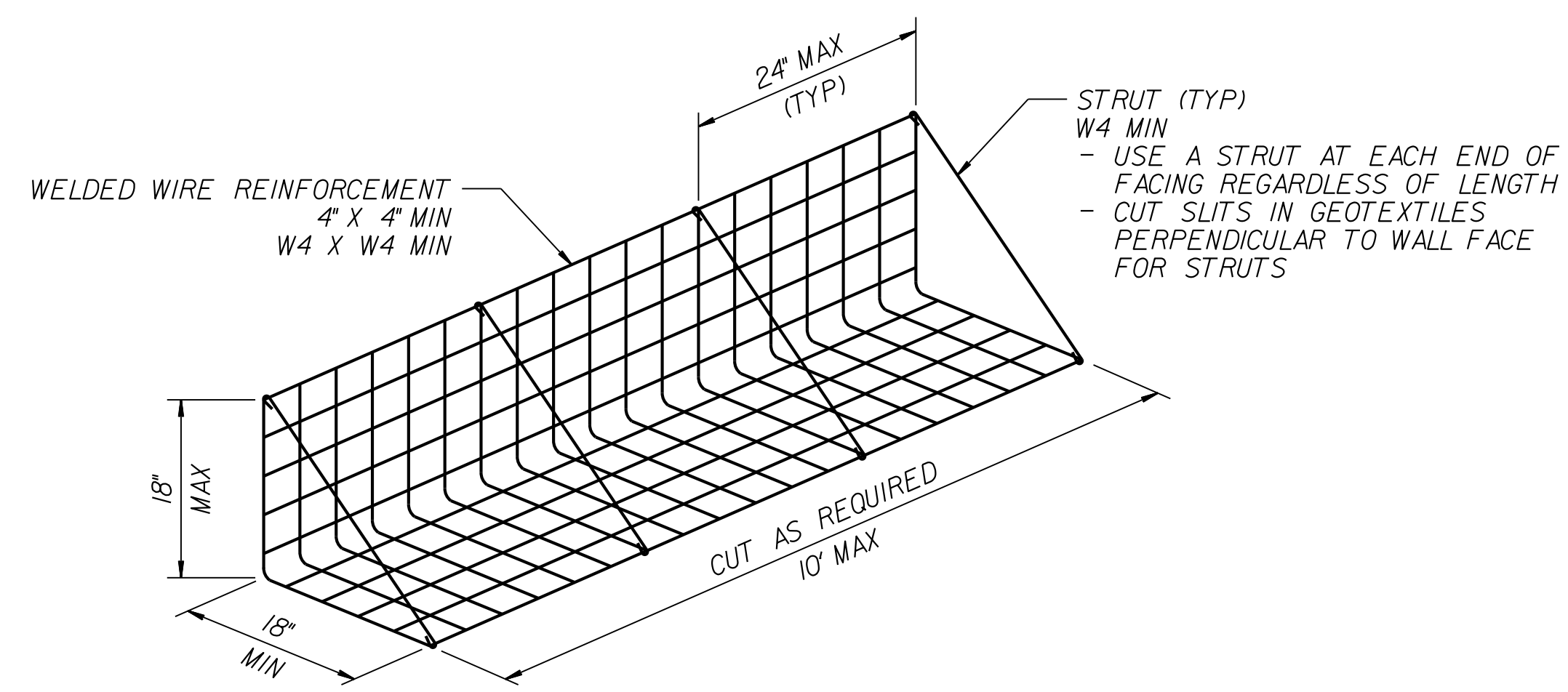


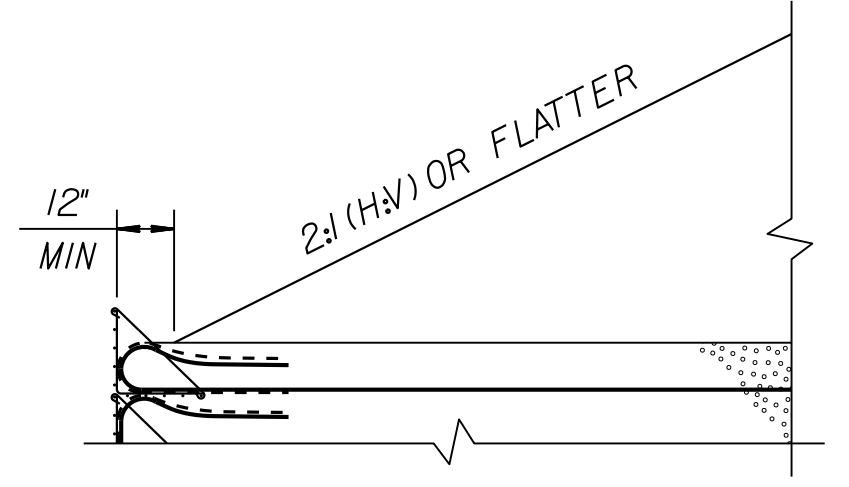
<b>PROJECT REFERENCE NO.</b> R-3825B	<b>SHEET NO.</b> 2G-4
GEOTECHNICAL ENGINEER  Scott A. Hadden 5/21/2018	ENGINEER _____ DATE
<b>DOCUMENT NOT CONSIDERED FINAL UNLESS ALL SIGNATURES COMPLETED</b>	



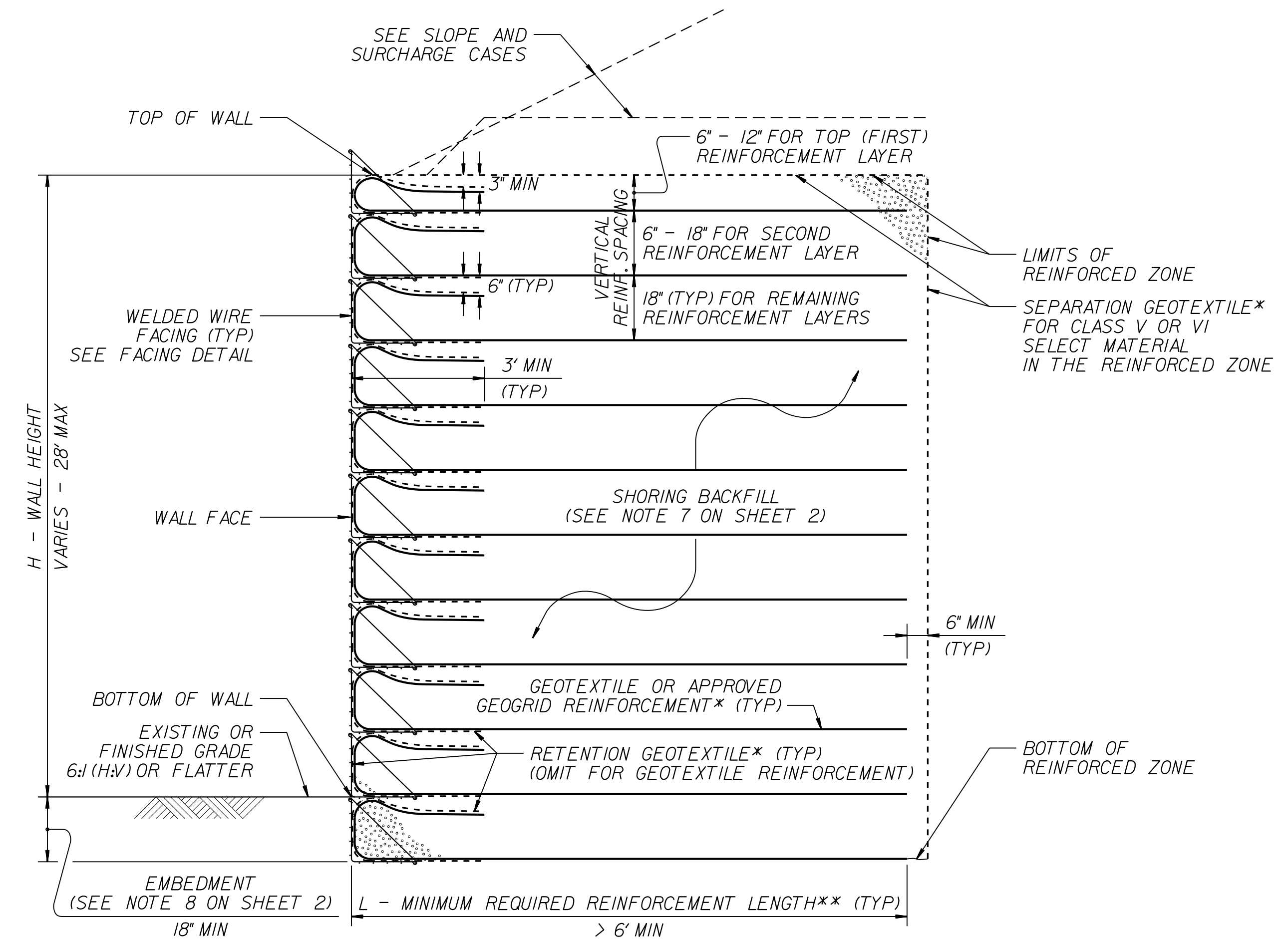
**SURCHARGE CASE**



**FACING DETAIL**

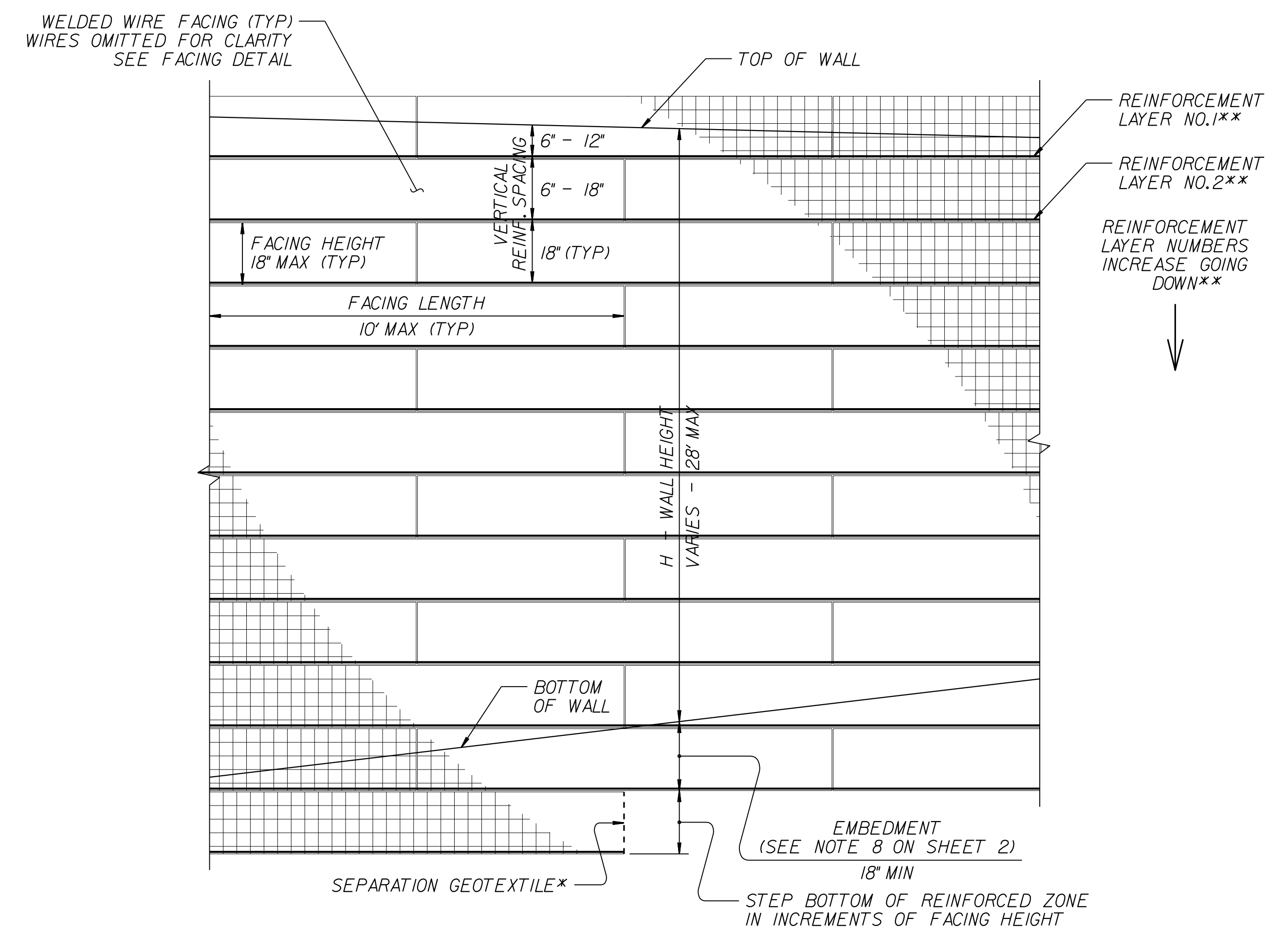


**SLOPE CASE**



**STANDARD TEMPORARY WALL**

(FOR STANDARD TEMPORARY WALLS ON STRUCTURES, SEE TEMPORARY WALL ON STRUCTURE DETAIL ON SHEET 2.)  
 \*SEE GEOSYNTHETIC PLACEMENT DETAILS ON SHEET 2.  
 \*\*SEE REINFORCEMENT TABLES ON SHEET 3.



**STANDARD TEMPORARY WALL – PARTIAL ELEVATION**

\*SEE GEOSYNTHETIC PLACEMENT DETAILS ON SHEET 2.  
 \*\*SEE REINFORCEMENT TABLES ON SHEET 3.



NORTH CAROLINA  
 DEPARTMENT OF TRANSPORTATION  
 DIVISION OF HIGHWAYS  
**GEOTECHNICAL  
 ENGINEERING UNIT**

STANDARD DETAIL NO. 1801.02

STANDARD  
 TEMPORARY WALL  
 SHEET 1 OF 3