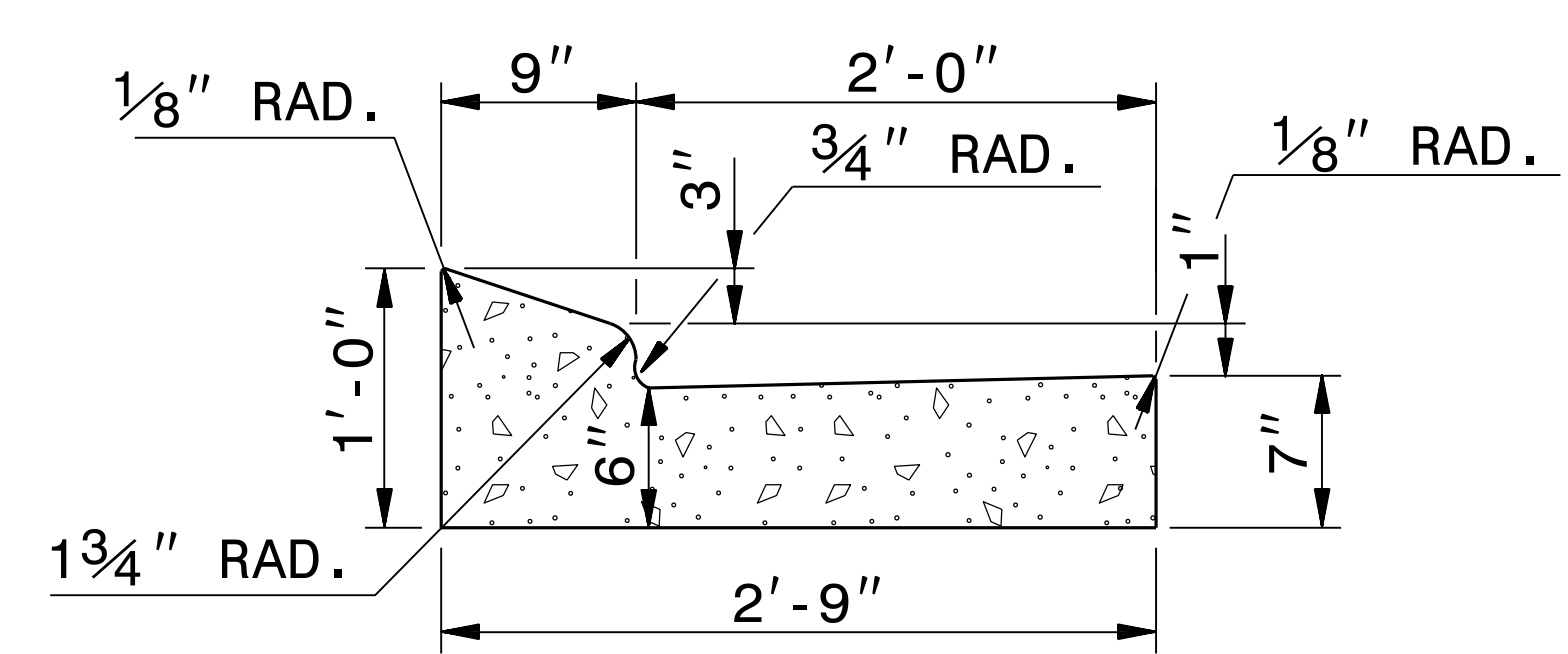


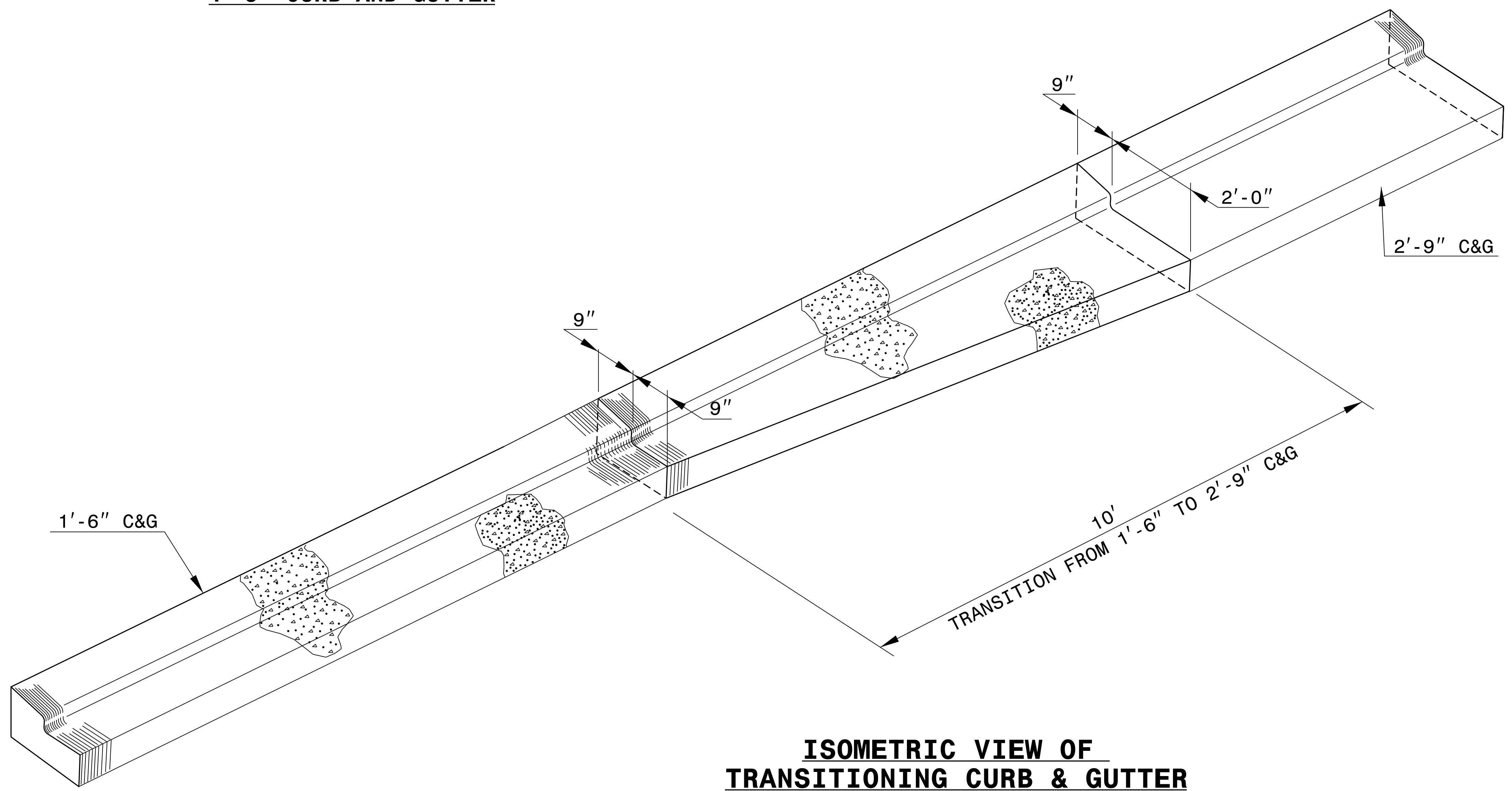
**1'-6" CURB AND GUTTER**



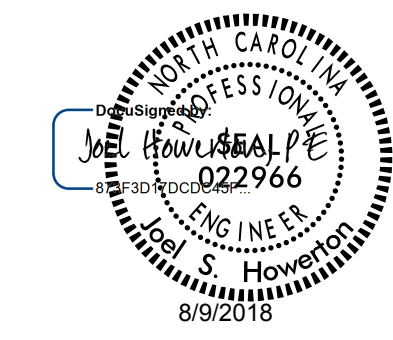
**2'-9" CURB AND GUTTER**

NOTE: SEE STD. DWG. 846.01 FOR ADDITIONAL CURB AND GUTTER INFORMATION.

SEE ROADWAY PLANS FOR LOCATION OF CURB TRANSITION.



**ISOMETRIC VIEW OF  
TRANSITIONING CURB & GUTTER**



DOCUMENT NOT CONSIDERED FINAL  
UNLESS ALL SIGNATURES COMPLETED

**CONTRACT STANDARDS  
AND DEVELOPMENT UNIT**  
Office 919-707-6950 FAX 919-250-4119

**DETAIL OF 1'-6"  
TO 2'-9" CURB & GUTTER  
TRANSITION SECTION**

ORIGINAL BY: T.S.SPELL DATE: NOV. 26, 2001  
 MODIFIED BY: T.S.SPELL DATE: JAN. 23, 2007  
 CHECKED BY: DATE:  
 FILE SPEC.: DS174:/usr/details/stand/cotrtransit.dgn