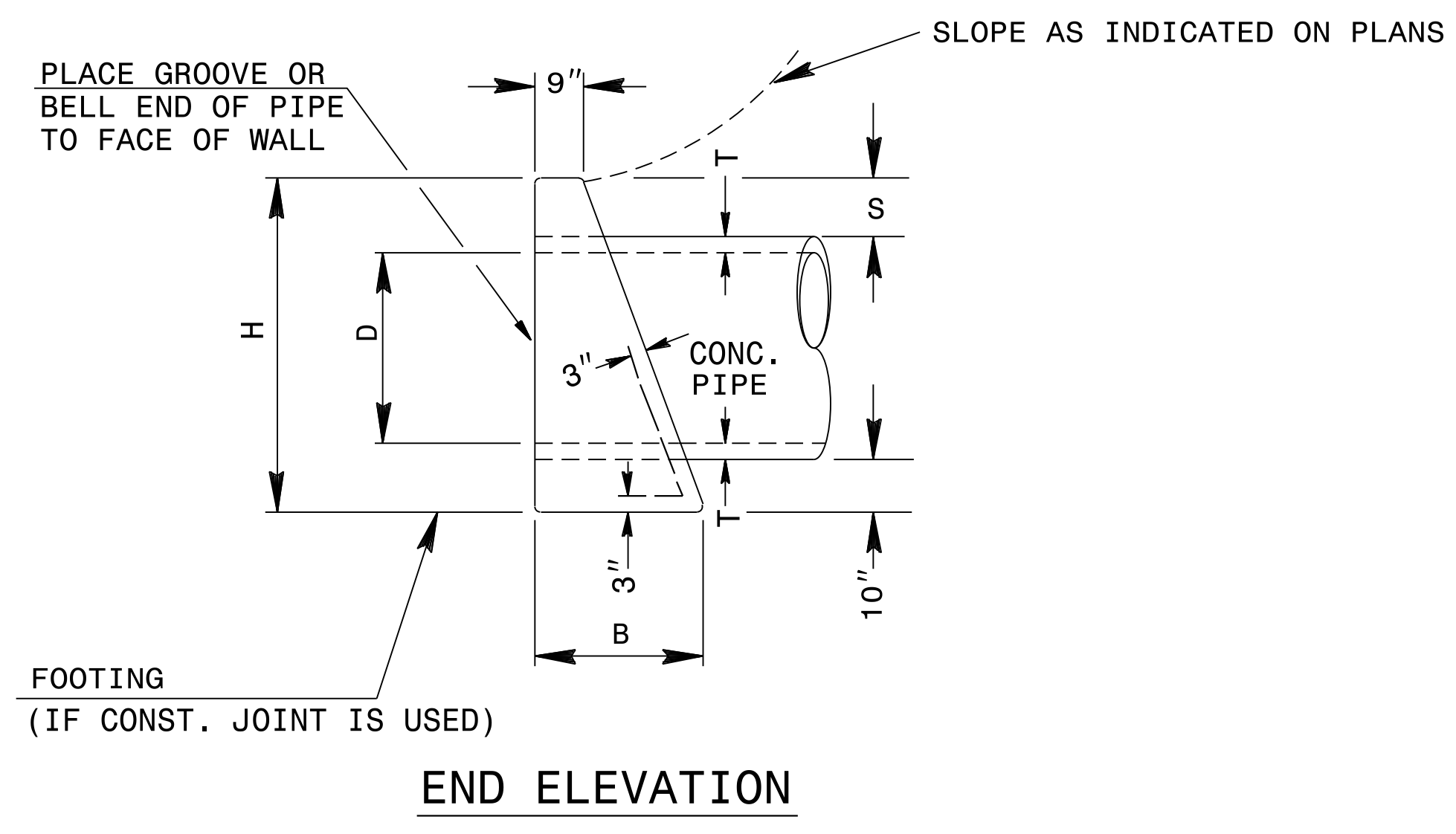
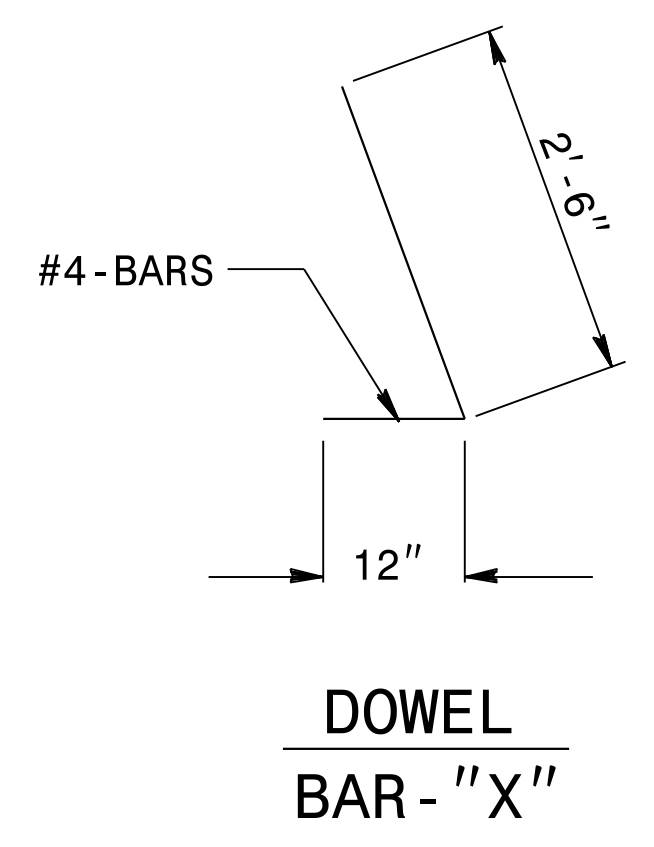
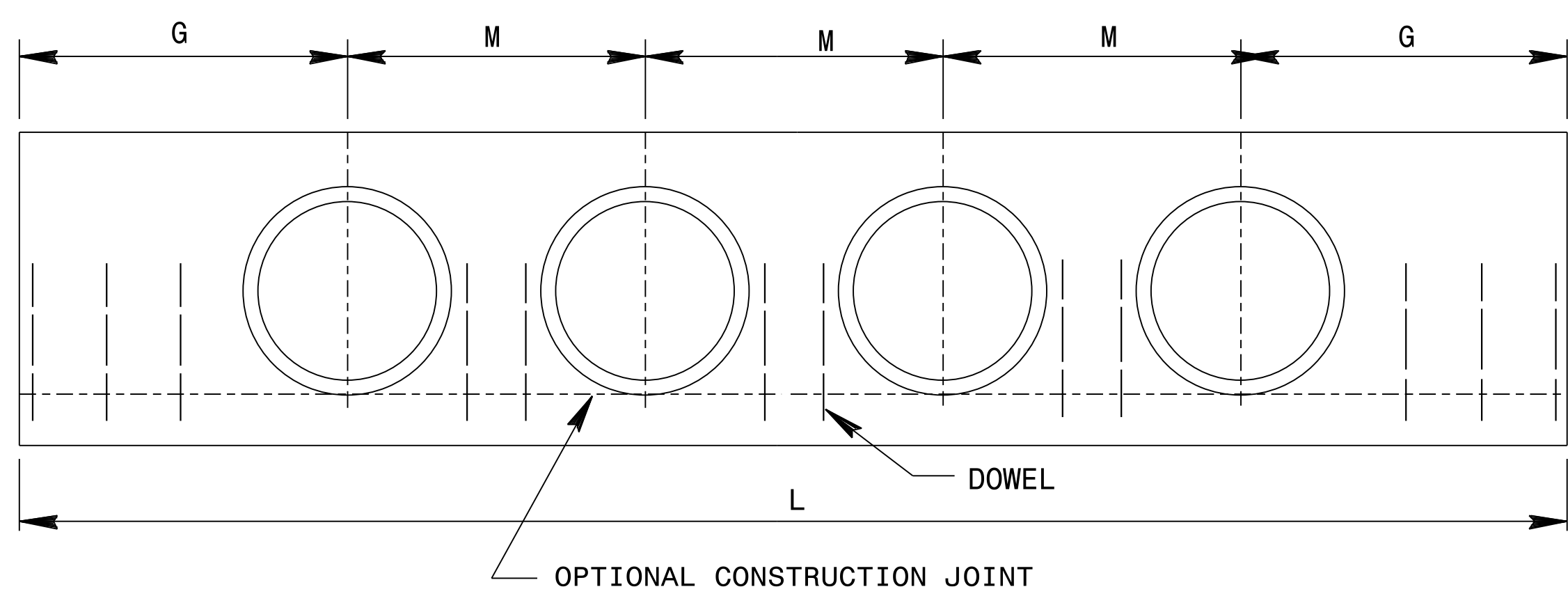
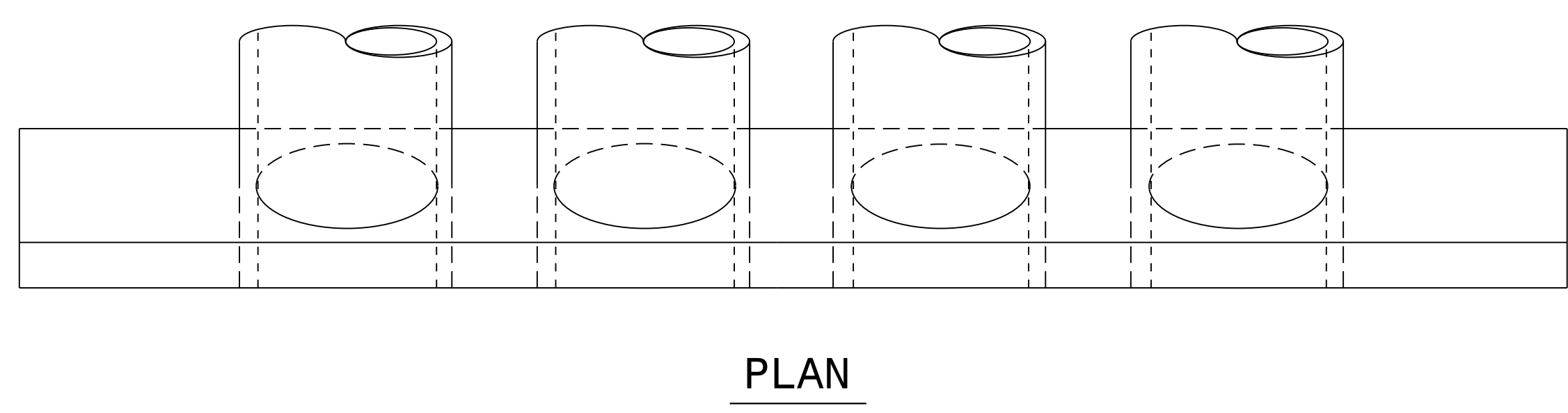


STATE OF NORTH CAROLINA
 DEPT. OF TRANSPORTATION
 DIVISION OF HIGHWAYS
 RALEIGH, N.C.

ENGLISH DETAIL DRAWING FOR
**CONCRETE ENDWALL FOR TRIPLE AND
 QUADRUPLE PIPE CULVERTS**
 15" THRU 48" PIPE - 90° SKEW

SHEET 1 OF 3
838D01



DIMENSIONS AND CONCRETE QUANTITIES										
USING CONCRETE PIPE										
D	COMMON DIMENSIONS					TRIPLE PIPE		QUADRUPLE PIPE		M
	H	B	G	T	S	L	YD ³	L	YD ³	
15"	3'-3"	1'-8"	2'-9"	2 1/4"	9 1/2"	9'-10"	1.3	12'-0"	1.6	2'-2"
18"	3'-7"	1'-10"	3'-2"	2 1/2"	10"	11'-6"	1.6	14'-1"	1.9	2'-7"
24"	4'-2"	2'-1"	4'-0"	3"	10"	14'-10"	2.5	18'-3"	3.0	3'-5"
30"	5'-0"	2'-6"	4'-7"	4 1/4"	11 1/2"	17'-8"	3.9	21'-11"	4.7	4'-3"
36"	5'-8"	2'-8"	5'-6"	4 3/4"	12 1/2"	21'-0"	5.6	26'-0"	6.7	5'-0"
42"	6'-2"	3'-1"	6'-4"	5 1/4"	11 1/2"	24'-4"	7.5	30'-2"	9.0	5'-10"
48"	6'-9"	3'-5"	7'-2"	5 3/4"	11 1/2"	27'-8"	10.0	34'-4"	12.0	6'-8"

* NOTE: SEE ROADWAY STANDARD DRAWING 838.01 SHEET 3 OF 3 FOR GENERAL NOTES

DOWELS IN ENDWALL WITH REINFORCED CONCRETE PIPE																	
LOC.	PIPE DIA.	TRIPLE PIPE						QUADRUPLE PIPE									
		15"	18"	24"	30"	36"	42"	15"	18"	24"	30"	36"	42"	48"			
	BARS	"X"	"X"	"X"	"X"	"X"	Y*	"X"	Y*	"X"	"X"	"X"	"X"	"X"	Y*	"X"	Y*
G	QTY.	2	2	3	3	4	4	5	2	2	3	3	4	4	5		
M(s)	QTY.	2	2	4	4	4	4	6	2	3	3	6	6	6	2	9	2
G	QTY.	2	2	3	3	4	4	5		2	2	3	3	4	4	5	
TOTAL LBS.		14	14	23	23	28	100	119		17	17	28	28	33	122	147	

STATE OF NORTH CAROLINA
 DEPT. OF TRANSPORTATION
 DIVISION OF HIGHWAYS
 RALEIGH, N.C.

ENGLISH DETAIL DRAWING FOR
**CONCRETE ENDWALL FOR TRIPLE AND
 QUADRUPLE PIPE CULVERTS**
 15" THRU 48" PIPE - 90° SKEW

SHEET 1 OF 3
838D01

DOCUMENT NOT CONSIDERED FINAL UNLESS ALL SIGNATURES COMPLETED

**CONTRACT STANDARDS
 AND DEVELOPMENT UNIT**
 Office 919-707-6950 FAX 919-250-4119

SEE PLATE FOR TITLE

ORIGINAL BY: E.E. WARD DATE: _____
 MODIFIED BY: K.A. Kempf DATE: _____
 CHECKED BY: _____ DATE: _____
 FILE SPEC.: details/kkempf/english/838d0101.dgn

