

STATE OF NORTH CAROLINA
DEPT. OF TRANSPORTATION
DIVISION OF HIGHWAYS
RALEIGH, N.C.

ROADWAY DETAIL DRAWING FOR
GUARDRAIL INSTALLATION

SHEET 6 OF 8
862D02

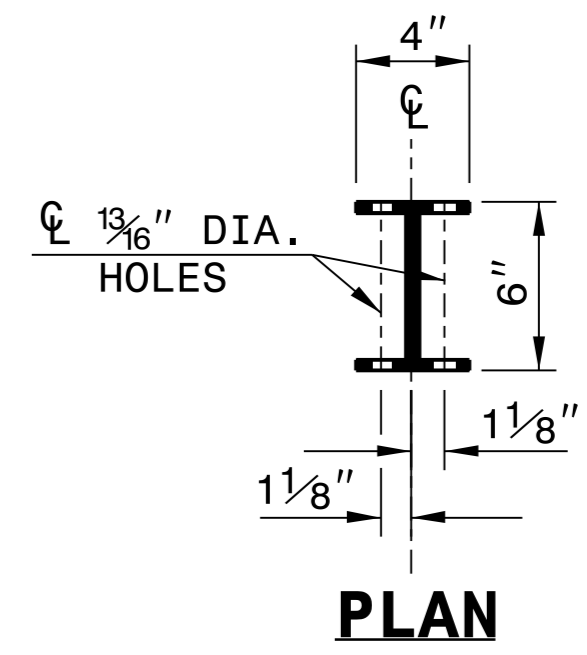
STATE OF NORTH CAROLINA
DEPT. OF TRANSPORTATION
DIVISION OF HIGHWAYS
RALEIGH, N.C.

ROADWAY DETAIL DRAWING FOR
GUARDRAIL INSTALLATION

SHEET 6 OF 8
862D02



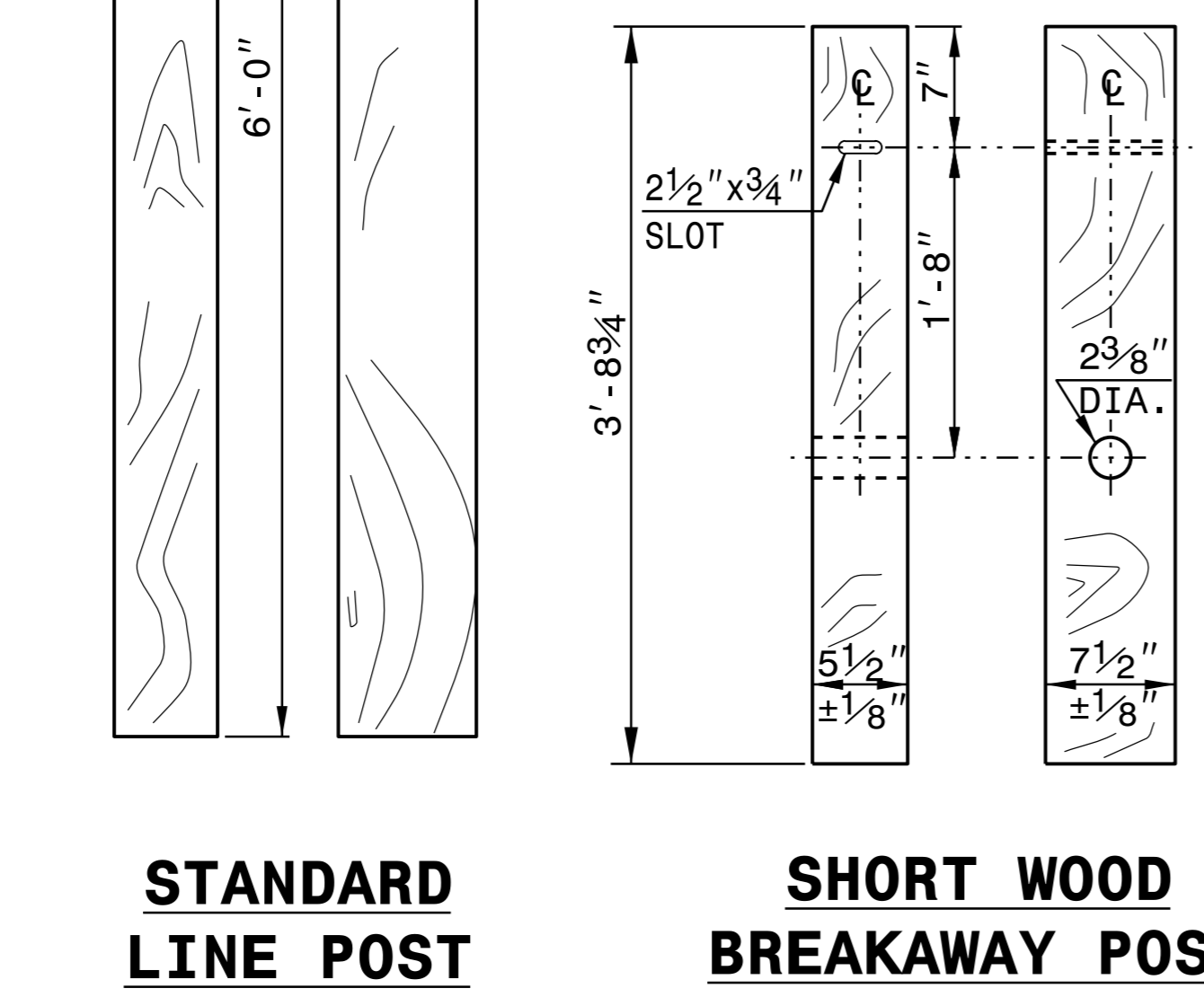
STANDARD W-BEAM GUARDRAIL



PLAN

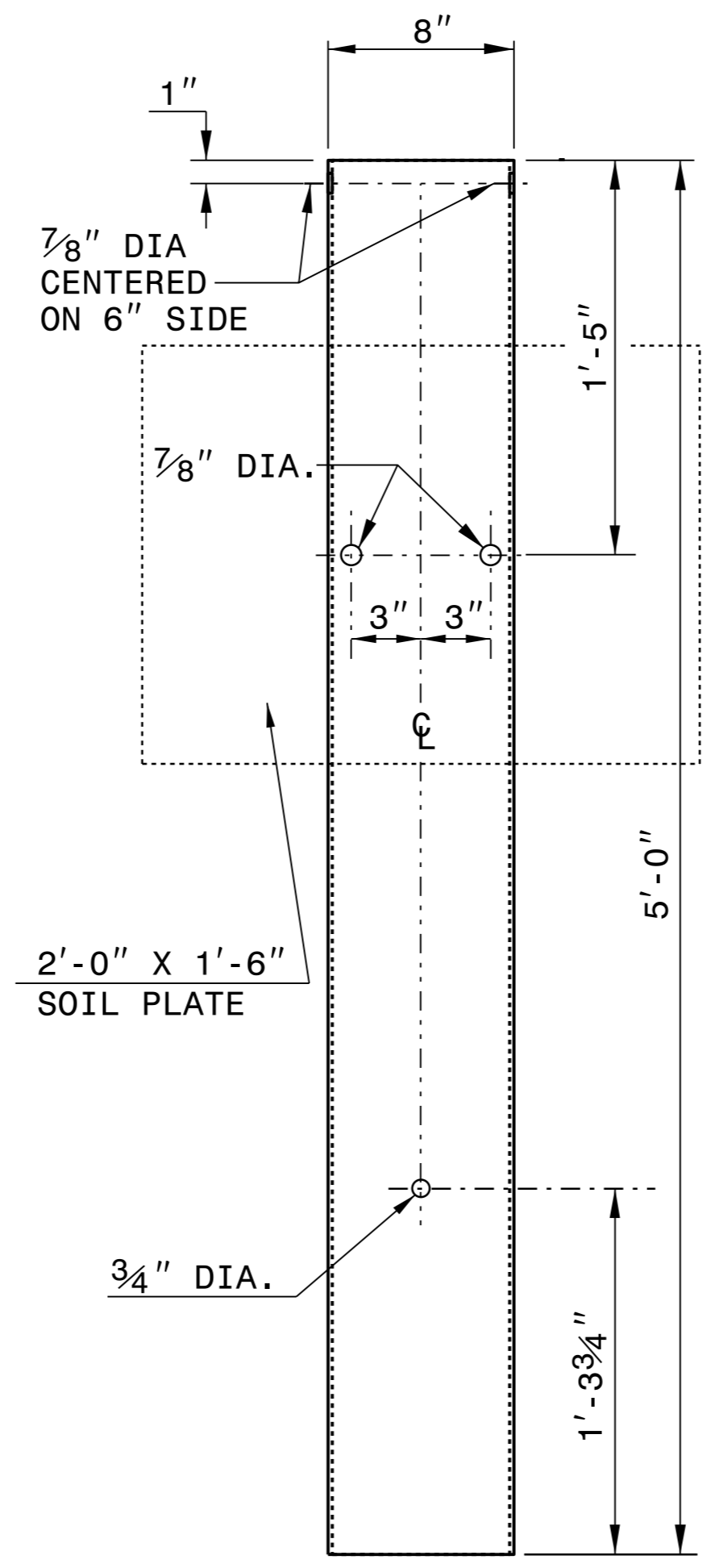


WOOD OFFSET BLOCK
(FOR WOOD POSTS)

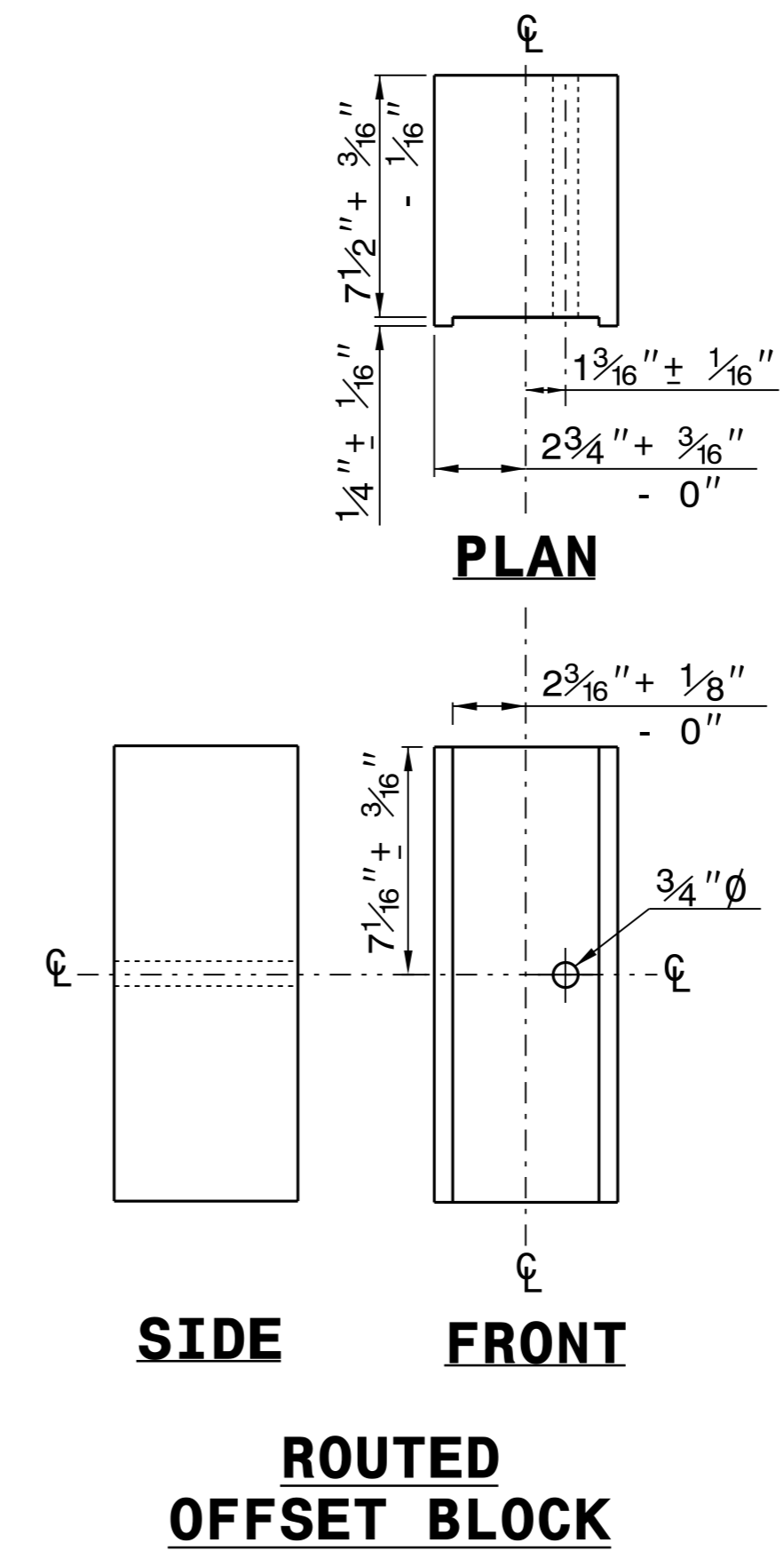


STANDARD LINE POST

SHORT WOOD BREAKAWAY POST



STEEL TUBE
TS 6"x8"x0.1875"

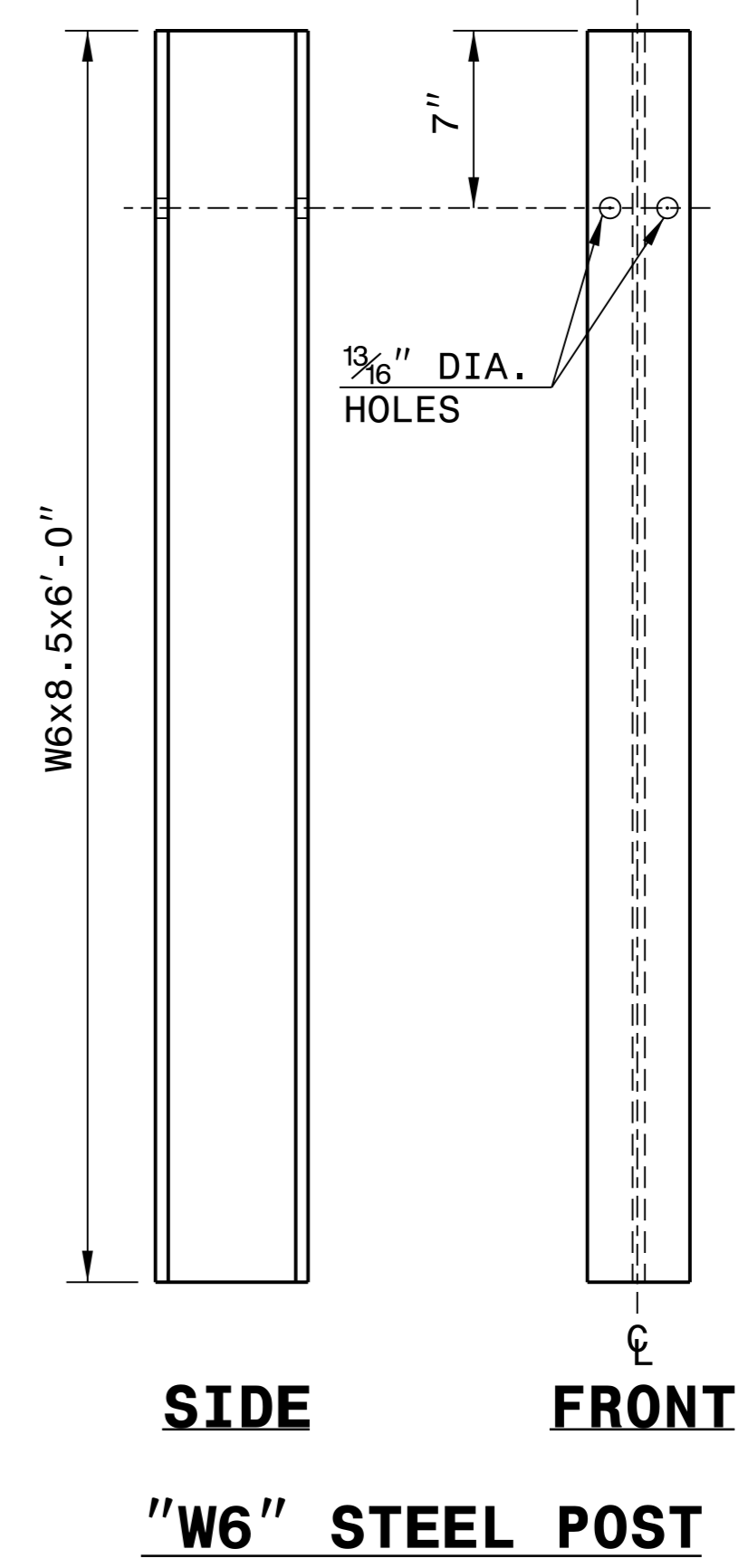


PLAN

SIDE

FRONT

ROUTED OFFSET BLOCK

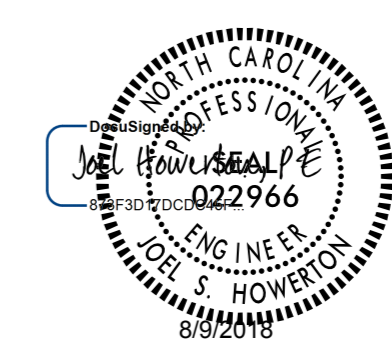


SIDE

FRONT

"W6" STEEL POST

SYSTEM PARTS



CONTRACTS STANDARDS AND DEVELOPMENT UNIT
Office 919-707-6950 FAX 919-250-4119

SEE TITLE BLOCK

ORIGINAL BY: J. HOWERTON DATE: 3-7-2018
MODIFIED BY: DATE: _____
CHECKED BY: DATE: _____
FILE SPEC.: _____