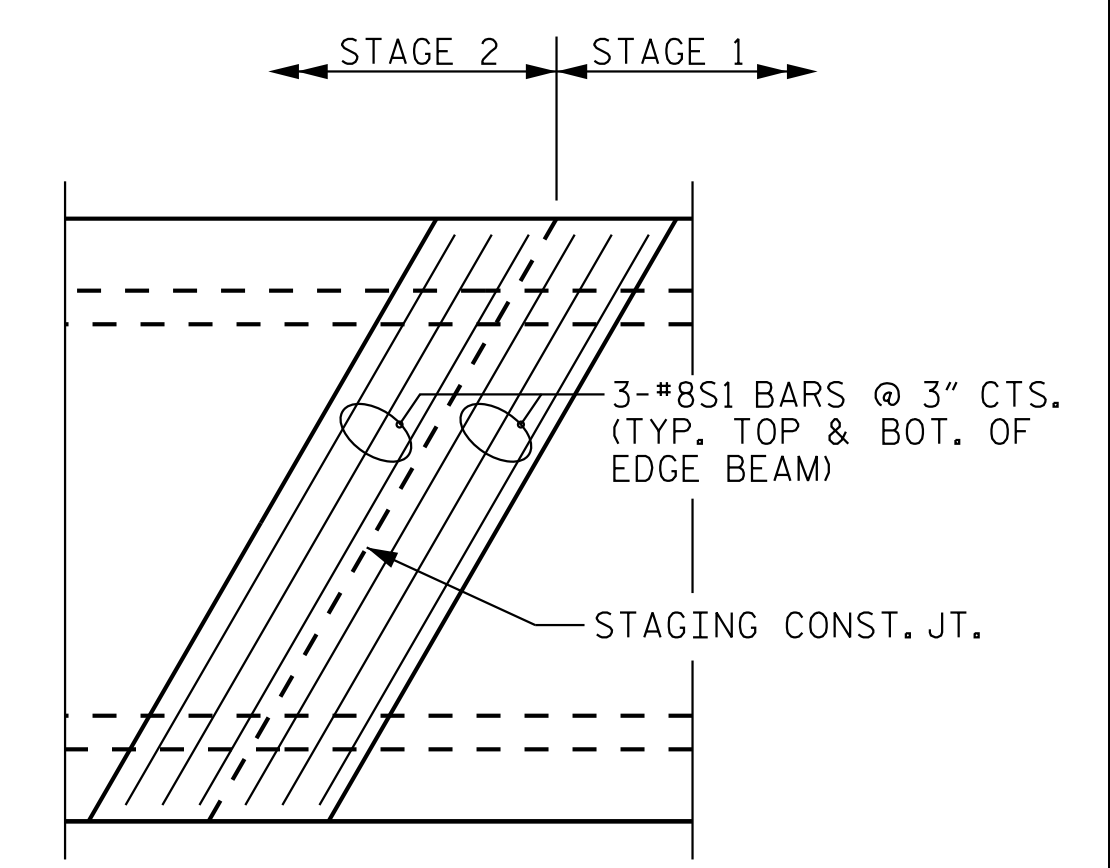
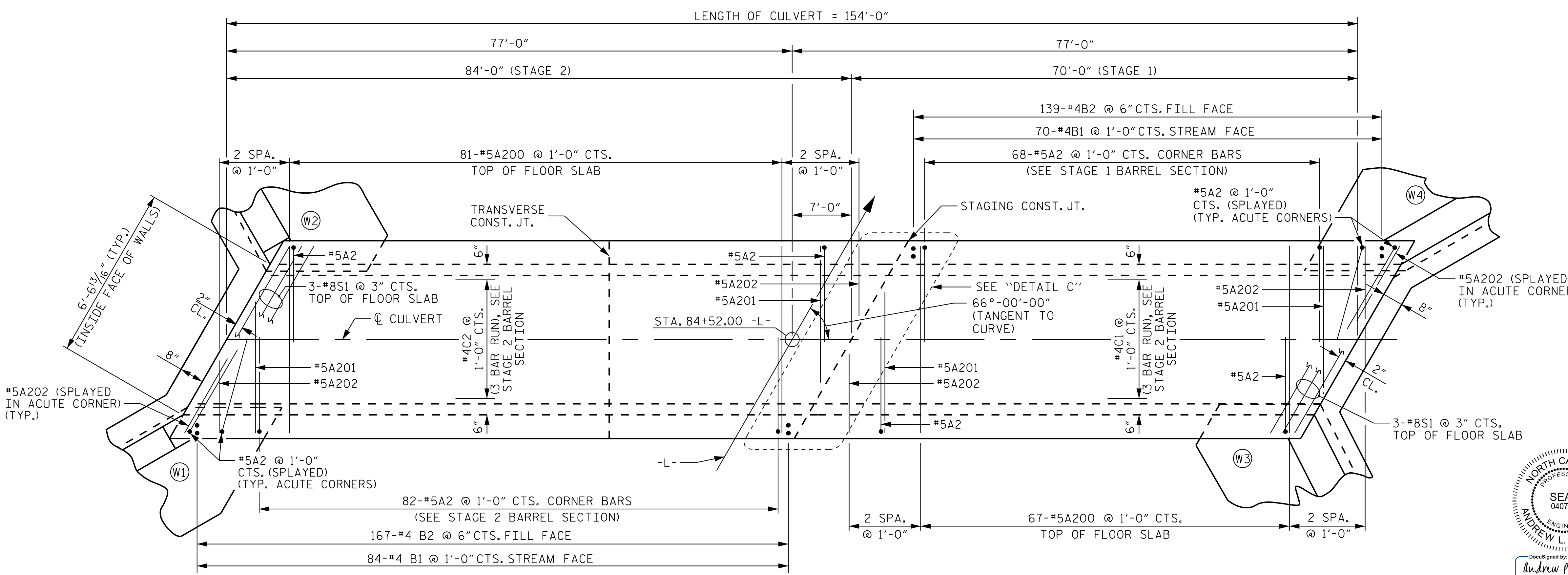


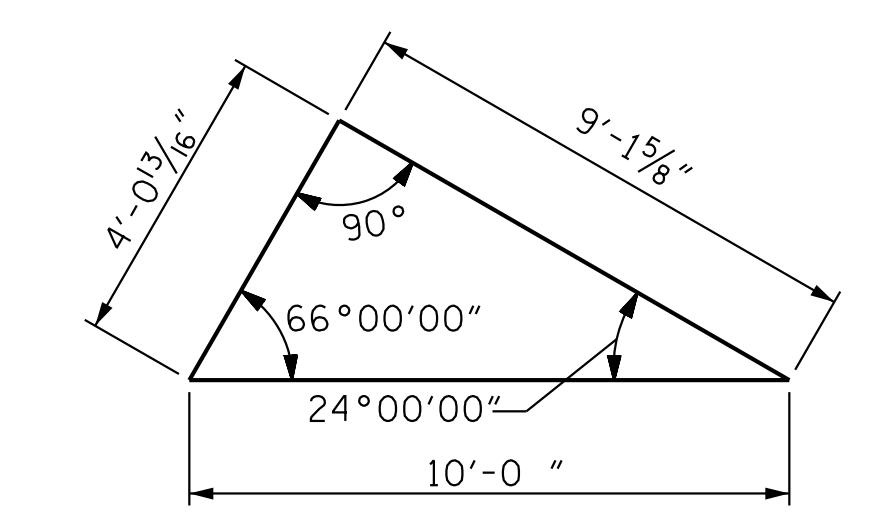
PLAN - ROOF SLAB



DETAIL C
ROOF SLAB EDGE BEAM SHOWN,
FLOOR SLAB SIMILAR



PLAN - FLOOR SLAB



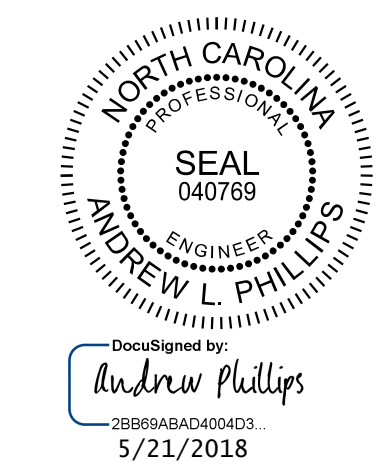
SKEW TRIANGLE

PROJECT NO. U-5725
HALIFAX COUNTY
 STATION: 84+52.00 -L-

SHEET 4 OF 8

STATE OF NORTH CAROLINA
 DEPARTMENT OF TRANSPORTATION
 RALEIGH

SINGLE 6 FT. X 7 FT.
 CONCRETE BOX CULVERT
 66° SKEW



Kimley»Horn
 421 Fayetteville Street, Suite 600
 Raleigh, NC 27601-1772
 Phone (919) 677-2000 NC LICENSE # F-0102

DRAWN BY: P.G. ROBBS DATE: 5/18
 CHECKED BY: C.T. POOLE DATE: 5/18
 DESIGN ENGINEER OF RECORD: A.L. PHILLIPS DATE: 5/18

**DOCUMENT NOT CONSIDERED FINAL
 UNLESS ALL SIGNATURES COMPLETED**

REVISIONS						SHEET NO.
NO.	BY:	DATE:	NO.	BY:	DATE:	C-4
1			3			TOTAL SHEETS
2			4			8

5/21/2018 K:\B01-Structures\Bridges\N.C.01036407 - U-5725\Coor\Drawings\B25 - SMU - CUL - 410XXX.dgn