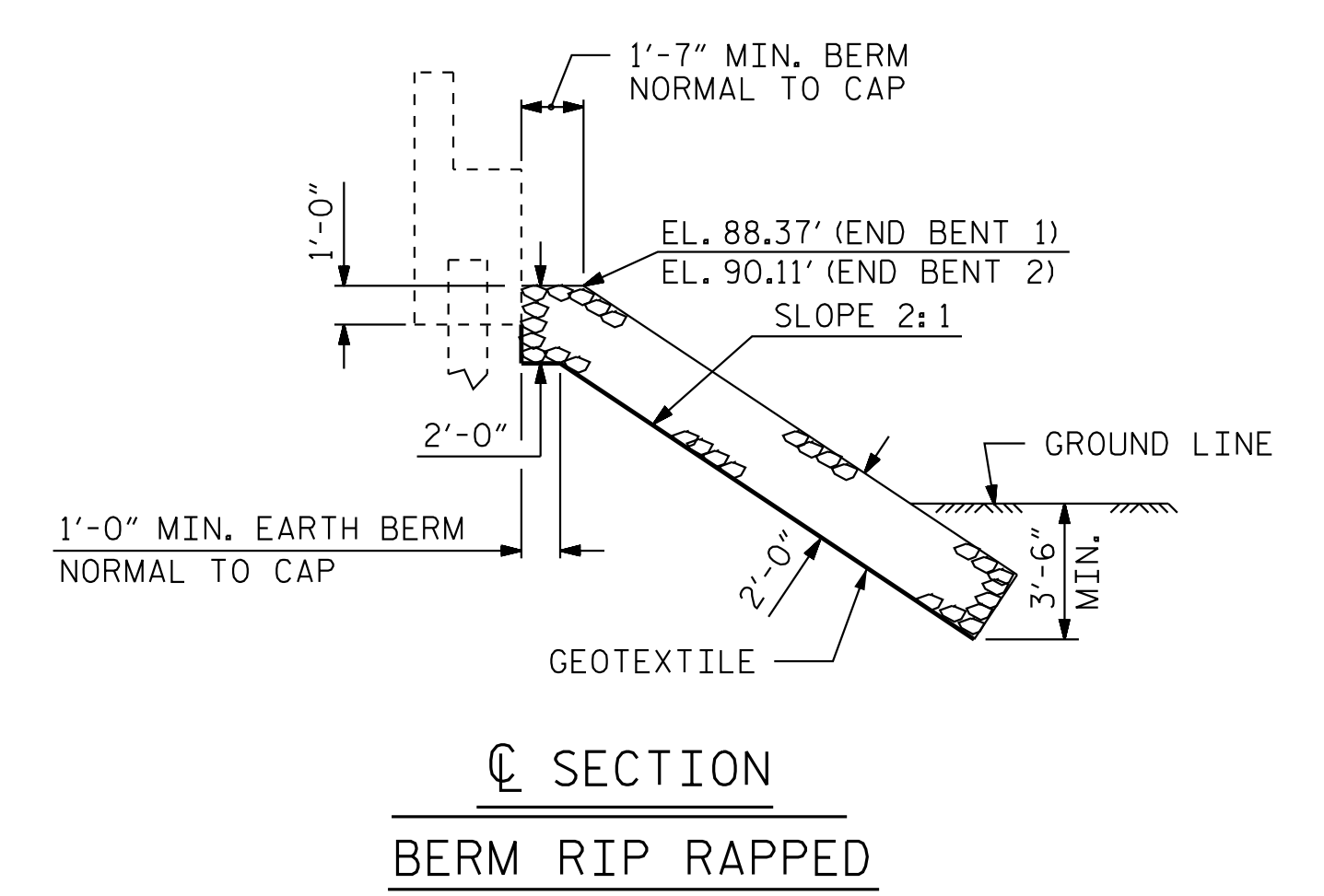
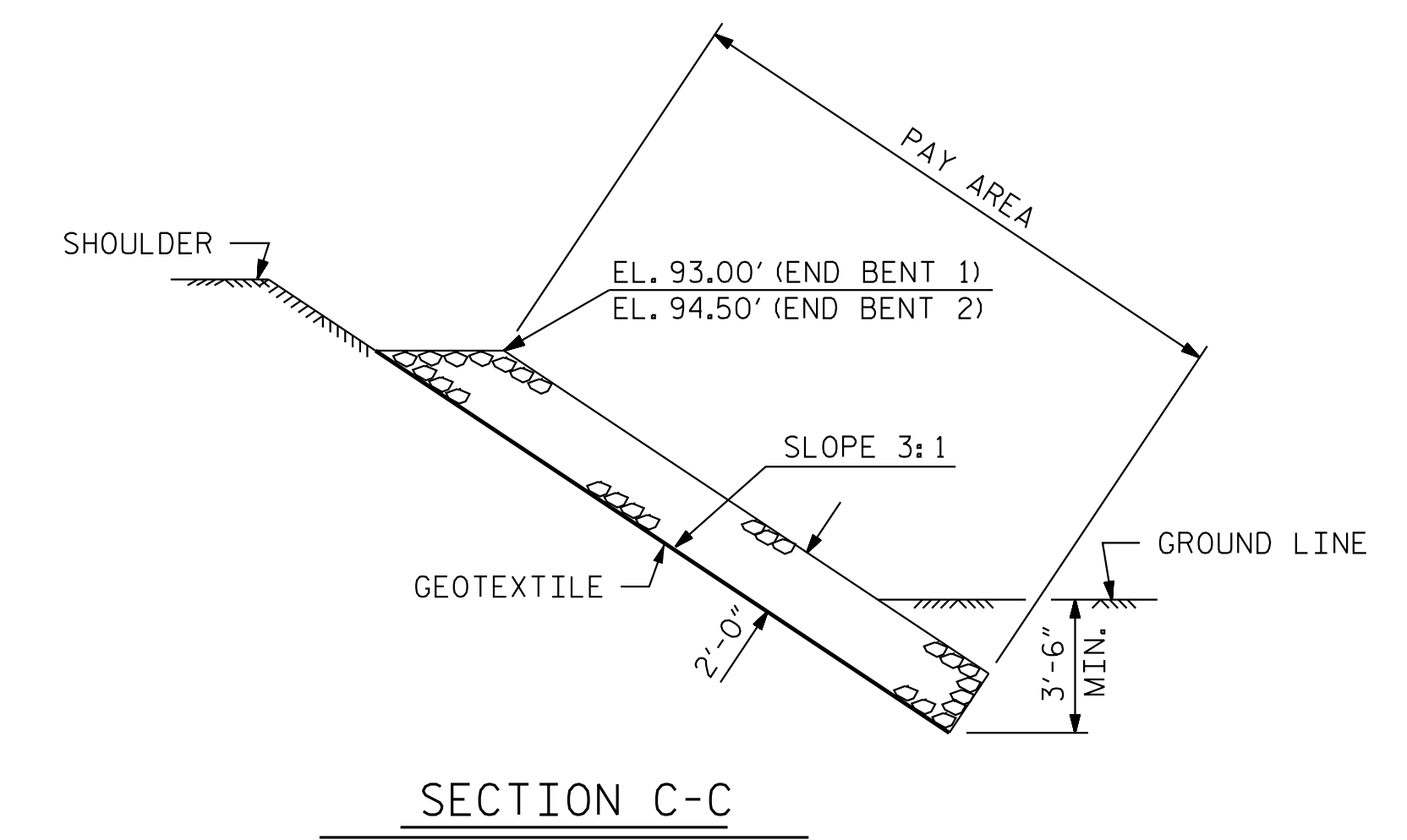
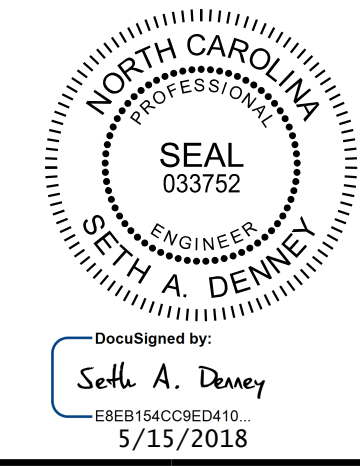


NOTES :
FOR BERM WIDTH DIMENSIONS, SEE GENERAL DRAWING.



PROJECT NO. R-3822
HALIFAX COUNTY
STATION: 99+17.60 -L1-

ESTIMATED QUANTITIES		
BRIDGE @ STA. 99+17.60 -L1-	RIP RAP CLASS II (2'-0" THICK)	GEOTEXTILE FOR DRAINAGE
	TONS	SQUARE YARDS
END BENT 1	260	289
END BENT 2	337	374



Kimley»Horn
421 Fayetteville Street, Suite 600
Raleigh, NC 27601-1772
Phone (919) 677-2000
NC LICENSE # F-0102

STATE OF NORTH CAROLINA
DEPARTMENT OF TRANSPORTATION
RALEIGH

RIP RAP DETAILS

REVISIONS						SHEET NO.
NO.	BY:	DATE:	NO.	BY:	DATE:	
1			3			TOTAL SHEETS
2			4			58

**DOCUMENT NOT CONSIDERED FINAL
UNLESS ALL SIGNATURES COMPLETED**

K:\RD1_Structures\Bridges\NC\011035392 - R-3822\Cad\Drawings\RR-410208.dgn

DRAWN BY: D. D. LOWERY DATE: 03/18
CHECKED BY: S. A. DENNEY DATE: 03/18
DESIGN ENGINEER OF RECORD: S. A. DENNEY DATE: 03/18