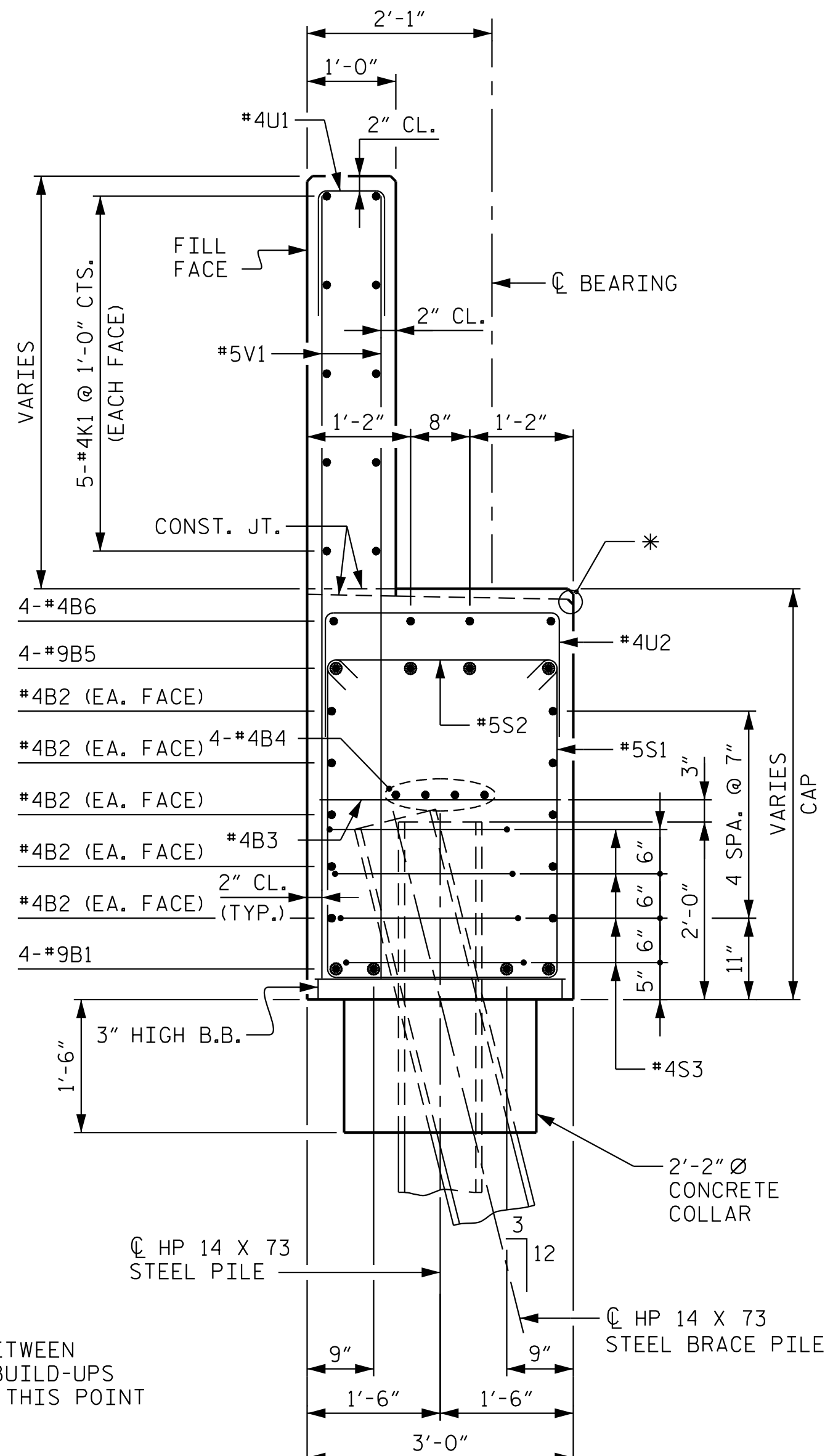
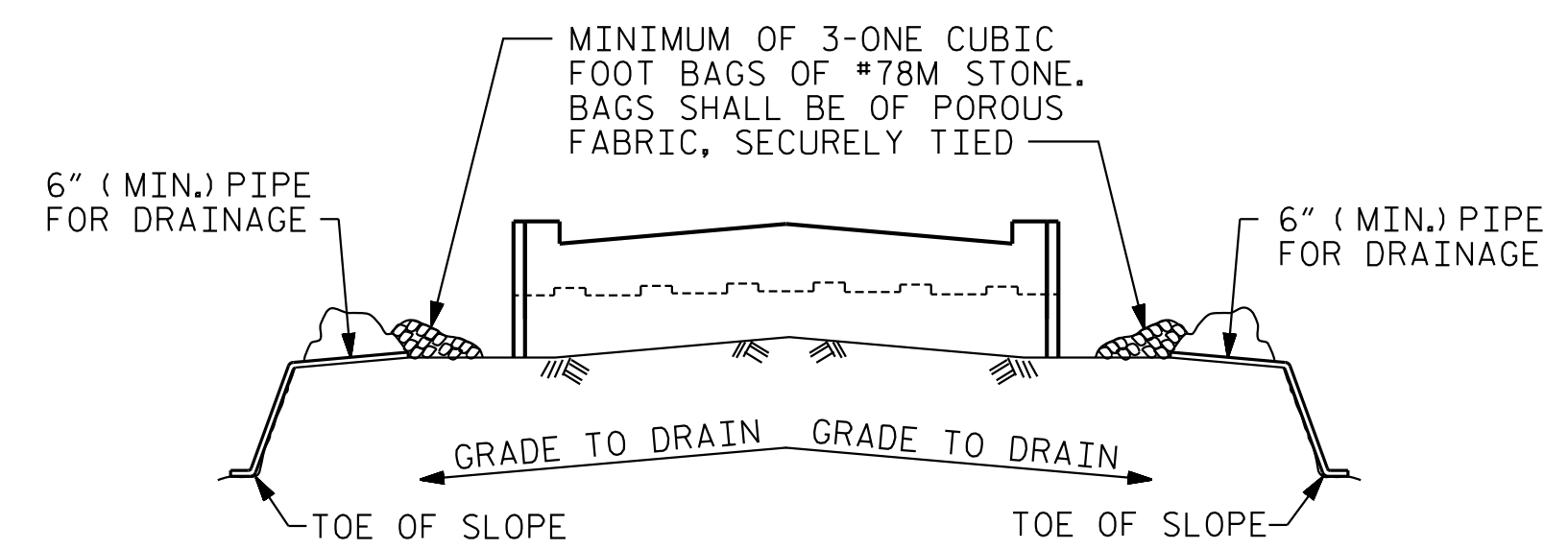


SECTION A-A

\* ELEVATIONS BETWEEN BRIDGE SEAT BUILD-UPS ARE TAKEN AT THIS POINT



SECTION B-B

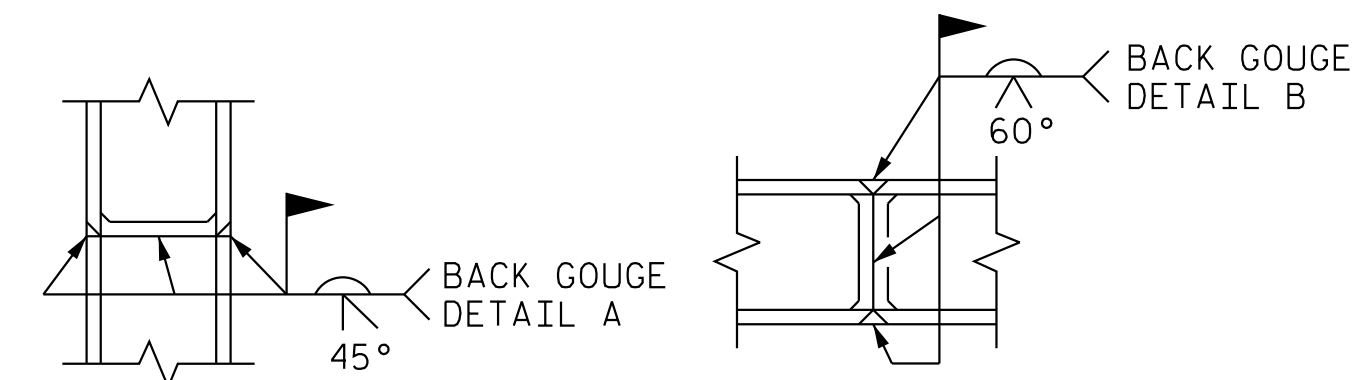


BAGGED STONE AND PIPE SHALL BE PLACED IMMEDIATELY AFTER COMPLETION OF END BENT EXCAVATION. PIPE MAY BE EITHER CONCRETE, CORRUGATED STEEL, CORRUGATED ALUMINUM ALLOY, OR CORRUGATED PLASTIC. PERFORATED PIPE WILL NOT BE ALLOWED.

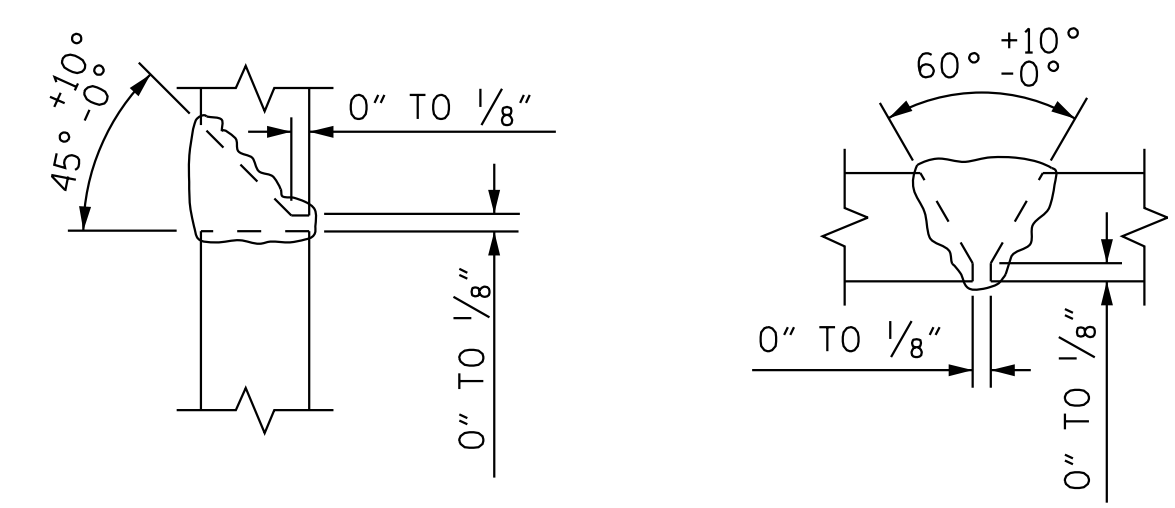
BAGGED STONE SHALL REMAIN IN PLACE UNTIL THE ENGINEER DIRECTS THAT IT BE REMOVED. THE CONTRACTOR SHALL REMOVE AND DISPOSE OF SILT ACCUMULATIONS AT BAGGED STONE WHEN SO DIRECTED BY THE ENGINEER. BAGS SHALL BE REMOVED AND REPLACED WHENEVER THE ENGINEER DETERMINES THAT THEY HAVE DETERIORATED AND LOST THEIR EFFECTIVENESS.

NO SEPARATE PAYMENT WILL BE MADE FOR THIS WORK AND THE ENTIRE COST OF THIS WORK SHALL BE INCLUDED IN THE UNIT CONTRACT PRICE BID FOR THE SEVERAL PAY ITEMS.

TEMPORARY DRAINAGE AT END BENT



\*\* PILE VERTICAL OR VERTICAL

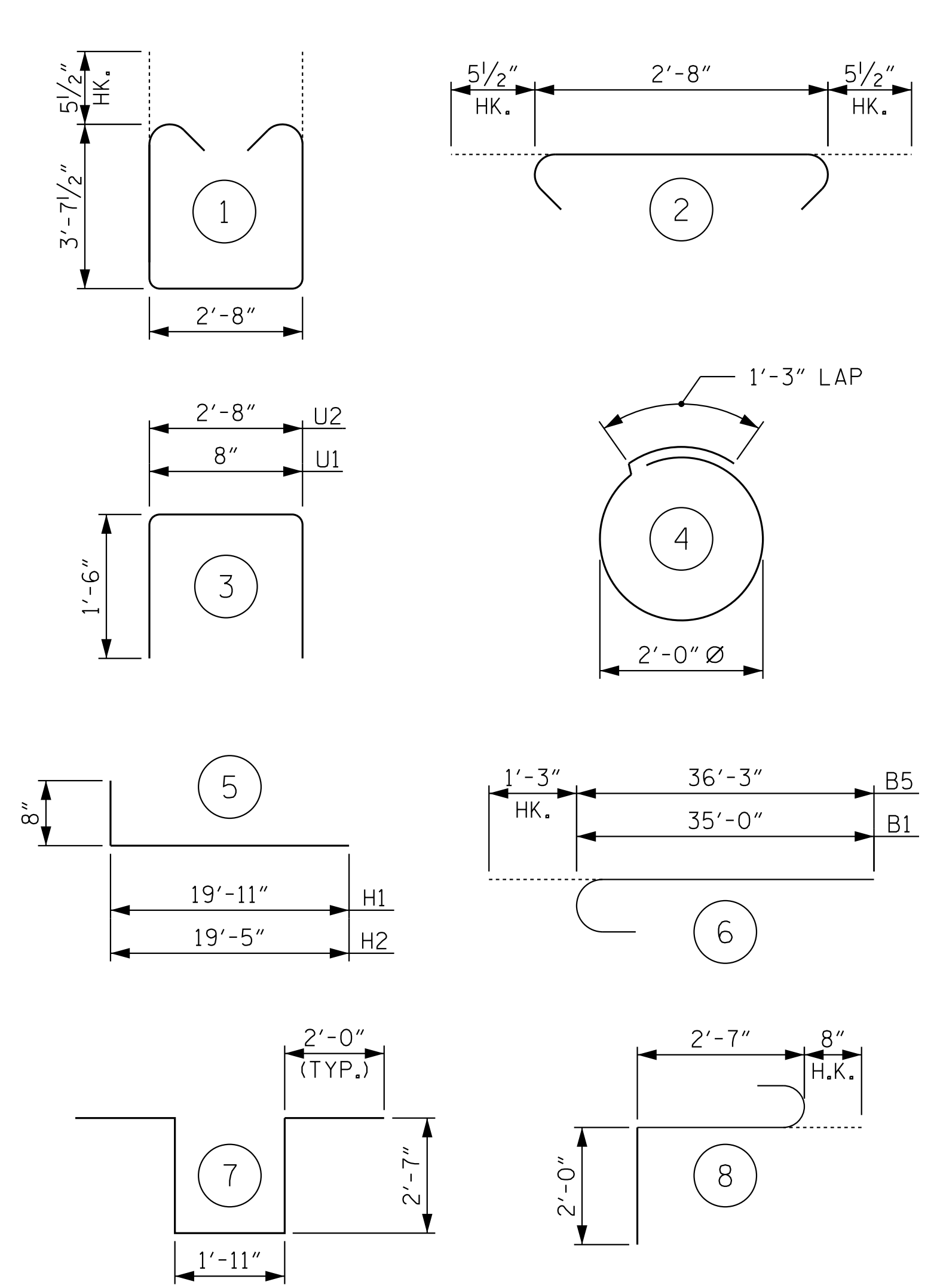


DETAIL A DETAIL B

PILE SPLICE DETAILS

\*\* POSITION OF PILE DURING WELDING.

BAR TYPES



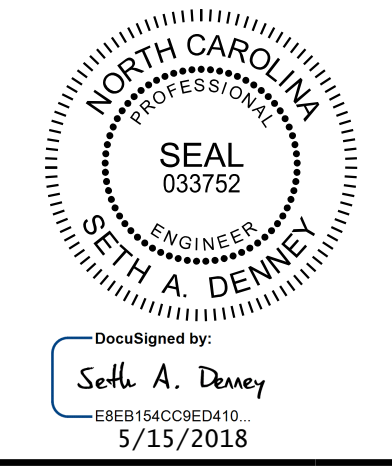
ALL BAR DIMENSIONS ARE OUT TO OUT.

BILL OF MATERIAL

END BENT 1					
BAR NO.	NO.	SIZE	TYPE	LENGTH	WEIGHT
B1	8	9	6	36'-3"	986
B2	30	4	STR	22'-11"	459
B3	16	4	STR	2'-8"	29
B4	12	4	STR	22'-11"	184
B5	8	9	6	37'-6"	1020
B6	12	4	STR	10'-2"	81
B7	4	4	STR	3'-4"	9
H1	30	4	5	20'-7"	412
H2	24	4	5	20'-1"	322
K1	30	4	STR	22'-11"	459
K2	4	4	STR	3'-10"	10
K3	4	4	STR	3'-2"	8
S1	69	5	1	10'-10"	780
S2	69	5	2	3'-7"	250
S3	24	4	4	7'-7"	122
S4	6	6	7	11'-1"	100
S5	6	6	8	5'-3"	47
U1	57	4	3	3'-8"	140
U2	24	4	3	5'-8"	91
V1	114	5	STR	8'-1"	961
V2	50	5	STR	10'-3"	535
V3	46	5	STR	10'-0"	480
REINFORCING STEEL					7,493 LBS.
CLASS A CONCRETE BREAKDOWN					
POUR #1 (CAP, LOWER WING WALLS, & COLLARS)					38.8 C.Y.
POUR #2 (BACKWALL & UPPER WING WALLS)					20.5 C.Y.
TOTAL CLASS A CONCRETE					59.3 C.Y.
HP 14x73 STEEL PILES					
NO. 8					180 LIN. FT.
STEEL PILE POINTS					8 EA.
PILE DRIVING EQUIPMENT SETUP FOR HP 14X73 STEEL PILES					8 EA.

PROJECT NO. R-3822  
 HALIFAX COUNTY  
 STATION: 99+17.60 -L1-

SHEET 4 OF 4 BRIDGE NO. 208



STATE OF NORTH CAROLINA  
 DEPARTMENT OF TRANSPORTATION  
 RALEIGH  
 SUBSTRUCTURE  
 END BENT 1  
 SECTIONS AND DETAILS

REVISIONS						SHEET NO.
NO.	BY:	DATE:	NO.	BY:	DATE:	S-43
1			3			TOTAL SHEETS
2			4			58

DOCUMENT NOT CONSIDERED FINAL UNLESS ALL SIGNATURES COMPLETED

This document, together with the contracts and design presented herein, is an integral part of the project. It is intended for the specific project and shall not be used for any other project without the written authorization and approval of Kimley-Horn and Associates, Inc. It shall be without liability to Kimley-Horn and Associates, Inc.

5/14/2018 K:\B01\_Structures\Bridges\NC\01036392 - R-3822\Gcd\Dgn\B3822.SMU.E4-410208.dgn

DRAWN BY: D. D. LOWERY DATE: 03/18  
 CHECKED BY: C. I. POOLE DATE: 03/18  
 DESIGN ENGINEER OF RECORD: S. A. DENNEY DATE: 03/18