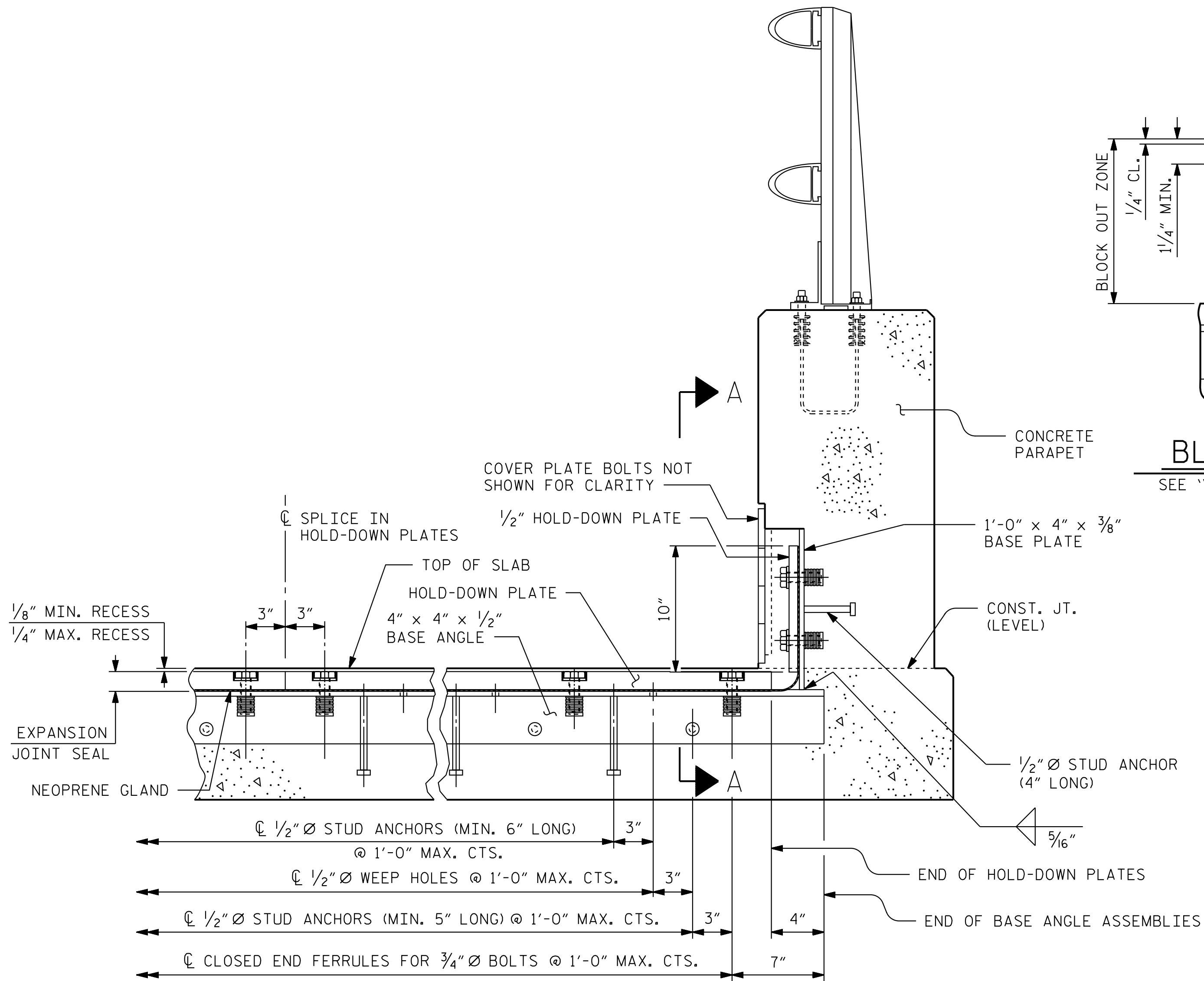
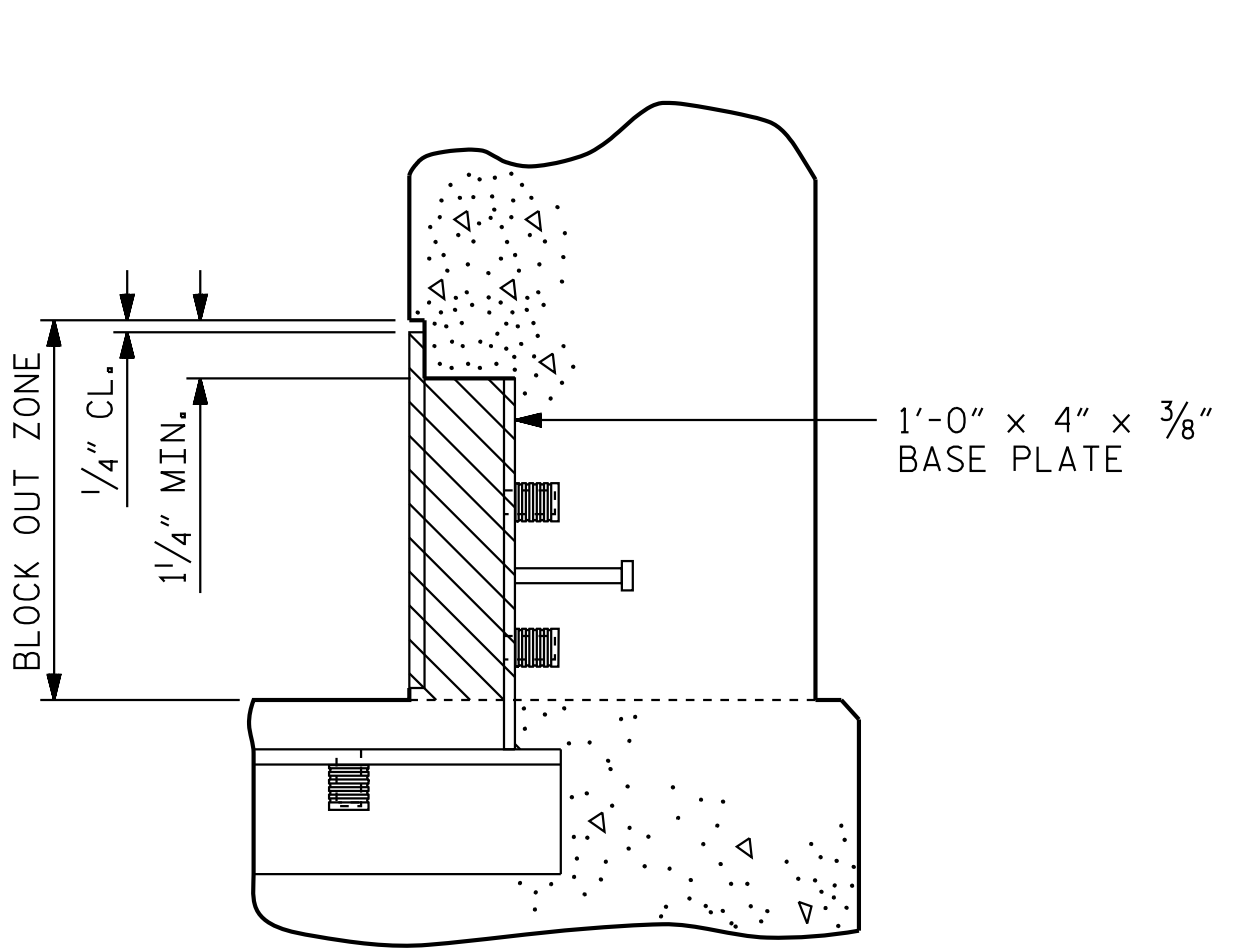


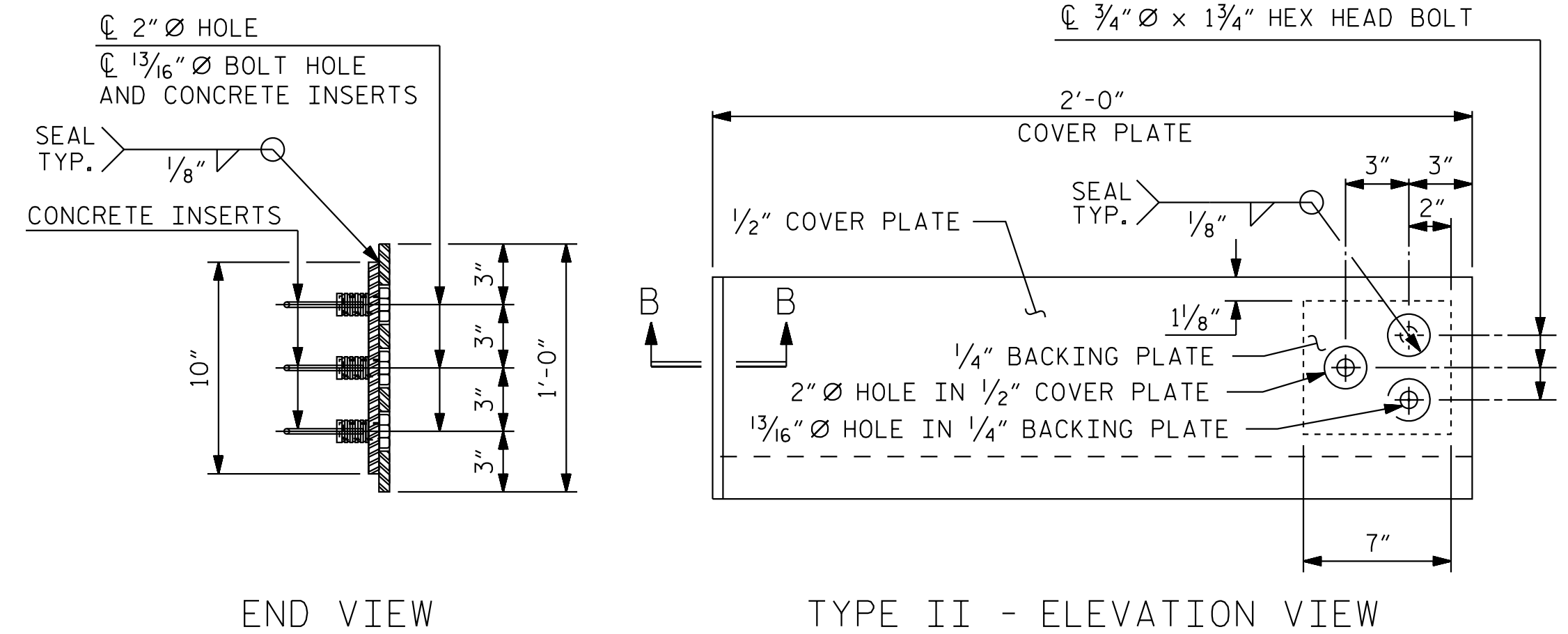
K:\BIDI_Structures\Bridges\NC\01036392 - R-3822\cadd\Drawings\3822-SMU-J54_410208.dgn 5/14/2018



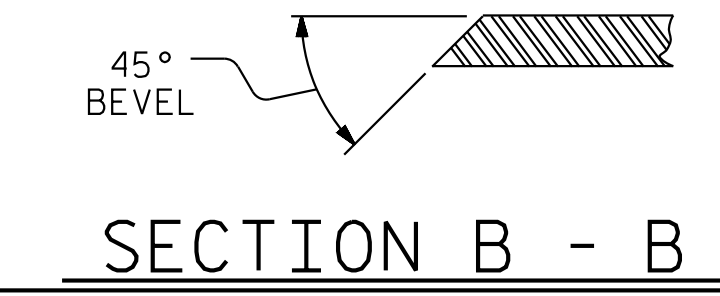
SECTION THRU PARAPET NORMAL TO JOINT - RIGHT SIDE



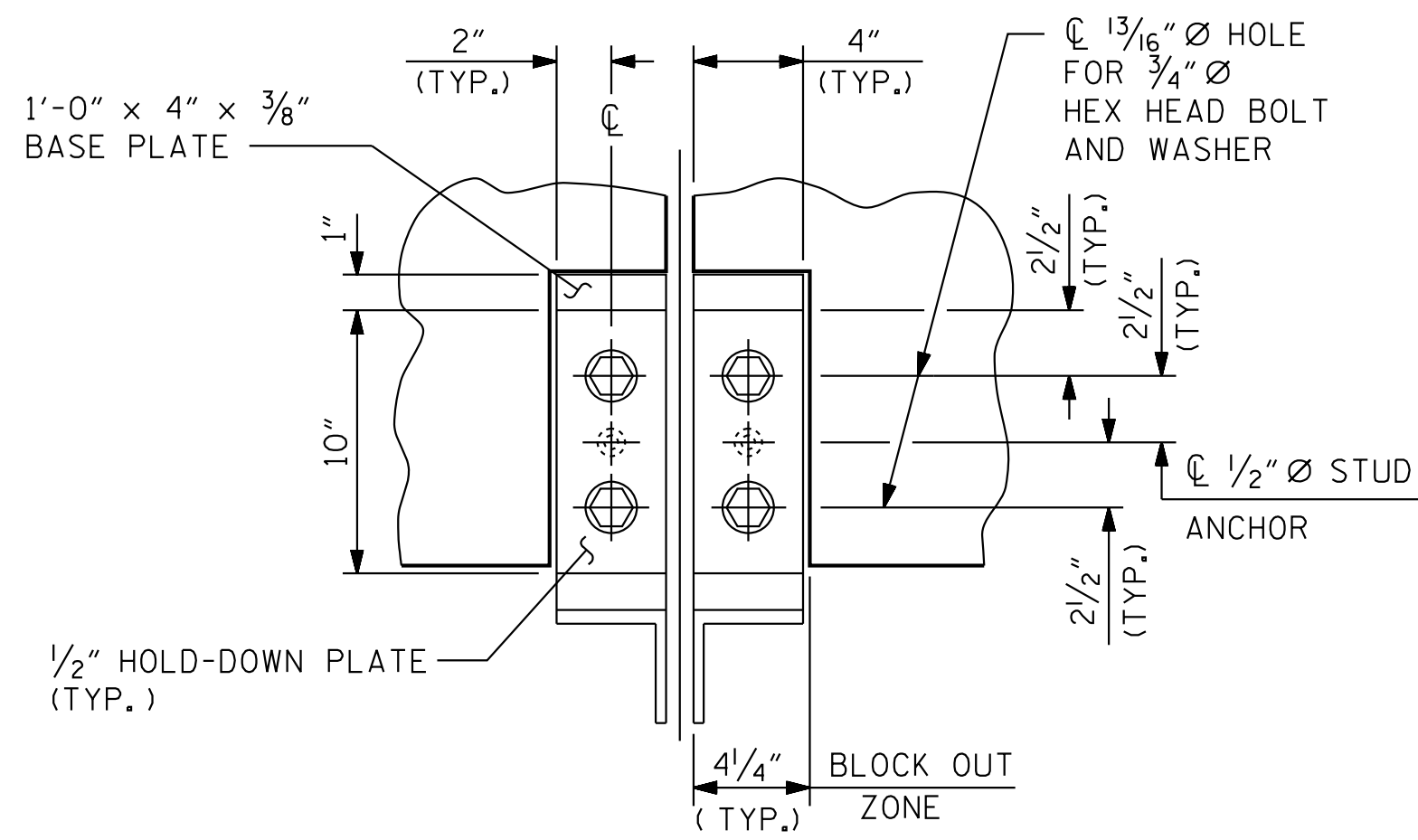
BLOCK OUT DETAIL
SEE "SECTION A-A" FOR OTHER DETAILS.



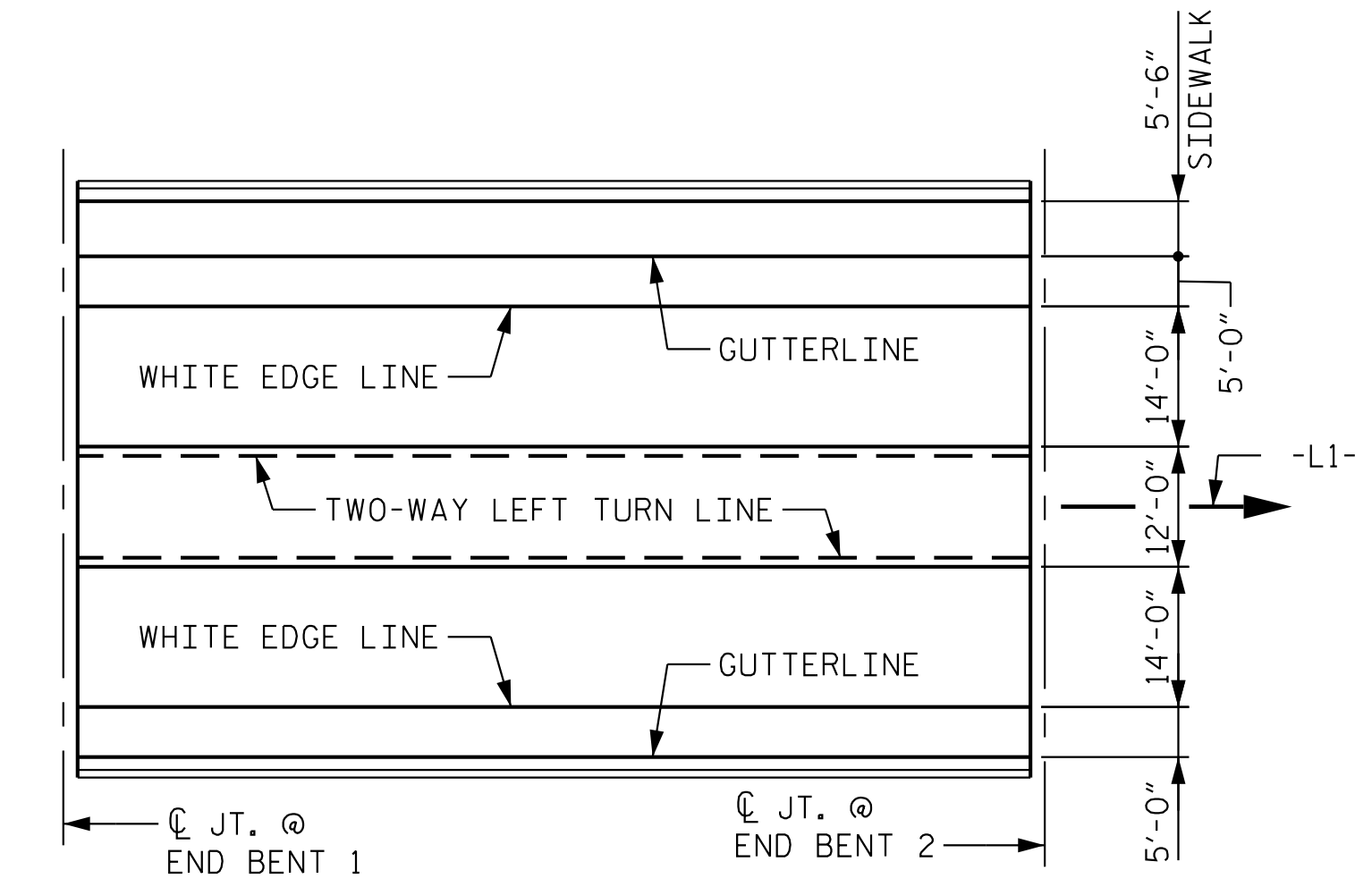
COVER PLATE DETAILS



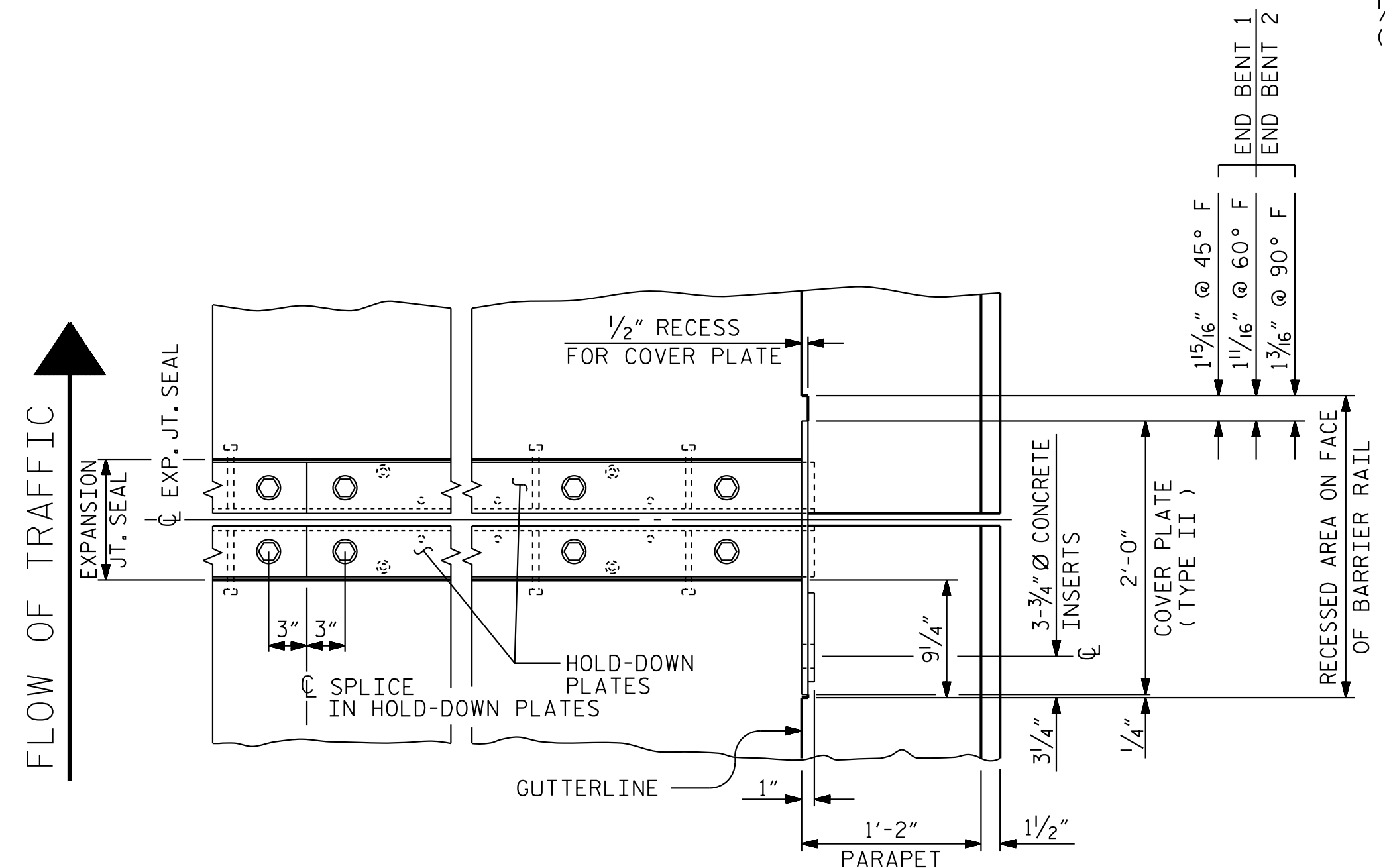
SECTION B - B



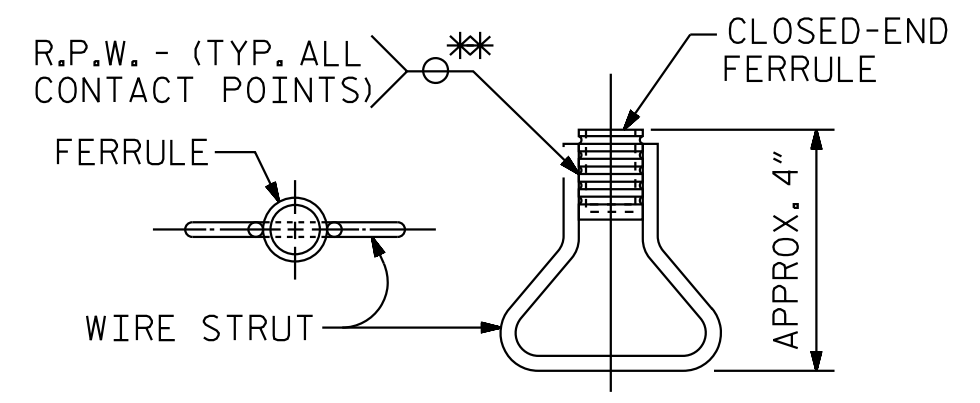
SECTION A - A



PAVEMENT MARKING ALIGNMENT

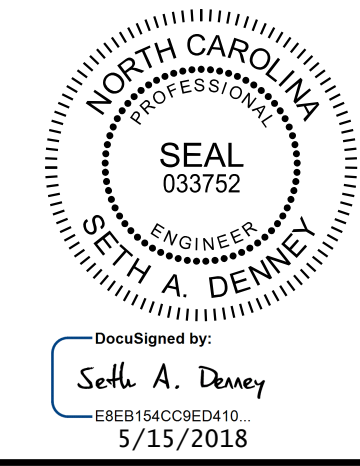


PLAN OF EXPANSION JOINT SEAL - RIGHT SIDE



CONCRETE INSERT

* EACH WELDED ATTACHMENT OF WIRE TO FERRULE SHALL DEVELOP THE TENSILE STRENGTH OF THE WIRE.



Kimley»Horn
421 Fayetteville Street, Suite 600
Raleigh, NC 27601-1772
Phone (919) 677-2000 NC LICENSE # F-0102

PROJECT NO. R-3822
HALIFAX COUNTY
STATION: 99+17.60 -L1-

SHEET 4 OF 4

STATE OF NORTH CAROLINA
DEPARTMENT OF TRANSPORTATION
RALEIGH

STANDARD
EXPANSION JOINT
SEAL DETAILS FOR
CONCRETE PARAPET
(RIGHT SIDE)

REVISIONS						SHEET NO.
NO.	BY:	DATE:	NO.	BY:	DATE:	S-37
1			3			TOTAL SHEETS
2			4			58

ASSEMBLED BY : D. D. LOWERY	DATE : 03/18	MAA/GM
CHECKED BY : C. T. POOLE	DATE : 03/18	MAA/GM
DRAWN BY : REK 9/87	REV. 7/12	MAA/GM
CHECKED BY : CRK 10/87	REV. 6/13	MAA/GM
	REV. 12/17	MAA/THC

**DOCUMENT NOT CONSIDERED FINAL
UNLESS ALL SIGNATURES COMPLETED**