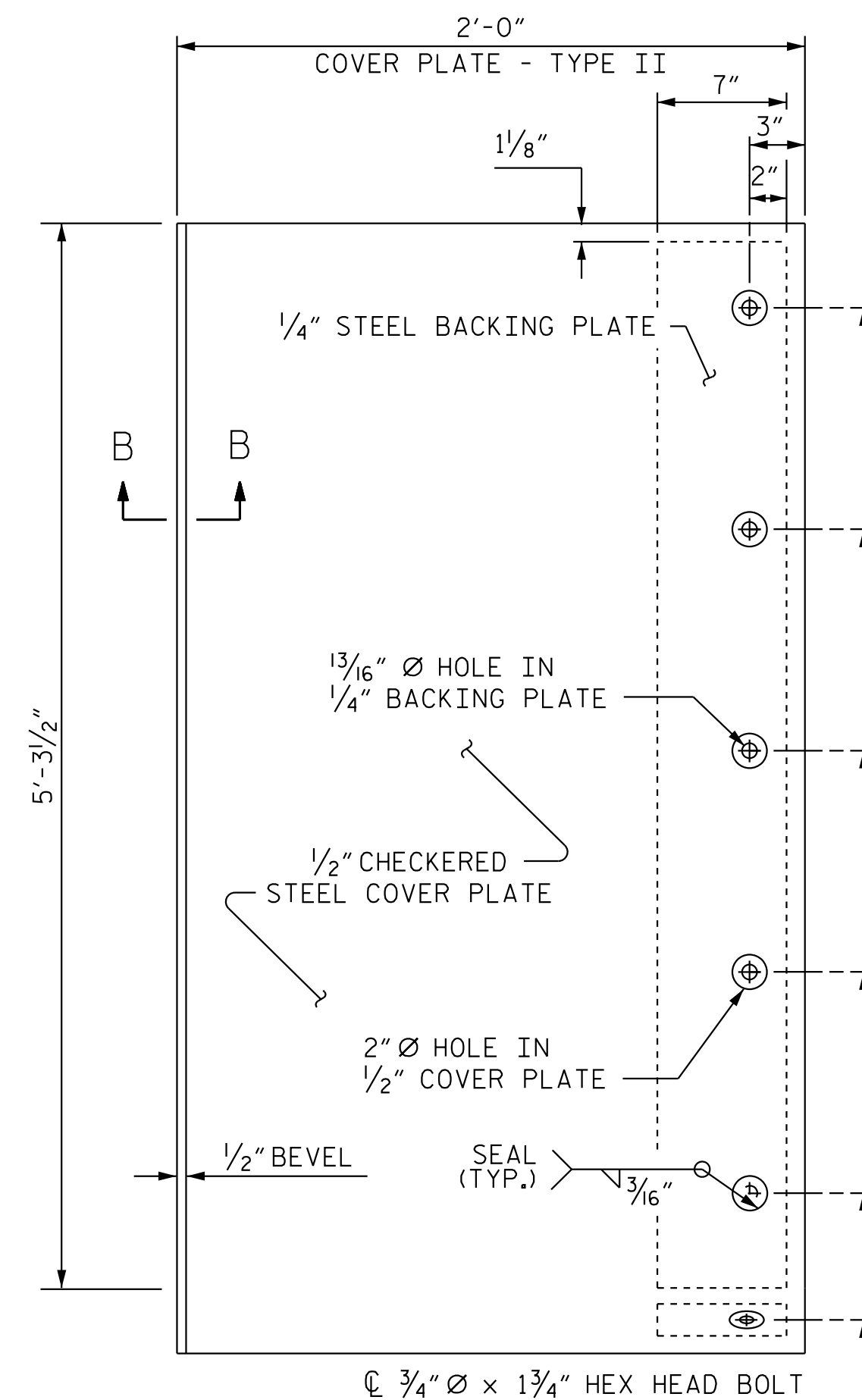


END VIEW
(NORMAL TO SIDEWALK)

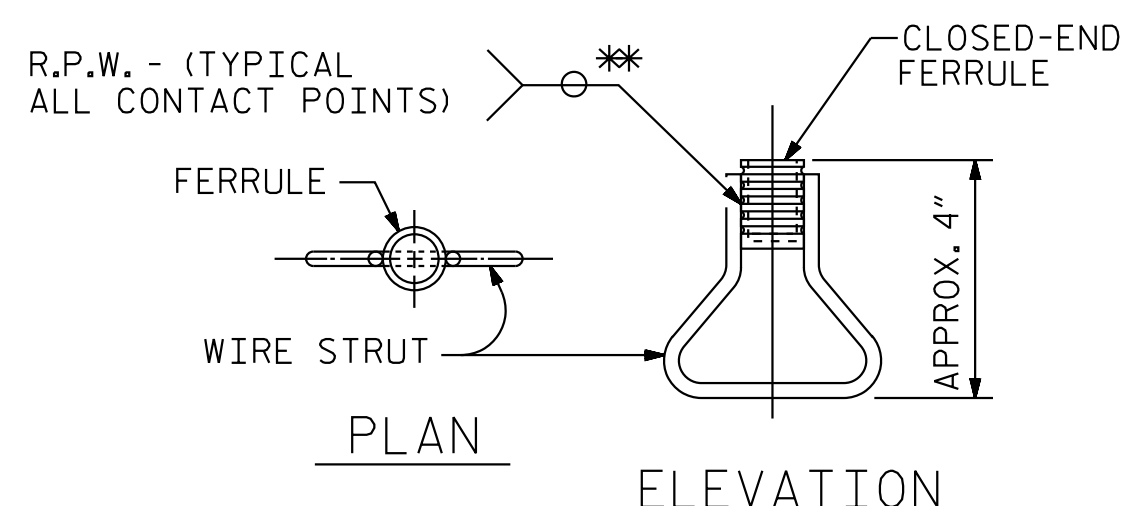
* CONCRETE RECESS DIMENSIONS:

- 1 3/16" FOR THE SIDE OF THE JOINT HAVING THE 1/2" COVER PLATE WITH A 1/4" BACKING PLATE.
- 3/16" FOR THE SIDE OF THE JOINT HAVING ONLY THE 1/2" COVER PLATE.



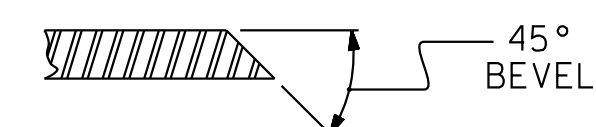
TYPE II - PLAN VIEW

COVER PLATE DETAILS



CONCRETE INSERT

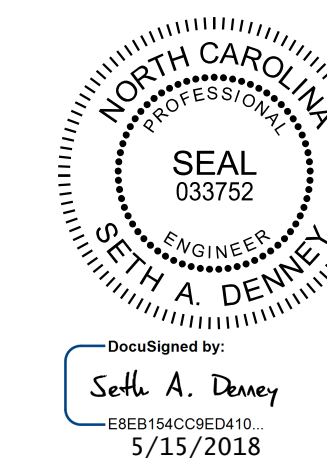
** EACH WELDED ATTACHMENT OF WIRE TO FERRULE SHALL DEVELOP THE TENSILE STRENGTH OF THE WIRE.



SECTION B - B

PROJECT NO. R-3822
HALIFAX COUNTY
 STATION: 99+17.60 -L1-

SHEET 2 OF 4



Kimley-Horn

421 Fayetteville Street, Suite 600
 Raleigh, NC 27601-1772
 Phone (919) 677-2000 NC LICENSE # F-0102

STATE OF NORTH CAROLINA
 DEPARTMENT OF TRANSPORTATION
 RALEIGH

STANDARD
 EXPANSION JOINT
 SEAL DETAILS
 FOR SIDEWALK
 (LEFT SIDE)

REVISIONS						SHEET NO.
NO.	BY:	DATE:	NO.	BY:	DATE:	S-35
1			3			TOTAL SHEETS
2			4			58

**DOCUMENT NOT CONSIDERED FINAL
 UNLESS ALL SIGNATURES COMPLETED**

This document, together with the concepts and designs presented herein, is an integral part of the project. It is not to be used, copied, or reproduced without written authorization and approval by Kimley-Horn and Associates, Inc. shall be without liability to Kimley-Horn and Associates, Inc.
 Copyright Kimley-Horn and Associates, Inc., 2018

ASSEMBLED BY : D. D. LOWERY	DATE : 03/18
CHECKED BY : C. T. POOLE	DATE : 03/18
DRAWN BY : REK 10/87	REV. 5/1/06 TLA/GM
CHECKED BY : CRK 1/88	REV. 10/1/11 MAA/GM
	REV. 12/17 MAA/THC